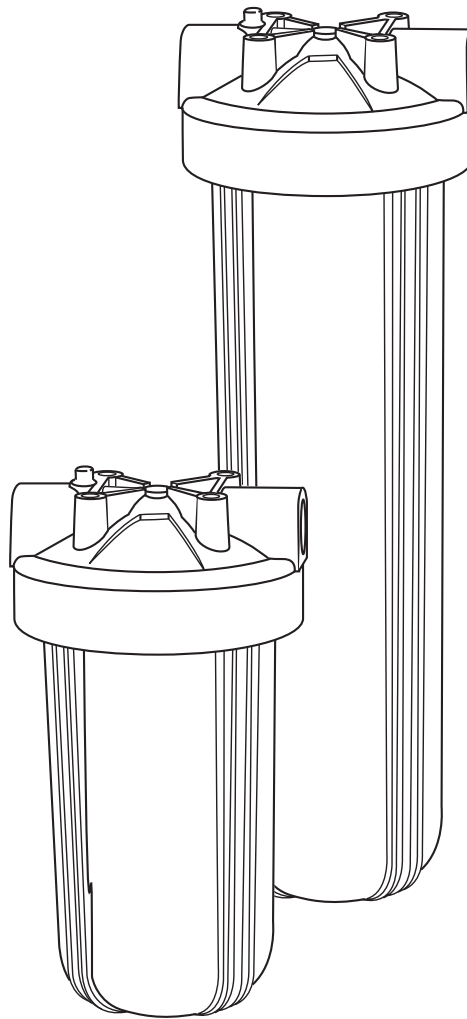


Aqua-Pure[®]

Installation and Operating Instructions For Whole House Water Filters: AP800 Series Models: AP801, AP801-C & AP802



Installer: Please leave manual with homeowner.
Homeowner: For complete information on system operation, maintenance and warranty, please retain Installation and Operating Manual.




3M

SAFETY INFORMATION

Read, understand, and follow all safety information contained in these instructions prior to installation and use of the Aqua-Pure® AP800 Series Whole House Water Filters. Retain these instructions for future reference.

Intended use:

The Aqua-Pure® AP800 Series Whole House Water Filters are intended for use in filtering potable water in homes and have not been evaluated for other uses. These filters are typically installed at the point of entry, and should be installed by qualified professional installers according to these installation instructions.

EXPLANATION OF SIGNAL WORD CONSEQUENCES	
 WARNING	Indicates a potentially hazardous situation, which, if not avoided, could result in death or serious injury and/or property damage.
 CAUTION	Indicates a potentially hazardous situation, which, if not avoided, may result in minor or moderate injury and/or property damage.
CAUTION	Indicates a potentially hazardous situation, which, if not avoided, may result in property damage.
 WARNING	
To reduce the risk associated with choking:	
<ul style="list-style-type: none"> • Do not allow children under 3 years of age to have access to small parts during the installation of this product. 	
To reduce the risk associated with ingestion of contaminants:	
<ul style="list-style-type: none"> • Do not use with water that is microbiologically unsafe or of unknown quality without adequate disinfection before or after the system. 	
To reduce the risk associated with hazardous voltage due to an installer drilling through existing electric wiring or water pipes in the area of installation:	
<ul style="list-style-type: none"> • Do not install near electric wiring or piping which may be in the path of a drilling tool when selecting the position to mount the filter bracket. 	
To reduce the risk of physical injury:	
<ul style="list-style-type: none"> • Shut off inlet water supply and depressurize system as shown in manual prior to cartridge removal. 	
To reduce the risk associated with a hazardous voltage:	
<ul style="list-style-type: none"> • If the home electrical system requires use of the cold water system as an electrical safety ground, a jumper must be used to ensure a sufficient ground connection across the filter installation piping — refer installation to qualified personnel. 	
To reduce the risk associated with back strain:	
<ul style="list-style-type: none"> • Follow safe lifting procedures. 	
CAUTION	
To reduce the risk associated with property damage due to water leakage:	
<ul style="list-style-type: none"> • Read and follow Use Instructions before installation and use of this system. • Installation and use MUST comply with all state and local plumbing codes. • Protect from freezing. Drain filter when temperatures are expected to drop below 40°F (4.4°C). • Do not install systems in areas where ambient temperatures may go above 110° F (43.3° C). • Do not install if water pressure exceeds 100 psi (690 kPa). If your water pressure exceeds 80 psi (552 kPa), you must install a pressure limiting valve. Contact a plumbing professional if you are uncertain how to check your water pressure. • Do not install where water hammer conditions may occur. If water hammer conditions exist you must install a water hammer arrester. Contact a plumbing professional if you are uncertain how to check for this condition. • Where a backflow prevention device is installed on a water system, a device for controlling pressure due to thermal expansion must be installed. • Do not install on hot water supply lines. The maximum operating water temperature of this system is 100°F (37.8°C). • Do not use a torch or other high temperature sources near system, cartridges, plastic fittings or plastic plumbing. • On plastic fittings, never use pipe sealant or pipe dope. Use PTFE thread tape only, pipe dope properties may deteriorate plastic. • Take care when using pliers or pipe wrenches to tighten plastic fittings, as damage may occur if over tightening occurs. • Do not install in direct sunlight or outdoors. • Do not install near water pipes which will be in path of a drilling tool when selecting the position to mount the bracket. • Mount system in such a position as to prevent it from being struck by other items used in the area of installation. • Ensure that the location and fasteners will support the weight of the system when installed and full of water. • Ensure all tubing and fittings are secure and free of leaks. • SHUT OFF FUEL OR ELECTRIC POWER SUPPLY TO WATER HEATER after water is shut off. • The disposable cartridge must be replaced every 6 months, at the rated capacity or sooner if a noticeable reduction in flow rate occurs. 	
IMPORTANT NOTES	
<ul style="list-style-type: none"> • Failure to follow instructions will void warranty. • Allow a minimum of 2" (5.1 cm) clear space under filter to facilitate cartridge change. • Install with the inlet and outlet ports as labeled. Make sure not to reverse connections. • Some local codes may require the use of a licensed plumber or certified installer when disrupting a potable water line. • Before starting installation, shut off main water supply and drain pipes. 	

GETTING STARTED

Assembly schematic is based on suggested materials. Assembly of this filter can be modified by using various adapters.

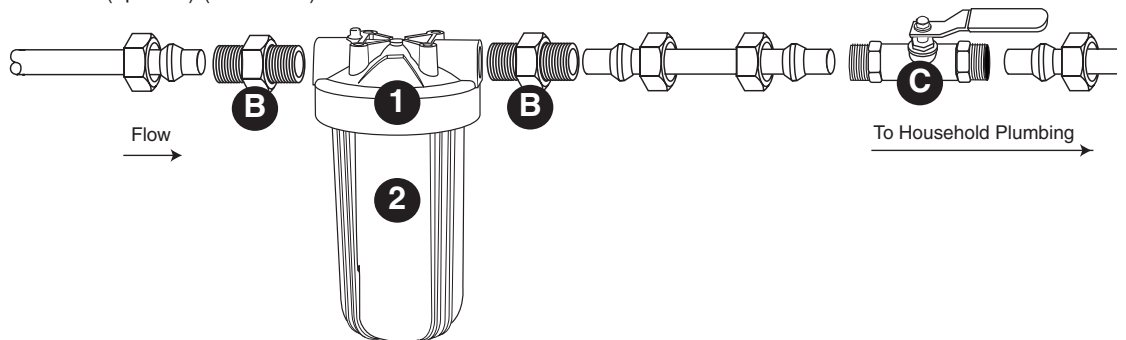
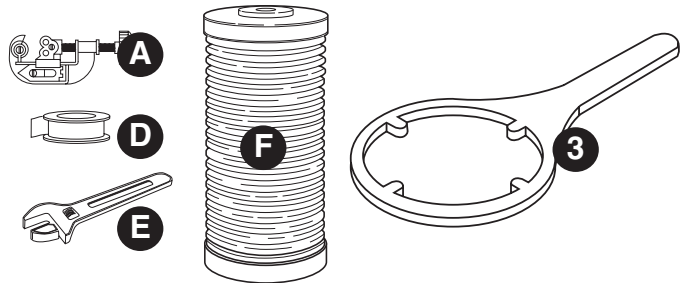
Parts and Materials Included:

- 1) Filter Head
- 2) Housing
- 3) Housing Wrench
- 4) Mounting Bracket (AP801-C model only)

Tools and Materials Required (not included):

Gather the required tools before starting installation. Read and follow the instructions provided with any tools listed here.

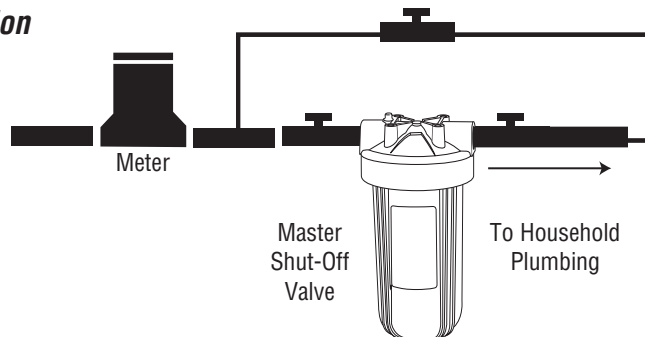
- A) Pipe Cutter
- B) Two 1" Male Compression Adapters
- C) 1" Ball Valve (Compression Type)
- D) PTFE Tape
- E) Adjustable Wrench
- F) Aqua-Pure filter cartridge (Included with AP801-C model only) (see page 5 for options)
- G) Ground Kit (optional) (not shown)



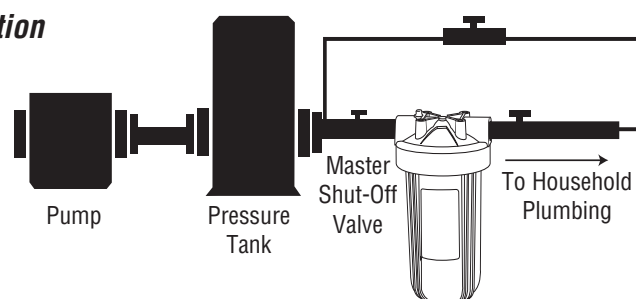
CAUTION

- To reduce the risk associated with property damage due to water leakage:
- Installation and Use **MUST** comply with all state and local plumbing codes.

City Water Installation



Well Water Installation



IMPORTANT INSTALLATION INSTRUCTIONS

1. Shut off main water supply. Drain water from water lines.
2. Remove housing from filter head and set aside.
3. Wrap PTFE tape around the 1" male compression adaptors (to the right, see Figure 1) and screw firmly to filter head. **Do not use pipe solvent (dope) as some types may cause damage to plastic fittings. Do not overtighten as it may cause damage to filter head. Damage to unit may result in property damage due to water leakage.**
4. Calculate proper spacing of components. Measure distance and mark pipe accordingly.
5. Cut pipe to length with pipe cutter.
6. Fit filter head and ball shut-off valve onto pipe. Make sure the "IN" port with red air release button is connected to water supply line. Tighten compression nuts.
7. Remove o-ring from housing. Lubricate with a water based lubricant and seat securely on housing.
8. Place filter into housing. Screw housing with filter onto head.
9. Slowly turn on main water supply. Press red air release button (on filter head) to expel air.
10. Check for leaks then turn water with an open faucet for 5 minutes or until air is flushed from system.

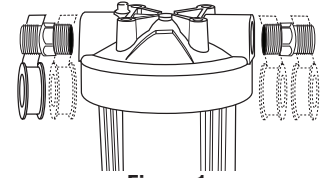


Figure 1

WARNING

To reduce the risk associated with hazardous voltage:

- If the home electrical system requires use of the cold water system as an electrical safety ground, a jumper **must** be used to ensure a sufficient ground connection across the filter installation piping — refer installation to qualified personnel. (see Figure 2)

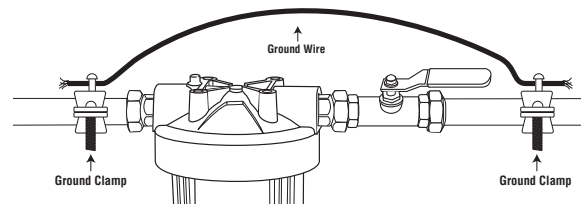


Figure 2

CAUTION

To reduce the risk associated with property damage due to water leakage:

- **Read and follow** Use Instructions before installation and use of this system.
- Installation and use **MUST** comply with all state and local plumbing codes.
- **Protect from freezing**, remove filter cartridge when temperatures are expected to drop below 40°F (4.4°C).
- **SHUT OFF FUEL OR ELECTRIC POWER SUPPLY TO WATER HEATER** after water is shut off.

FILTER CARTRIDGE REPLACEMENT INSTRUCTIONS

CAUTION

To reduce the risk associated with property damage due to water leakage:

- The disposable cartridge must be replaced every 6 months, at the rated capacity or sooner if a noticeable reduction in flow rate occurs.

The contaminants or other substances reduced by this water filter are not necessarily in all user's water.

Filter life depends on local water conditions and the volume of water used. We recommend you change your filter as prescribed by the filter documentation. However, it can be replaced earlier if there is a drop in water pressure.

You can use a variety of filters with these housings: AP810, AP811, AP814, AP810-2, AP811-2 and AP814-2 for sediment and rust; AP817, AP817-2 for Sediment, Chlorine Taste & Odor.

NOTE: Before changing cartridge, turn off water supply. Place a bucket under filter to catch the small amount of water that will run out after housing removal.

1. Close shut-off valve after filter head.
2. Relieve pressure in filter housing by pushing red vent button.
3. Unscrew housing to the left using housing wrench supplied with the product. and remove old cartridge. Wash housing thoroughly with mild soap and water.
4. Lubricate o-ring with a water based lubricant.
5. Insert new cartridge and re-install housing using housing wrench supplied with the product. Be sure cartridge and o-ring are seated in the housing before tightening onto head.
6. Open main shut-off valve and check for leaks. If any leaks appear, tighten housing as needed with housing wrench supplied with the product. Open shut-off valve after filter head.
7. Flush system for five (5) minutes.

AP800 Series Replacement Cartridge Options

Sediment Model	Load	Nominal Micron Rating	Application		Max. Flow Rate
			Sediment/Rust	Chlorine Taste & Odor	
AP810, AP810-2	Normal	5	•		28 gpm (106 lpm)
AP811, AP811-2	Medium	25	•		28 gpm (106 lpm)
AP814, AP814-2	Heavy	50	•		28 gpm (106 lpm)
AP817, AP817-2	Normal	25	•	•	10 gpm (38 lpm)

TROUBLESHOOTING GUIDE

Water Leaks at Fittings:

Tighten slightly until leak stops.

If Leaks Persist:

Shut off water at the main water supply shut-off valve, remove threaded fittings, reapply PTFE tape in a clockwise direction (to the right) and screw back onto head assembly.

LIMITED WARRANTY

3M Purification Inc. warrants this Product will be free from defects in material and manufacture for ten (10) years from the date of purchase. The filter cartridge or filter membrane is warranted to be free from defects in material and manufacture for one (1) year. This warranty does not cover failures resulting from abuse, misuse, alteration or damage not caused by 3M Purification Inc. or failure to follow installation and use instructions. No warranty is given as to the service life of any filter cartridge or membrane as it will vary with local water conditions and water consumption. **3M PURIFICATION INC. MAKES NO OTHER WARRANTIES OR CONDITIONS, EXPRESS OR IMPLIED, INCLUDING, BUT NOT LIMITED TO, ANY IMPLIED WARRANTY OR CONDITION OF MERCHANTABILITY OR FITNESS FOR A PARTICULAR PURPOSE OR ANY IMPLIED WARRANTY OR CONDITION ARISING OUT OF A COURSE OF DEALING, CUSTOMER OR USAGE OF TRADE.** If the Product fails to satisfy this Limited Warranty during the warranty period, 3M Purification Inc. will, at 3M Purification Inc.'s option, replace the Product or refund your Product purchase price. This warranty does not cover labor. **The remedy stated in this paragraph is Customer's sole remedy and 3M Purification Inc.'s exclusive obligation. For additional information, please call 1-800-222-7880.**

This warranty gives you specific legal rights, and you may have other rights which may vary from state to state or country to country. For any warranty questions, please call 1-800-222-7880 or mail your request to: Warranty Claims, 3M Purification Inc., 400 Research Parkway, Meriden, CT 06450. Proof of purchase (original sales receipt) must accompany the warranty claim, along with a complete description of the Product, model number and alleged defect.


Limitation of Liability. 3M Purification Inc. will not be liable for any loss or damage arising from this 3M Purification Inc. product, whether direct, indirect, special, incidental, or consequential, regardless of the legal theory asserted, including warranty, contract, negligence or strict liability. Some states and countries do not allow the exclusion or limitation of incidental or consequential damages, so the above limitation or exclusion may not apply to you.

INFORMACIÓN DE SEGURIDAD

Lea, entienda y observe toda la información de seguridad que se incluye en estas instrucciones antes de instalar y usar los filtros de Aqua-Pure®. Retenga estas instrucciones como referencia futura.

Uso previsto:

Los filtros para toda la casa Series AP800 deben usarse en el filtrado de agua potable en viviendas y no han sido evaluados para otros usos. Estos filtros se instalan generalmente en el lugar de entrada y deberán ser instalados por profesionales calificados según estas instrucciones de instalación.

EXPLICACIÓN DE LAS CONSECUENCIAS DE LAS PALABRAS INDICADORAS	
 ADVERTENCIA	Indica una situación peligrosa potencial, la cual, si no se evita, podría resultar en una lesión seria o la muerte y/o daño a la propiedad.
PRECAUCIÓN	Indica una situación peligrosa potencial, la cual, si no se evita, podría resultar en daños a la propiedad.

ADVERTENCIA

Para reducir el riesgo asociado con la asfixia:

- No permita que los niños de menos de 3 años tengan acceso a las piezas pequeñas durante la instalación de este producto.

Para reducir el riesgo asociado con la ingesta de contaminantes:

- No utilice el producto con agua que no sea segura desde el punto de vista microbiológico o que sea de dudosa calidad sin una desinfección adecuada antes o después del sistema.

Para reducir el riesgo asociado con voltajes peligrosos que se presenten por taladrar cableado eléctrico existente o tuberías de agua en el área de la instalación:

- No instale el producto cerca de cableado eléctrico o de tuberías que puedan estar en el camino del taladro al instalar el soporte del filtro.

Para reducir el riesgo de lesiones personales:

- Cierre el paso de agua de entrada y despresurice el sistema como se muestra en el manual antes de quitar el cartucho.

Para reducir el riesgo asociado con un voltaje peligroso:

- Si el sistema eléctrico doméstico requiere el uso del sistema de agua fría como masa eléctrica, debe usarse un puente para proveer una conexión a tierra suficiente a través de las tuberías usadas para la instalación del filtro; asesórese con personal calificado.

Para reducir el riesgo asociado con lesiones en la espalda:

- Siga las instrucciones para levantar las cosas de manera segura.

PRECAUCIÓN

Para reducir el riesgo asociado con los daños materiales debidos a fugas de agua:

- **Lea y siga** todas las Instrucciones de uso antes de instalar y usar este sistema.
- La instalación y el uso **DEBEN** cumplir con todos los códigos de plomería locales y estatales.
- **Cuide que el producto no se congele.** Drene el filtro cuando se esperen temperaturas por debajo de 4,4 °C (40 °F).
- **No instale** los sistemas en lugares donde la temperatura ambiente pueda superar los 43,3 °C (110 °F).
- **No instale** el producto si la presión de agua es mayor a 100 psi (690 kPa). Si la presión de agua es mayor a 80 psi (552 kPa), **debe** instalar una válvula limitadora de presión. Póngase en contacto con un plomero profesional si no está seguro de cómo medir la presión de agua.
- **No instale** el producto en lugares donde puedan provocarse golpes de ariete. Si existen las condiciones para que se produzca un golpe de ariete, debe instalar un supresor de golpes de ariete. Póngase en contacto con un plomero profesional si no está seguro de cómo identificar esta situación.
- Si hay un dispositivo contra reflujo instalado en el sistema de agua, deberá instalar también un dispositivo para controlar la presión debida a la expansión térmica.
- **No instale el producto en líneas de agua caliente.** La temperatura máxima del agua para el funcionamiento del sistema es de 37,8 °C (100 °F).
- **No utilice** un soplete u otras fuentes de altas temperaturas cerca del sistema, los cartuchos, los acoplamientos plásticos o las tuberías plásticas.
- Nunca utilice sellador para tuberías o grasa para rosca de cañerías en los acoplamientos plásticos. Utilice únicamente cinta PTFE para sellar tuberías, las propiedades de la grasa pueden deteriorar el plástico.
- Tenga cuidado al usar alicates o llaves para tuberías a la hora de ajustar los acoplamientos plásticos, porque pueden dañarse si las ajusta en exceso.
- **No instale** el producto en lugares donde le de el sol directamente ni al aire libre.
- **No instale** el producto cerca de tuberías de agua que vayan a estar en el camino del taladro al instalar el soporte.
- Instale el sistema en una posición tal que no sea golpeado por otros artículos utilizados en el área de instalación.
- Asegúrese de que la ubicación y los sujetadores puedan soportar el peso del sistema cuando esté instalado y lleno de agua.
- **Asegúrese** de que todas las tuberías y accesorios se encuentren seguros y libres de fugas.
- **CIERRE LA ALIMENTACIÓN DE COMBUSTIBLE O ELECTRICIDAD A LA CALDERA** luego de cerrar el paso de agua.
- El cartucho del filtro descartable se debe cambiar cada 6 meses, cuando se alcance la capacidad especificada o antes si nota que el caudal se ha reducido notablemente.

NOTIFICACIÓN IMPORTANTE

- No observar las instrucciones podría cancelar la garantía.
- Deje un espacio libre mínimo de 5 cm (2") debajo del filtro para facilitar el cambio del cartucho.
- Instálolo con los puertos de entrada y salida como se indican. Asegúrese de no invertir las conexiones.
- Algunos códigos locales podrían requerir el uso de un plomero con licencia o instalador certificado cuando se afecta una línea de agua potable.
- Antes de comenzar la instalación, cierre la válvula principal de entrada de agua y drene los tubos.

PARA COMENZAR

El esquema de armado se basa en los materiales sugeridos. El armado de este filtro puede modificarse usando distintos adaptadores.

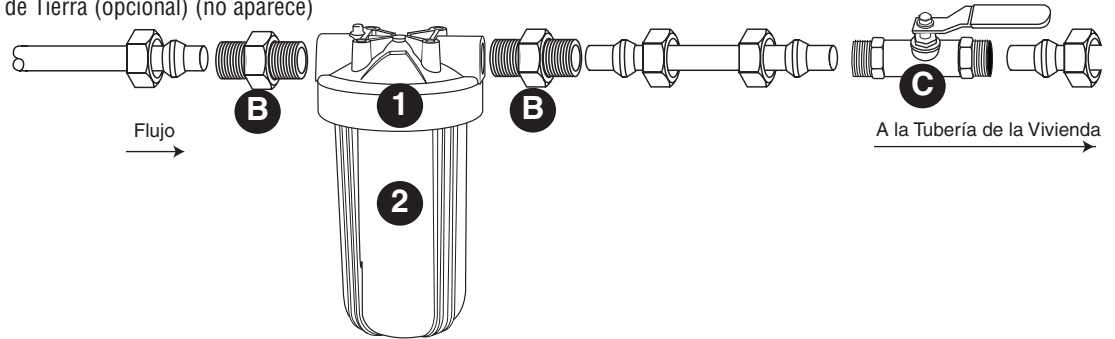
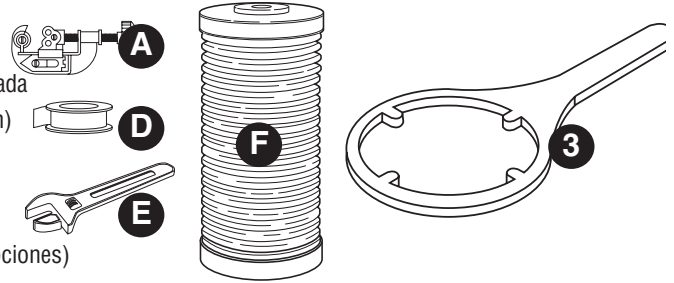
Piezas y materiales incluidos:

- 1) Cabezal del filtro
- 2) Armazón
- 3) Llave de armazón
- 4) Soporte de montaje (modelo AP801-C únicamente)

Herramientas y materiales requeridos (no se incluyen):

Prepare todas las herramientas requeridas antes de comenzar la instalación. Lea y observe todas las instrucciones provistas con las herramientas listadas aquí.

- A) Cortador de tubos
- B) Dos adaptadores de compresión macho de 1 pulgada
- C) Válvula tipo bola de 1 pulgada (tipo de compresión)
- D) Cinta PTFE
- E) Llave de ajuste
- F) Filtro de Aqua-Pure (Se incluye con modelo AP801-C únicamente) (Véase en la página 9 para opciones)
- G) Kit de Tierra (opcional) (no aparece)

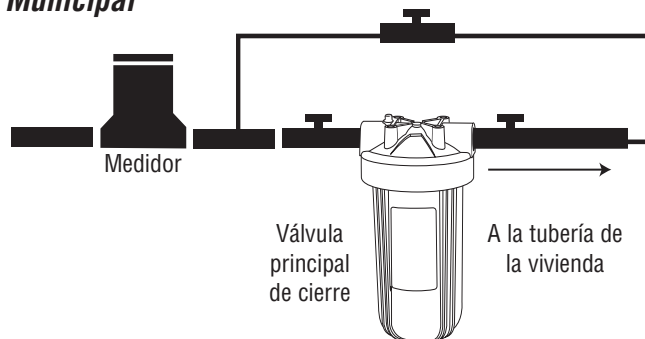


PRECAUCIÓN

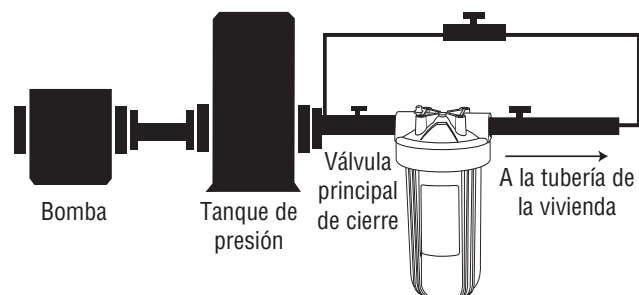
Para reducir el riesgo asociado con el daño a la propiedad debido a pérdidas de agua:

- La instalación y Uso DEBE cumplir con los códigos de plomería existentes locales y estatales.

Instalación en Agua Municipal



Instalación en Agua de Pozo



IMPORTANTE INSTRUCCIONES PARA LA INSTALACIÓN

1. Cierre la entrada principal de agua. Drene el agua de las líneas.
2. Saque el armazón del cabezal del filtro y póngalo aparte.
3. **Coloque cinta PTFE alrededor de los adaptadores machos de compresión de 1 pulg. (a la derecha, vea la Figura 1) y enrósquelos con firmeza al cabezal del filtro. No use solvente para tuberías (compuestos lubricantes) ya que ciertos tipos podrían causar daños a los accesorios de plástico. No los apriete demasiado ya que podría causar daños al cabezal del filtro. Daños a la unidad podría resultar en daños a la propiedad debido a la pérdida de agua.**
4. Calcule el espacio correcto de los componentes. Mida la distancia y marque el tubo según la misma.
5. Corte la longitud de tubo que necesita con el cortador de tubo.
6. Ponga el cabezal del filtro y la válvula de cierre tipo bola en el tubo. Asegúrese de que el puerto de "ENTRADA" (IN) con el botón rojo de liberación del aire esté conectado a la línea de suministro del agua. Ajuste las tuercas de compresión. (Vea la Figura 3)..
7. Saque la junta tórica del armazón. Lubríquelo con lubricante a base de agua y asíntelo firmemente en la carcasa.
8. Ponga el filtro en el armazón. Enrosque el armazón con el filtro en el cabezal.
9. Abra lentamente la entrada principal de agua. Oprima el botón rojo de liberación del aire (en el cabezal del filtro) para eliminar el aire.
10. Verifique si hay pérdidas y luego haga correr el agua a través de un grifo abierto durante 5 minutos o hasta que se haya eliminado el aire del sistema.

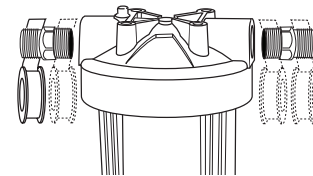


Figura 1

ADVERTENCIA

Para reducir el riesgo asociado con voltajes peligrosos que se presenten por taladrar cableado eléctrico existente o tuberías de agua en el área de la instalación:

- No instale el producto cerca de cableado eléctrico o de tuberías que puedan estar en el camino del taladro al instalar el soporte del filtro.

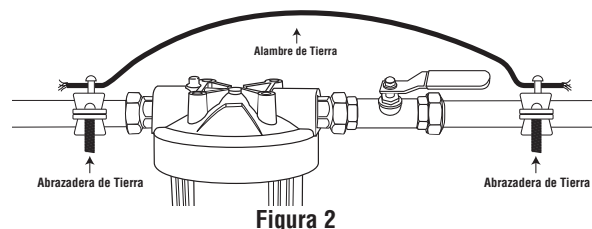


Figura 2

PRECAUCIÓN

Para reducir el riesgo asociado con los daños materiales debidos a fugas de agua:

- **Lea y siga** todas las Instrucciones de uso antes de instalar y usar este sistema.
- La instalación y el uso **DEBEN** cumplir con todos los códigos de plomería locales y estatales.
- **Cuide que el producto no se congele.** Drene el filtro cuando se esperen temperaturas por debajo de 4,4 °C (40 °F).
- **CIERRE LA ALIMENTACIÓN DE COMBUSTIBLE O ELECTRICIDAD A LA CALDERA** luego de cerrar el paso de agua.

INSTRUCCIONES PARA CAMBIAR EL CARTUCHO DEL FILTRO

PRECAUCIÓN

Para reducir el riesgo asociado con el daño a la propiedad debido a pérdidas de agua:

- El cartucho desechable del filtro debe cambiarse cada seis meses o según el ciclo de servicio especificado.

Los contaminantes u otras sustancias eliminadas o reducidas por este filtro de agua no están necesariamente en el agua de todos los usuarios.

La vida útil del filtro depende de la condición del agua local y el volumen de agua que se use. Le recomendamos que cambie el filtro según lo indica la documentación del filtro. Sin embargo, puede cambiarlo antes si observa una caída en la presión del agua.

Puede usar una variedad de filtros con este armazón: AP810, AP811, AP814, AP810-2, AP811-2 y AP814-2 para sedimento y herrumbre; AP817 y AP817-2 para sedimento, gusto y olor a cloro.

NOTA: Antes de cambiar el cartucho, cierre la entrada de agua. Ponga un balde debajo del filtro para agarrar la pequeña cantidad de agua que saldrá luego de sacar el armazón.

1. Cierre la válvula de cierre después del cabezal del filtro.
2. Libere la presión en el armazón del filtro empujando el botón rojo de ventilación.
3. Desatornille la carcasa hacia la izquierda con la llave que se provee con el producto y quite el cartucho viejo. Lave la carcasa a fondo con jabón neutro y agua.
4. Lubrique la junta tórica con un lubricante a base de agua.
5. Inserte el nuevo cartucho y vuelva a instalar el armazón. Asegúrese de que el cartucho y la junta tórica estén asentados en el armazón antes de apretarlo en el cabezal.
6. Abra la válvula principal de cierre y verifique si hay pérdidas de agua. Si aparece alguna pérdida, apriete el armazón lo necesario. Cierre la válvula de cierre después del cabezal del filtro.
7. Purgue el sistema durante cinco minutos.

Opciones en cartuchos de repuestos serie AP800

Modelo para sedimentos	Carga	Capacidad de filtración nominal en micrones	Aplicación		Caudal máximo
			Sedimento/óxido	Sabor y olor a cloro	
AP810, AP810-2	Normal	5	•		28 gpm (106 lpm)
AP811, AP811-2	Mediano	25	•		28 gpm (106 lpm)
AP814, AP814-2	Pesado	50	•		28 gpm (106 lpm)
AP817, AP817-2	Normal	25	•	•	10 gpm (38 lpm)

GUÍA DE DESPERFECTOS

Pérdidas de agua en los accesorios:

Apriételos un poco más hasta que la pérdida se detenga.

Si las pérdidas persisten:

Corte la entrada de agua desde la válvula principal de cierre del suministro de agua a la casa, saque los accesorios con rosca, vuelva a poner cinta de PTFE en la dirección de las agujas del reloj (hacia la derecha) y vuelva a enrosarlos en el ensamblaje del cabezal.

GARANTÍA LIMITADA

3M Purification Inc. garantiza que el cabezal de acero inoxidable (sin incluir los cartuchos de filtro desechables) estará libre de defectos en los materiales y la mano de obra durante diez (10) años desde la fecha de compra. Esta garantía no cubre las fallas originadas por el abuso, el uso inadecuado, la alteración o el daño no ocasionado por 3M Purification Inc. o por el incumplimiento de las instrucciones de instalación y uso. No se ofrece ninguna garantía en lo referido a la vida útil de cualquier cartucho o membrana del filtro, dado que ésta variará según las condiciones del agua local y el consumo de agua. **3M Purification Inc. NO OTORGA OTRAS GARANTÍAS NI CONDICIONES, EXPRESAS NI IMPLÍCITAS, INCLUYENDO, PERO NO LIMITANDO, CUALQUIER GARANTÍA IMPLÍCITA O CONDICIÓN DE COMERCIABILIDAD O DE APTITUD PARA UN PROPÓSITO EN PARTICULAR O PARA CUALQUIER GARANTÍA IMPLÍCITA O CONDICIÓN EMERGENTE DEL CURSO DE UNA TRANSACCIÓN, COSTUMBRE O USO COMERCIAL.** Si el producto no satisface esta Garantía limitada durante el período de la garantía, 3M Purification Inc., a su discreción, reemplazará el producto o reembolsará el precio de compra de su producto. Esta garantía no cubre la mano de obra. **El recurso que se manifiesta en este párrafo es un recurso único del cliente y una cláusula de exclusividad de 3M Purification Inc.**

Esta garantía le otorga derechos legales específicos y es posible que usted cuente con otros derechos que pueden variar según el estado o país. Si tiene preguntas relacionadas con la garantía, llame al 1-800-222-7880 o envíe su solicitud por correo postal a: Warranty Claims, 3M Purification Inc., 400 Research Parkway, Meriden, CT 06450. El comprobante de compra (recibo de venta original) deberá acompañar al reclamo de garantía, junto con una descripción completa del producto, el número del modelo y el supuesto defecto.


Responsabilidad Limitada. 3M Purification Inc. no será responsable de pérdidas o daños causados por este producto, tanto directos como indirectos, especiales, accidentales o derivados, independientemente de los fundamentos legales aplicados, incluyendo garantía, contrato, negligencia o responsabilidad estricta. Algunos estados y países no permiten la exclusión o la limitación de daños accidentales o derivados; en consecuencia, la limitación o la exclusión antes mencionada puede no aplicarse a su caso.

CONSIGNES DE SÉCURITÉ

Avant d'installer et d'utiliser les filtres d'eau Aqua-Pure®, s'assurer de lire, comprendre et suivre toutes les consignes de sécurité que renferme ce mode d'emploi. Conserver ce mode d'emploi pour consultation future.

Intended use:

Les filtres Série AP800 pour toute la maison sont destinés à filtrer l'eau potable à la maison; ils n'ont pas été évalués pour d'autres utilisations. Ces filtres sont généralement installés à l'entrée d'eau, et doivent être mis en place par un installateur qualifié en respectant ces directives d'installation.

EXPLICATION DES CONSÉQUENCES LIÉES AUX MOTS INDICATEURS	
 MISE EN GARDE	Indique une situation potentiellement dangereuse qui, si elle n'est pas évitée, pourrait entraîner la mort, des blessures graves et des dégâts matériels.
AVERTISSEMENT	Indique une situation potentiellement dangereuse qui, si elle n'est pas évitée, pourrait occasionner des dégâts matériels.

MISE EN GARDE

Pour réduire les risques associés à la suffocation :

- Interdire l'accès aux petites pièces aux enfants de moins de 3 ans pendant l'installation de ce produit.

Pour réduire les risques associés à l'ingestion de contaminants :

- Ne pas utiliser avec de l'eau présentant des dangers de contamination microbiologique ou de qualité inconnue sans la désinfecter adéquatement en amont ou en aval du système.

Pour réduire les risques associés aux tensions dangereuses causées par le perçage à travers du filage électrique ou des conduites d'eau présentes dans la zone d'installation :

- Ne pas installer à proximité de filage électrique ou de conduites d'eau pouvant se trouver dans le chemin d'un outil de perçage lors du choix de l'emplacement du support du filtre.

Pour réduire les risques de blessures :

- Avant de retirer la cartouche, fermer l'approvisionnement en eau et dépressuriser le système tel que décrit dans le manuel d'utilisation.

Pour réduire les risques associés aux tensions dangereuses :

- Si le système électrique domestique nécessite l'utilisation d'un système à eau froide comme mise à la terre, un cavalier doit être utilisé pour assurer une mise à la terre suffisante lors de l'installation du tuyau de filtration - communiquer avec un technicien qualifié.

Mesures pour réduire les risques associés aux douleurs au dos :

- Soulever l'appareil de façon sécuritaire.

AVERTISSEMENT

Pour réduire les risques associés aux dommages à la propriété occasionnés par les fuites d'eau :

- Lire et suivre toutes les instructions d'utilisation avant l'installation et l'utilisation de ce système.
- L'installation et l'utilisation **DOIVENT** être conformes aux codes de la plomberie nationaux et provinciaux.
- **Protéger du gel.** Purger le filtre lorsque les prévisions météorologiques prévoient que la température passera sous la barre des 4,4 °C (40 °F).
- **Ne pas** installer ces systèmes dans des endroits où la température ambiante peut être supérieure à 43,3 °C (110 °F).
- **Ne pas** installer si la pression d'eau est supérieure à 100 psi (690 kPa). L'installation d'un limiteur de pression est obligatoire si la pression d'eau est supérieure à 80 psi (552 kPa). Communiquer avec un plombier professionnel pour toute incertitude concernant la vérification de votre pression d'eau.
- **Ne pas** installer sur une tuyauterie sujette aux coups de bélier. Un dispositif antibélier doit être installé s'il existe des conditions sujettes aux coups de bélier. Communiquer avec un plombier professionnel pour toute incertitude concernant cette situation.
- Lorsqu'un dispositif de prévention de retour d'eau est installé sur un réseau d'alimentation en eau, la dilatation thermique doit être réglée par l'installation d'un dispositif de réglage de pression.
- **Ne pas installer sur des conduites d'alimentation d'eau chaude.** La température maximale de l'eau pour le fonctionnement de ce système est de 37,8 °C (100 °F).
- **Ne pas** utiliser de torche ou toute autre source de température élevée à proximité du système, des cartouches, des raccords en plastique ou des matériaux de plomberie faits de plastique.
- Ne jamais utiliser de scellant ou d'enduit d'enrobage à tuyaux sur les raccords en plastique. N'utiliser que du ruban tissé en PTFE, car les enduits d'enrobage à tuyaux risquent d'endommager le plastique.
- Faire bien attention lors de l'utilisation de pinces ou de clés à tuyaux pour resserrer les raccords en plastique. Un serrage excessif risque de causer des dommages.
- **Ne pas** installer à la lumière directe du soleil ou à l'extérieur.
- **Ne pas** l'installer près de conduites d'eau pouvant se trouver dans le chemin d'un outil de perçage lors du choix de l'emplacement du support.
- Monter le système de manière à éviter tout contact avec d'autres outils utilisés dans la zone d'installation.
- S'assurer que l'emplacement et les pièces de fixation pourront supporter le poids du système une fois celui-ci installé et rempli d'eau.
- **S'assurer** que tous les tubes et les raccords sont sécurisés et ne fuient pas.
- COUPER L'ALIMENTATION EN ÉLECTRICITÉ OU EN CARBURANT DU CHAUFFE-EAU après avoir coupé l'approvisionnement en eau.
- La cartouche jetable doit être remplacée tous les 6 mois, selon le débit nominal ou avant, si une diminution perceptible du débit survient.

REMARQUES IMPORTANTES

- Ne pas se conformer à ces directives pourrait annuler la garantie.
- Laisser un espace libre d'au moins 5,1 cm sous le filtre pour faciliter le remplacement de la cartouche.
- Installer avec les orifices d'entrée et de sortie aux endroits indiqués sur l'étiquette. S'assurer de ne pas intervertir les raccordements.
- Certains codes de plomberie locaux peuvent exiger de faire appel à un plombier ou installateur autorisé pour tous les travaux effectués sur une canalisation d'alimentation en eau potable.
- Avant de commencer l'installation, couper l'alimentation principale et vidanger les tuyaux.

DÉMARRAGE

Le schéma de montage se base sur les matériaux suggérés. Le montage de ce filtre peut être modifié en utilisant divers adaptateurs.

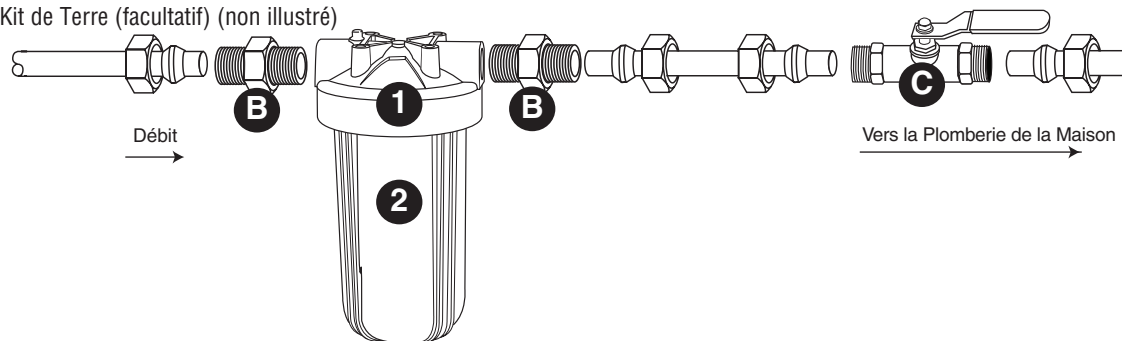
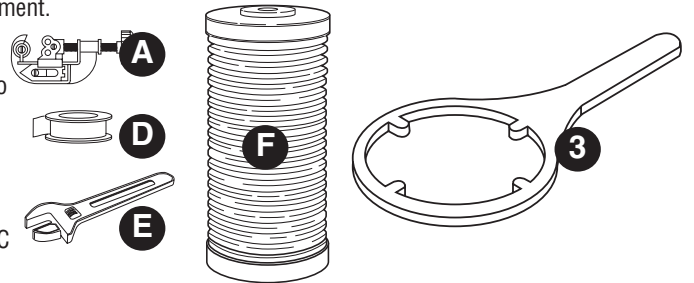
Pièces et matériel inclus:

- 1) Module de tête du filtre
- 2) Boîtier
- 3) Clé à boîtier
- 4) Support de fixation (modèle AP801-C seulement)

Outils et fournitures nécessaires (non compris):

Il est recommandé de rassembler tous les outils avant l'installation. Lire et respecter les directives fournies par le fabricant de tous les outils mentionnés dans ce document.

- A) Coupe-tuyau
- B) Deux adaptateurs mâles à compression de 1 po
- C) Clapet à bille de 1 po (à compression)
- D) Ruban de PTFE
- E) Clé réglable
- F) Filtre d'eau Aqua-Pure (Offert modèle AP801-C seulement) (Voir la page 13 pour les options)
- G) Kit de Terre (facultatif) (non illustré)

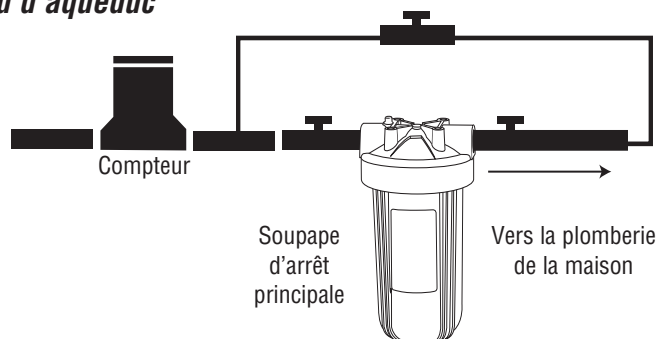


AVERTISSEMENT

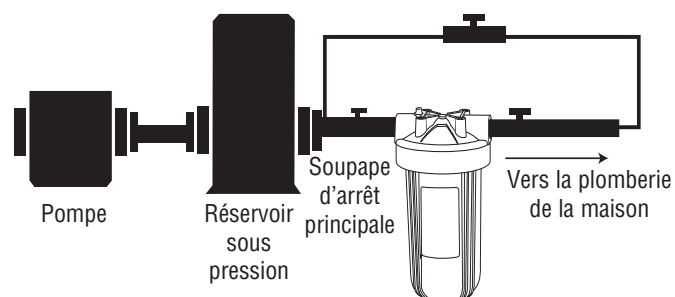
Afin de réduire les risques de dommages matériels associés aux fuites d'eau:

- L'installation et L'utilisation DOIT être conforme aux codes d'État et de plomberie en vigueur.

Installation avec eau d'aqueduc



Installation avec eau de puits



IMPORTANT DIRECTIVES D'INSTALLATION

1. Couper l'alimentation en eau principale. Évacuer l'eau des tuyaux.
2. Retirer le boîtier de la tête du filtre et mettre de côté.
3. **Enrouler le ruban de PTFE autour de l'adaptateur de compression mâle de 1 po (à droite, vous référer à la Figure 1) et visser adéquatement à la tête du filtre. Ne pas utiliser de garniture d'étanchéité (enduit d'enrobage), car certains types peuvent endommager les raccords de plastique. Ne pas trop serrer car cela peut endommager la tête du filtre. Un système endommagé peut occasionner des dommages matériels associés aux fuites d'eau.**
4. Calculer l'espace nécessaire entre les composants. Placer au niveau, mesurer et marquer l'emplacement des attaches murales.
5. Couper le tuyau de la bonne longueur à l'aide d'un coupe-tuyau.
6. Raccorder la tête de filtre et la soupape à bille au tuyau. S'assurer que l'ouverture d'ENTRÉE, avec le bouton de décompression rouge, est raccordée à la canalisation d'alimentation. Resserrer les écrous à compression. (Voir figure 3).
7. Retirer le joint torique du boîtier. Lubrifier à l'aide d'un lubrifiant à base d'eau et fixer adéquatement au boîtier.
8. Placer le filtre dans le boîtier. Visser le boîtier, avec le filtre, dans la tête.
9. Ouvrir lentement le robinet d'alimentation en eau. Appuyer sur le bouton de décompression rouge (sur la tête du filtre) pour expulser l'air.
10. Vérifier la présence de fuites, puis laisser l'eau couler d'un robinet ouvert pendant 5 minutes ou jusqu'à ce que l'air qui pourrait être présent dans le système sorte.

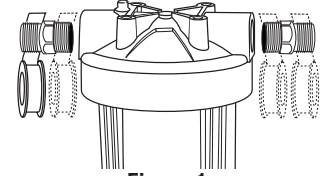


Figure 1

MISE EN GARDE

Pour réduire les risques associés aux tensions dangereuses causées par le perçage à travers du filage électrique ou des conduites d'eau présentes dans la zone d'installation :

- Ne pas installer à proximité de filage électrique ou de conduites d'eau pouvant se trouver dans le chemin d'un outil de perçage lors du choix de l'emplacement du support du filtre.

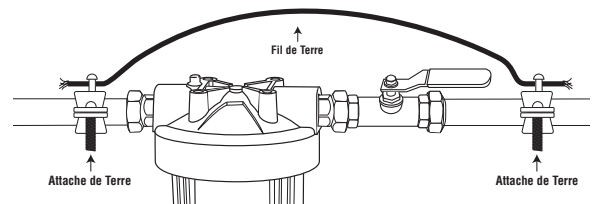


Figure 2

AVERTISSEMENT

Pour réduire les risques associés aux dommages à la propriété occasionnés par les fuites d'eau :

- Lire et suivre toutes les instructions d'utilisation avant l'installation et l'utilisation de ce système.
- L'installation et l'utilisation **DOIVENT** être conformes aux codes de la plomberie nationaux et provinciaux.
- **Protéger du gel.** Purger le filtre lorsque les prévisions météorologiques prévoient que la température passera sous la barre des 4,4 °C (40 °F).
- COUPER L'ALIMENTATION EN ÉLECTRICITÉ OU EN CARBURANT DU CHAUFFE-EAU après avoir coupé l'approvisionnement en eau.

DIRECTIVES DE REMPLACEMENT DE LA CARTOUCHE FILTRANTE

AVERTISSEMENT

Afin de réduire les risques de dommages matériels associés aux fuites d'eau:

- Il faut remplacer la cartouche filtrante jetable au moins tous les six mois ou selon le cycle de vie indiqué.

Les contaminants ou les autres substances que ce filtre retire de l'eau ne sont pas nécessairement présents dans l'eau de tous les utilisateurs.

La composition de l'eau et le volume ont une incidence sur la durée de vie utile du filtre. Nous recommandons de changer ce filtre à la fréquence indiquée dans le mode d'emploi du filtre. Cependant, on peut le remplacer plus rapidement si la pression de l'écoulement du robinet diminue de façon marquée.

Plusieurs modèles de filtres peuvent être utilisés avec ce boîtier : AP810, AP811, AP814, AP810-2, AP811-2 et AP814-2 pour les sédiments et de la rouille, AP817 et AP817-2 pour les sédiments ainsi que le goût et l'odeur de chlore.

REMARQUE: Couper l'alimentation en eau avant de changer la cartouche. Placer un bassin pour recueillir les légers écoulements d'eau qui peuvent se produire lors du retrait du boîtier.

1. Fermer la soupape d'arrêt après la tête de filtre.
2. Appuyer sur le bouton de décompression du boîtier pour permettre à l'air de s'échapper du filtre.
3. Dévisser le boîtier vers la gauche à l'aide de la clé fournie avec le produit, puis retirer la vieille cartouche. Nettoyer le boîtier à l'aide d'eau et d'un savon doux.
4. Lubrifier le joint torique à l'aide d'un lubrifiant à base d'eau.
5. Installer la cartouche et remettre le boîtier en place. S'assurer que la cartouche et le joint torique sont bien placés dans le boîtier avant de le resserrer sur la tête.
6. Ouvrir la soupape d'alimentation principale et vérifier s'il n'y a pas de fuites. En cas de fuite, resserrer davantage le boîtier au besoin. Ouvrir la soupape d'arrêt après la tête de filtre.
7. Laisser couler l'eau dans le système pendant cinq (5) minutes.

Cartouches de remplacement Série AP800 (en option)

Modèle de Sédiment	Charge	Niveau nominal de microns	Application		Débit maximal
			Sédiment/Rouille	Goût et odeur de chlore	
AP810, AP810-2	Normal	5	•		28 gpm (106 lpm)
AP811, AP811-2	Moyen	25	•		28 gpm (106 lpm)
AP814, AP814-2	Lourd	50	•		28 gpm (106 lpm)
AP817, AP817-2	Normal	25	•	•	10 gpm (38 lpm)

PROBLÈMES ET SOLUTIONS

Fuites d'eau se Produisant aux Raccords:

Resserrer légèrement pour arrêter les petites fuites.

Si les Fuites Persistent:

Couper l'eau au robinet d'alimentation principal de la maison, dévisser les raccords filetés, rajouter du ruban de PTFE en tournant dans le sens des aiguilles d'une montre (vers la droite) et revisser dans le module de tête.

GARANTIE LIMITÉE

3M Purification Inc. garanti la tête en acier inoxydable (à l'exception des cartouches filtrantes jetables) contre les défauts de matériel et de main-d'oeuvre pour une période de dix (10) ans à partir de la date de l'achat. Cette garantie ne couvre pas les défauts occasionnés par une utilisation abusive ou le mésusage, l'altération ou le dommage non occasionné par 3M Purification, inc. ou le défaut de respecter les instructions d'installation et d'utilisation. Aucune garantie n'est fournie pour la durée de vie utile de toute cartouche filtrante ou membrane à cause des conditions d'eau locales ou des quantités d'eau consommées. **3M PURIFICATION, INC. N'OFFRE AUCUNE AUTRES GARANTIE OU CLAUSE EXPLICITES OU IMPLICITES, Y COMPRIS, MAIS SANS S'Y LIMITER, TOUTE GARANTIE OU CLAUSE IMPLICITE DE QUALITÉ MARCHANDE OU D'ADAPTATION À UN USAGE PARTICULIER, OU TOUTE GARANTIE OU CLAUSE IMPLICITE DÉCOULANT DE LA CONDUITE DES AFFAIRES, DES PRATIQUES COURANTES ET DES USAGES DU COMMERCE.** Si une défectuosité du Produit survient pendant la période couverte par la garantie limitée, 3M Purification, inc. remplacera le produit ou remboursera le prix d'achat du Produit, à sa discrétion. Cette garantie ne couvre pas la main d'oeuvre. **Le recours énoncé dans ce paragraphe est le seul recours offert au client et l'obligation exclusive de 3M Purification, inc.**

Il est possible que l'utilisateur ait d'autres droits à cet égard, lesquels peuvent varier d'une province à une autre ou d'un pays à un autre. Pour toutes questions au sujet de la garantie, veuillez appeler au 1-800-222-7880 ou postez votre demande à : Réclamations de garantie, 3M Purification Inc., 400 Research Parkway, Meriden, CT 06450. Une preuve d'achat (reçu de caisse original) doit accompagner la réclamation au titre de la garantie ainsi qu'une description complète du produit, le numéro de modèle et le défaut allégué.

Limite de responsabilité. 3M Purification, inc. n'est pas responsable pour toute perte ou tout dommage direct, indirect, particulier, accessoire ou accidentel suivant l'utilisation de ces Produits, peu importe l'affirmation de théorie juridique, y compris la violation de garantie, la responsabilité contractuelle, la négligence ou la responsabilité stricte. Certaines provinces et certains pays ne permettent pas l'exclusion ou la limitation de responsabilité pour les dommages fortuits ou conséquents. Dans un tel cas, la clause d'exclusion ou de limitation ci-dessus ne s'applique pas.

NOTES:



3M Purification Inc.

400 Research Parkway

Meriden, CT 06450 U.S.A.

Toll Free: 800-222-7880

Worldwide: 203-237-5541

Fax: 203-238-8701

www.aquapure.com • www.3Mpurification.com

3M is a trademark of 3M Company.
Aqua-Pure is a trademark of 3M Company used under license.
© 2011 3M Company. All rights reserved.
INSTRAP801 1111