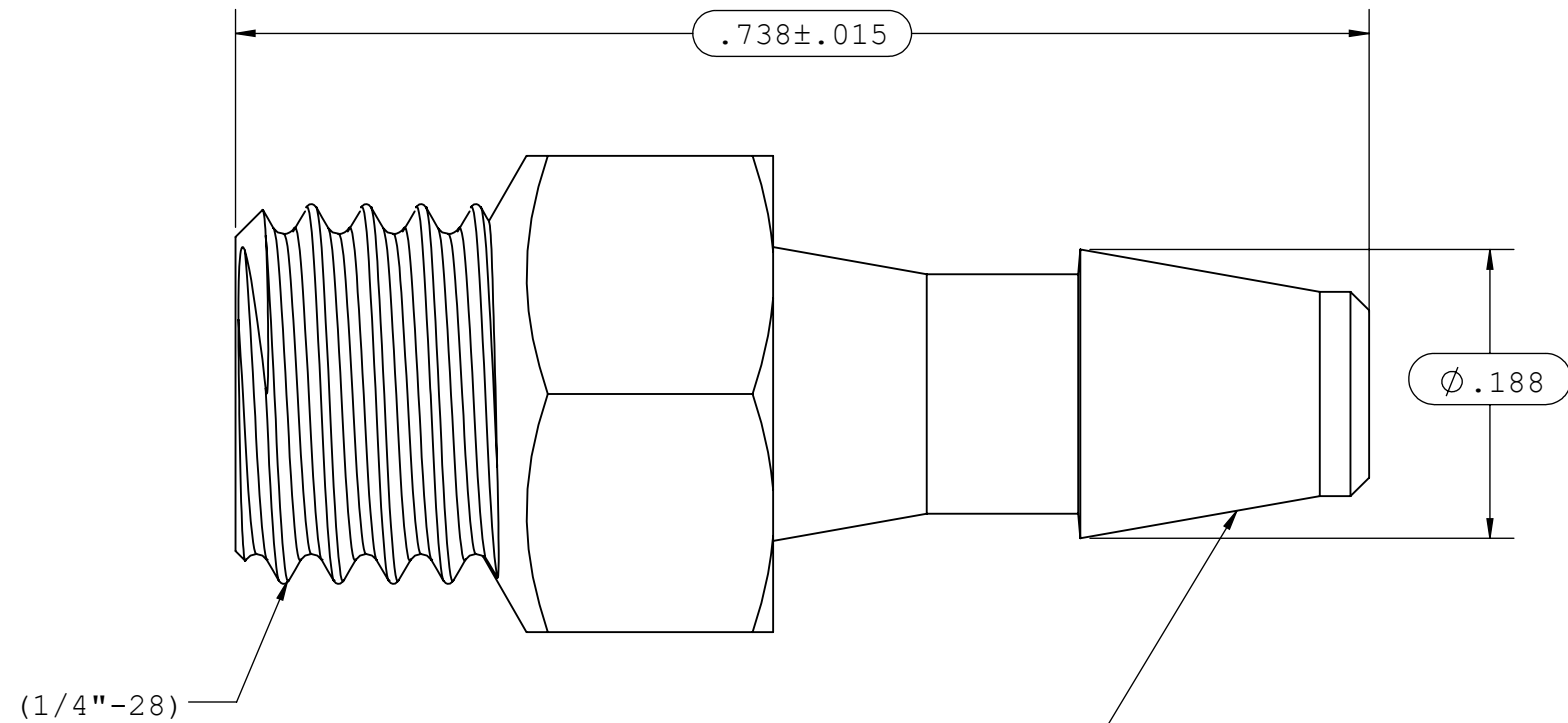
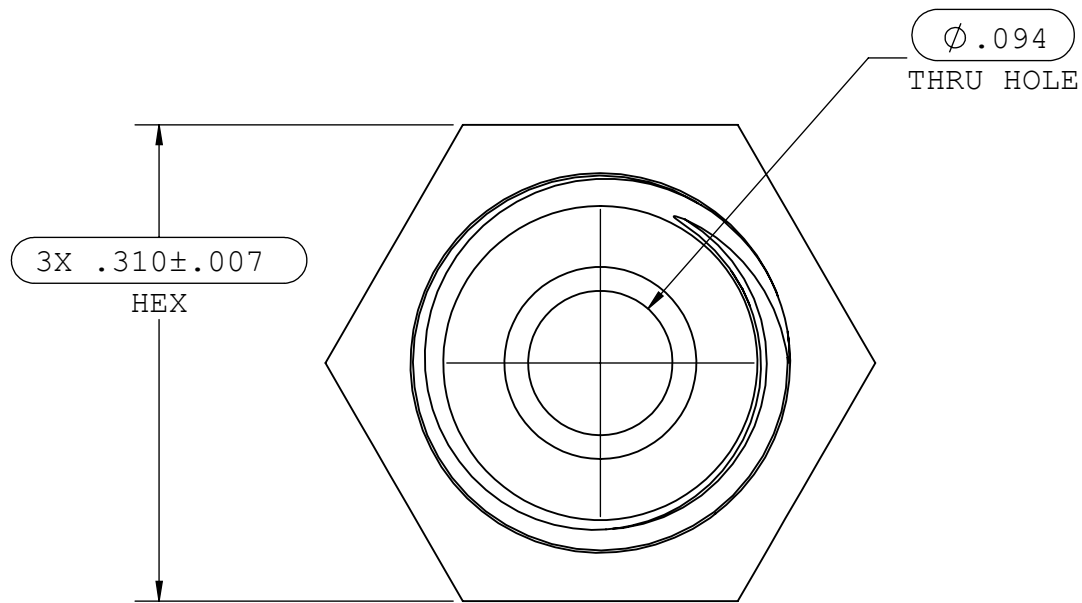


NOTES: 1.FOR ADDITIONAL DETAILS, PLEASE CONTACT VP NEW PRODUCT DEVELOPMENT

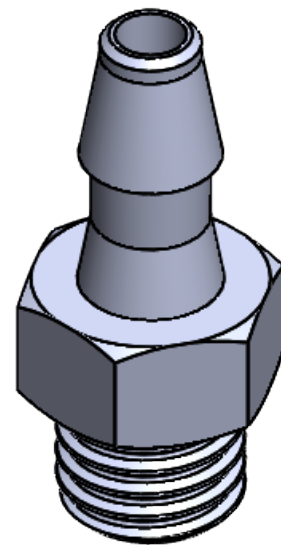
2.DIMENSIONS MARKED  ARE CONTROL DIMENSIONS

3.VERIFY THREAD USING CG118 1/4"-28 FUNCTIONAL THREAD GAUGE

REVISIONS			
REV.	DESCRIPTION	DATE	APPROVED
A	INITIAL RELEASE	08-22-02	
B	CO 031 DRAFTNG UPDATE	01-17-06	RICK C.
C	ECO 358	03-20-17	FJL
D	ECO 1079196	01-31-20	FJL



INSTRUMENT QUALITY PART. NO PARTING LINE PERMITTED ON THIS CONICAL SURFACE



UNLESS OTHERWISE SPECIFIED DIMENSIONS ARE IN INCHES TOLERANCES ARE:		<b>VALUE PLASTICS, INC</b>			
FRACTIONS    DECIMAL    ANGULAR ±            .XX ±.01            ± 1° .XXX ±.005 .XXXX ±.001		PART NUMBER: S230			
DO NOT SCALE DRAWING		DESCRIPTION: 1/4"-28 THREAD WITH 5/16" HEX TO 200 SERIES BARB, 1/8" (3 mm) ID TUBING			
DRAWN BY: BRYCE HIRSCHFELD	DATE: 1/31/2020	SIZE: <b>B</b>	SCALE: NTS	VER: 	DWG. NO.    REV 1007774    D
MANAGER: DOUG KIMMEL		© 2014 VALUE PLASTICS, INC			SHEET: 1 OF 1

**FOR REFERENCE ONLY**