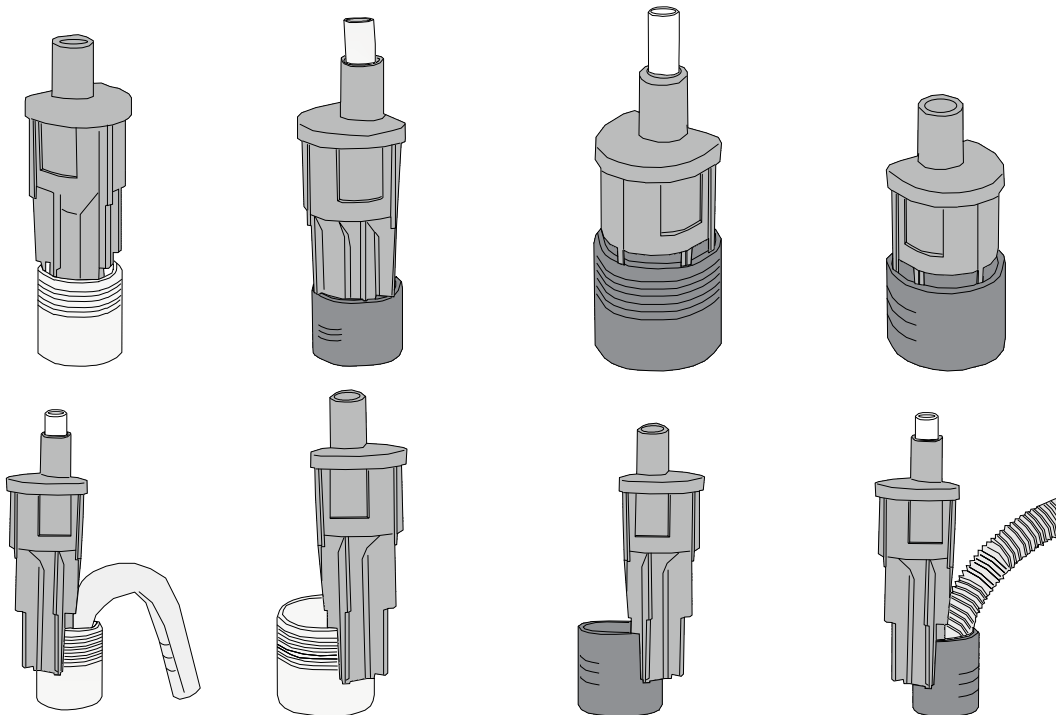


Products Guide



Introduction

Air Gap International has been designing, manufacturing, and supplying patented, plumbing code listed Air Gap units to the water treatment industry for over 30 years. Our philosophy has been to provide high performance, easy to install airgaps at a reasonable price. We offer the most diverse line of air gap products: Water Softener, back washable filters, Reverse Osmosis, kidney dialysis and unique dishwasher air gaps which required by UPC code as well as unique connection couplings and drain line fittings.

Air gap fittings are required by plumbing code to mount in the drain line (waste line) of water treatment equipment and their primary purpose is to prevent non-potable water from flowing backwards and mixing and contaminating potable (drinking) water. One could think of the function of an air gap fitting as a no-fail check valve but without an internal seat or any moving parts. Properly designed and installed, air gaps, like check valves, allow water to flow only in the desired direction.

The key characteristics for an air gap is protection from back flow and back siphonage. Back flow occurs when there is a clog or blockage downstream in the drain line which with more water entering causes the nonpotable water to back up fully engulfing the air gap unit or at least reach in the back siphonage critical level (C/L) of the air gap unit. Back siphonage happens when there is suction on the potable water line and air gap inlet that sucks non-potable water back into the potable (drinking) water line. The ideal air gap provides protection from back flow and back siphonage.

A true air gap is a physical separation in the drain line that one could pass their hand through. All existing air gap fittings if properly installed, it will prevent a back siphonage.

Notes:

Water Softener Air Gaps

Key Consideration

Water Softener air gaps typically are installed near the laundry facilities in the garage, basement or in the laundry room for convenient access to the house drainage piping. In many cases there almost never exists a dedicated (unused) standpipe just waiting to be used by the installer to mount the drain line air gap. Thus the critical feature of the air gap is its ability to share a standpipe with the washing machine or other equipment drain hose.

Dual Dishwasher Air Gaps

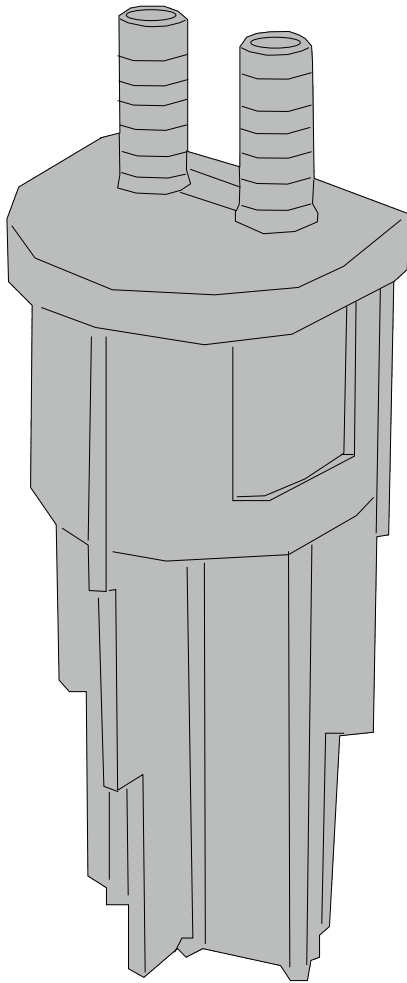
Key Consideration

Dual dishwasher air gaps provide the necessary backflow and back siphonage protection for two dishwashers – the popular dual Dishdrawer™, or for a dishwasher and an undersink (RO) unit in a single space saving body. Typically the homeowner has an existing single inlet dishwasher air gap unit as they have been a "UPC" code requirement for 40 plus years, and may like to keep their existing decorative cap. Installers would like the dual dishwasher air gap to be easy to install, multifunctional and compact as possible.

Notes:

Dialygap™

DUAL INPUT KIDNEY DIALYSIS AIR GAP

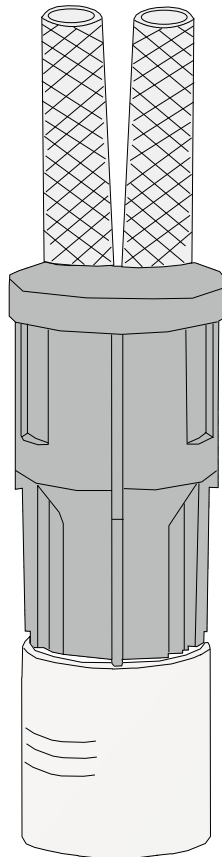


Order #: AG100-002

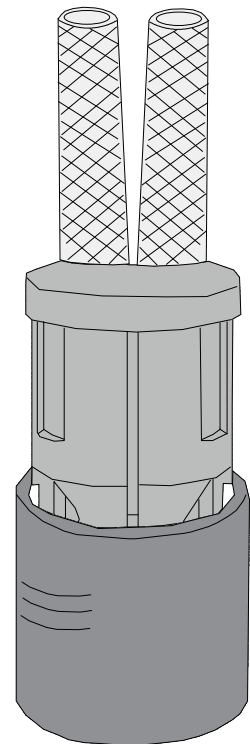
Part #: 34800

Features

- Dual input kidney dialysis air gap.
- Inlet ports fit 3/8" I.D. reinforced tubing.
- Unit fits on outer lip or inside of 1 1/2" or 2" metal or plastic standpipe.
- NSF® and UPC® listed.



Dialygap with
tubing inside
1 1/2" standpipe.



Dialygap with
tubing inside
2" standpipe.