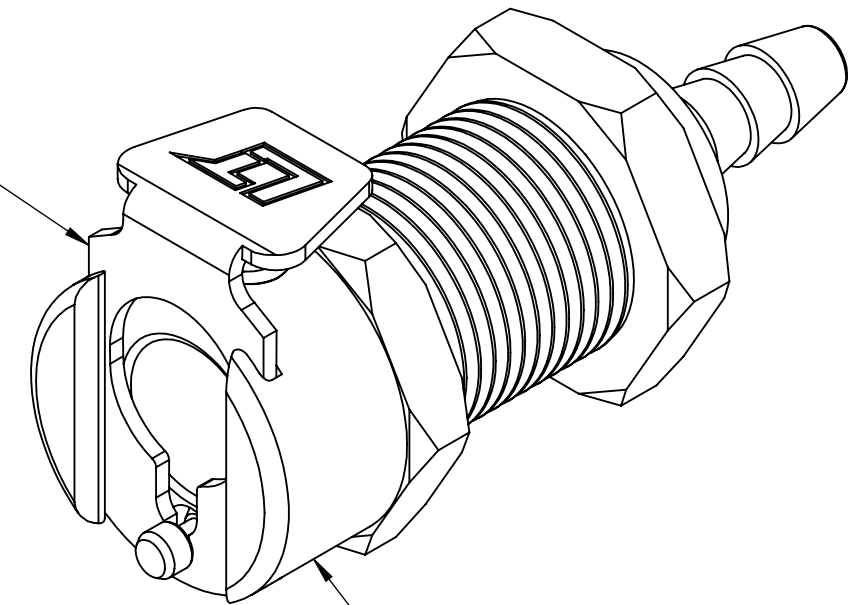
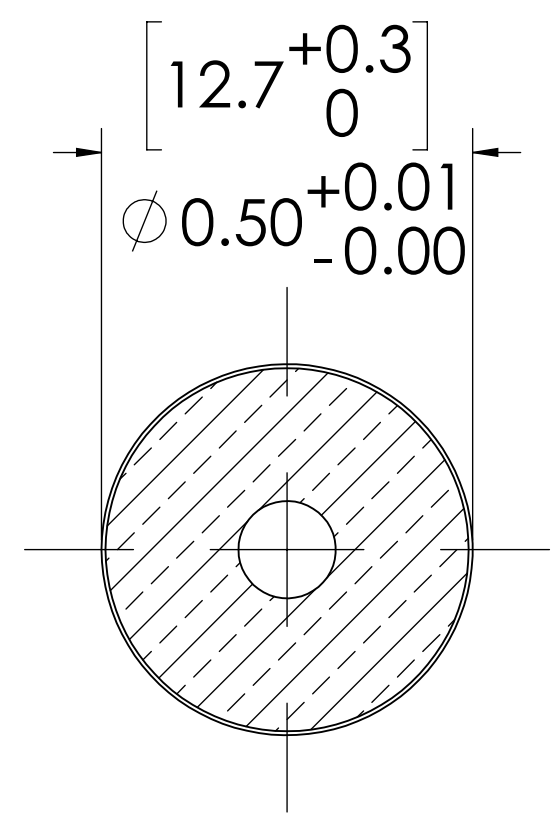
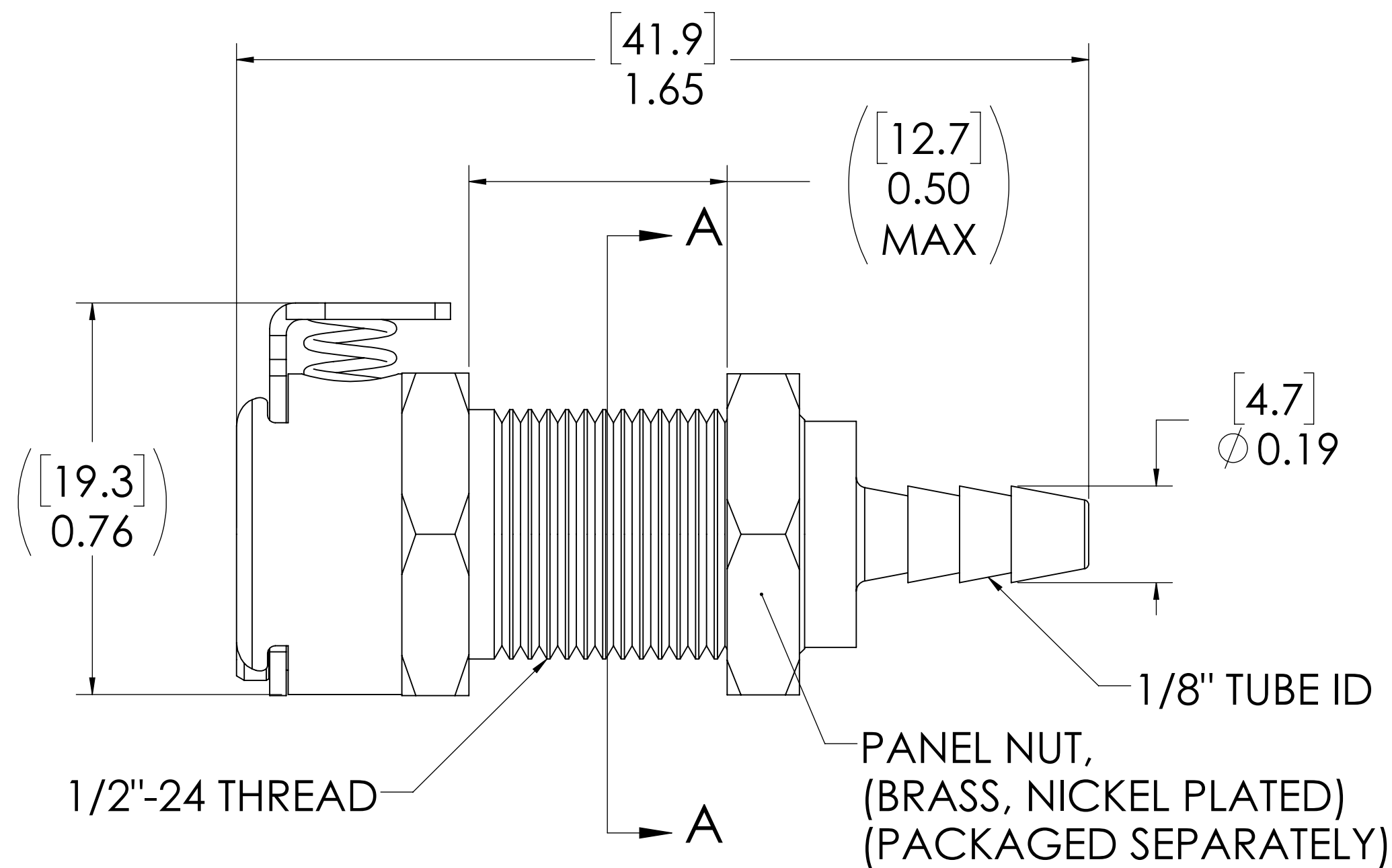
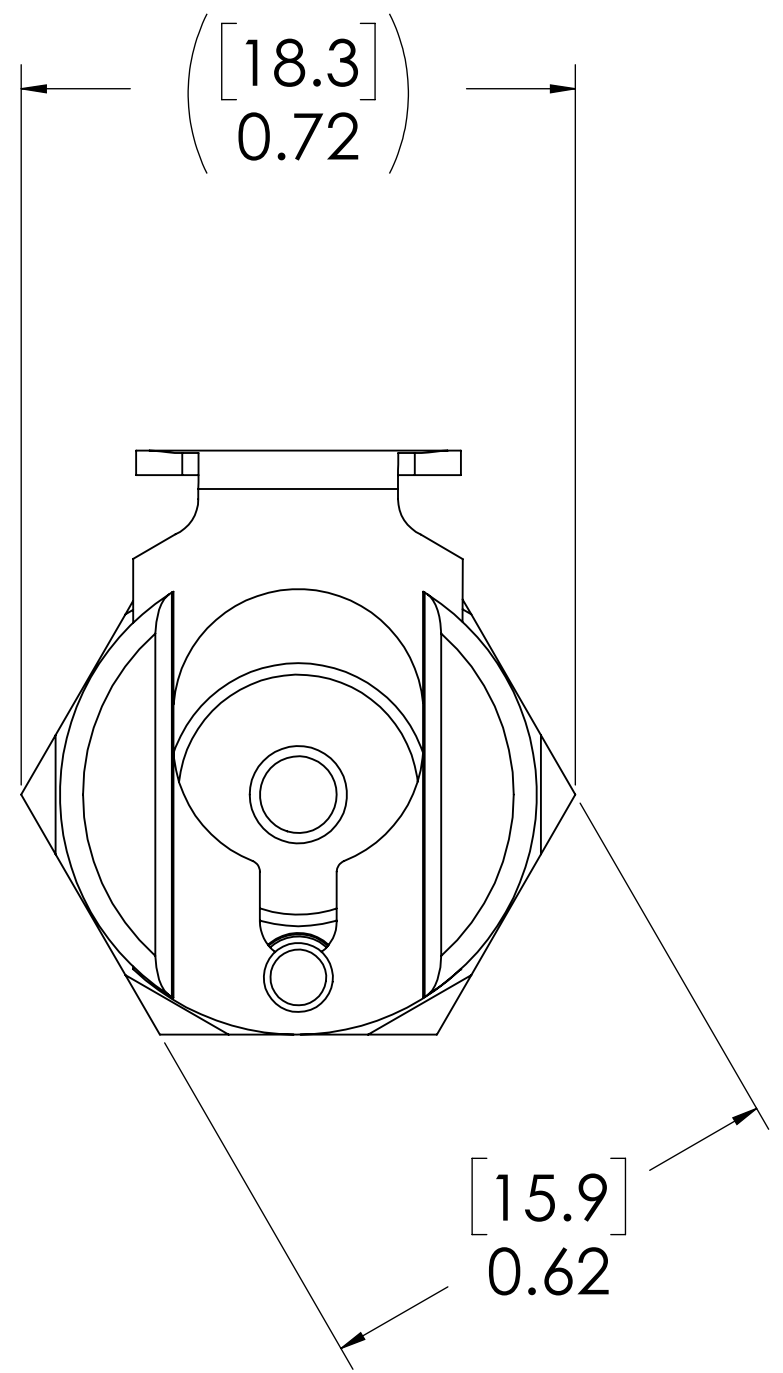


| REVISIONS | | | | | | |
|-----------|------|------|-------|--------------------------------------|-----------|----------|
| SHEET | ZONE | REV. | ECO | DESCRIPTION | DATE | APPROVED |
| 1 | ALL | A | 50242 | PIN, PIN SPRING & 2017 FORMAT UPDATE | 11/1/2017 | HRC |

LATCH HARDWARE,
(STAINLESS STEEL)



SOCKET,
(BRASS, NICKEL
& CHROME PLATED)



PANEL OPENING
(SECTION A-A)

PANEL NUT,
(BRASS, NICKEL PLATED)
(PACKAGED SEPARATELY)

FOR REFERENCE ONLY

- NOTES:**
1. MATERIAL: BRASS
 2. FINISH: CHROME

| | | | | |
|--|------------|---------|-----------|---|
| <small>UNLESS OTHERWISE SPECIFIED: DIMENSIONS ARE IN INCHES TOLERANCES: FRACTIONAL ± 1/32 ANGULAR, MACH ± 0.5 BEND ± 2 ONE PLACE DECIMAL ± 0.1 TWO PLACE DECIMAL ± 0.01 THREE PLACE DECIMAL ± 0.005 TWO PLACE DUAL (mm) [± 0.12]</small> | DRAWN | RDA | 8/30/2017 | |
| | CHECKED | HRC | 8/30/2017 | |
| | ENG APPR. | HRC | 11/1/2017 | |
| | MFG APPR. | BDB | 11/1/2017 | |
| <small>PROPRIETARY AND CONFIDENTIAL</small> | Q.A. | JJB | 11/1/2017 | PART NO: 20CB-S3-02 DESCRIPTION: LinkTech 20CB Series Panel Mt. Female, Non-valved, 125 HB, Chrome Brass |
| <small>THE INFORMATION CONTAINED IN THIS DRAWING IS THE SOLE PROPERTY OF LINKTECH LLC. ANY REPRODUCTION OR DISCLOSURE IN PART OR AS A WHOLE WITHOUT THE WRITTEN PERMISSION OF LINKTECH LLC IS STRICTLY PROHIBITED.</small> | COMMENTS: | | | SIZE DWG. NO. REV C 20CB200157 A |
| | SCALE: NTS | WEIGHT: | | SHEET 1 OF 1 |