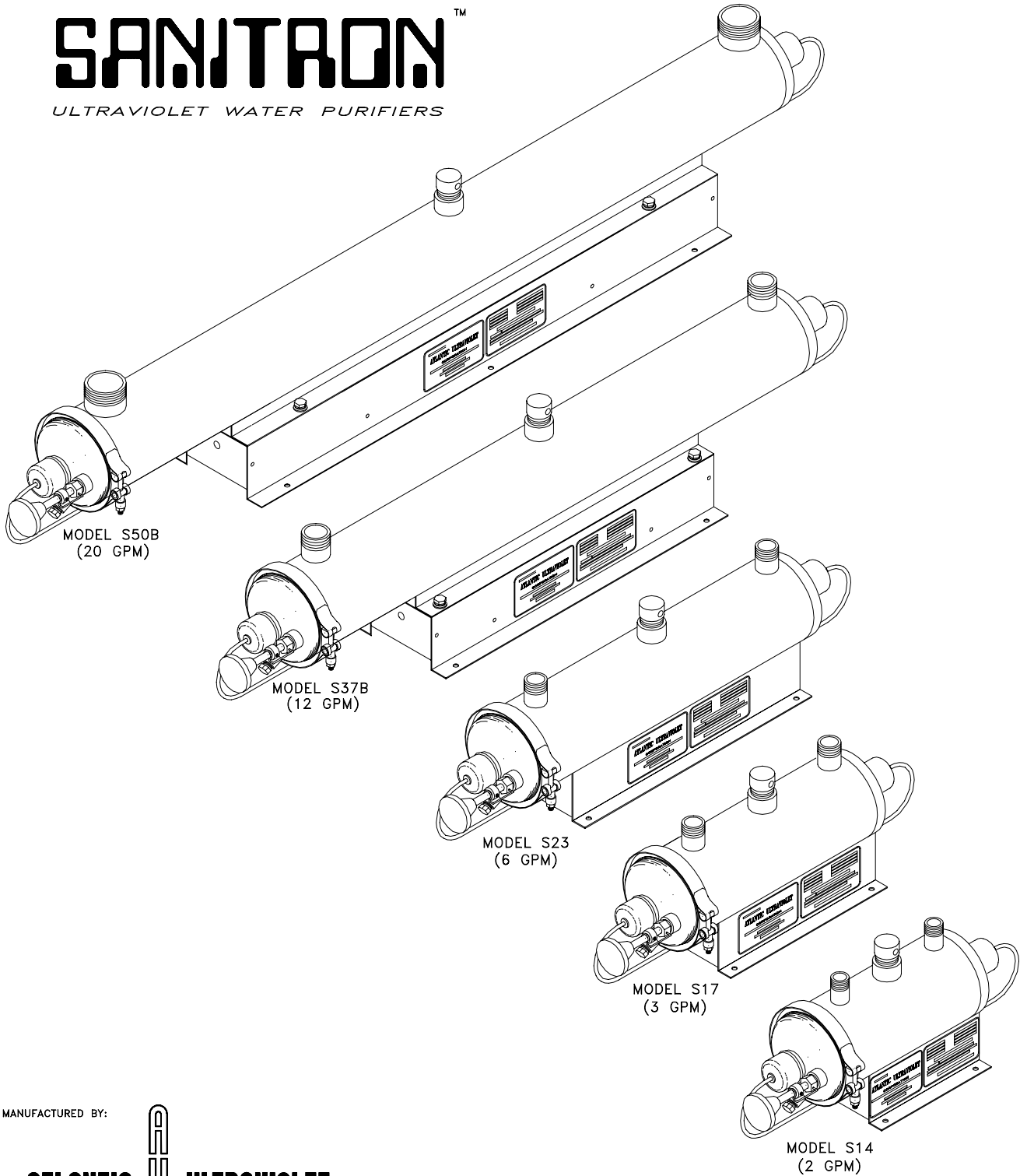


INSTALLATION & OPERATING INSTRUCTIONS

SANITRON™

ULTRAVIOLET WATER PURIFIERS



MANUFACTURED BY:

ATLANTIC  **ULTRAVIOLET**
CORPORATION

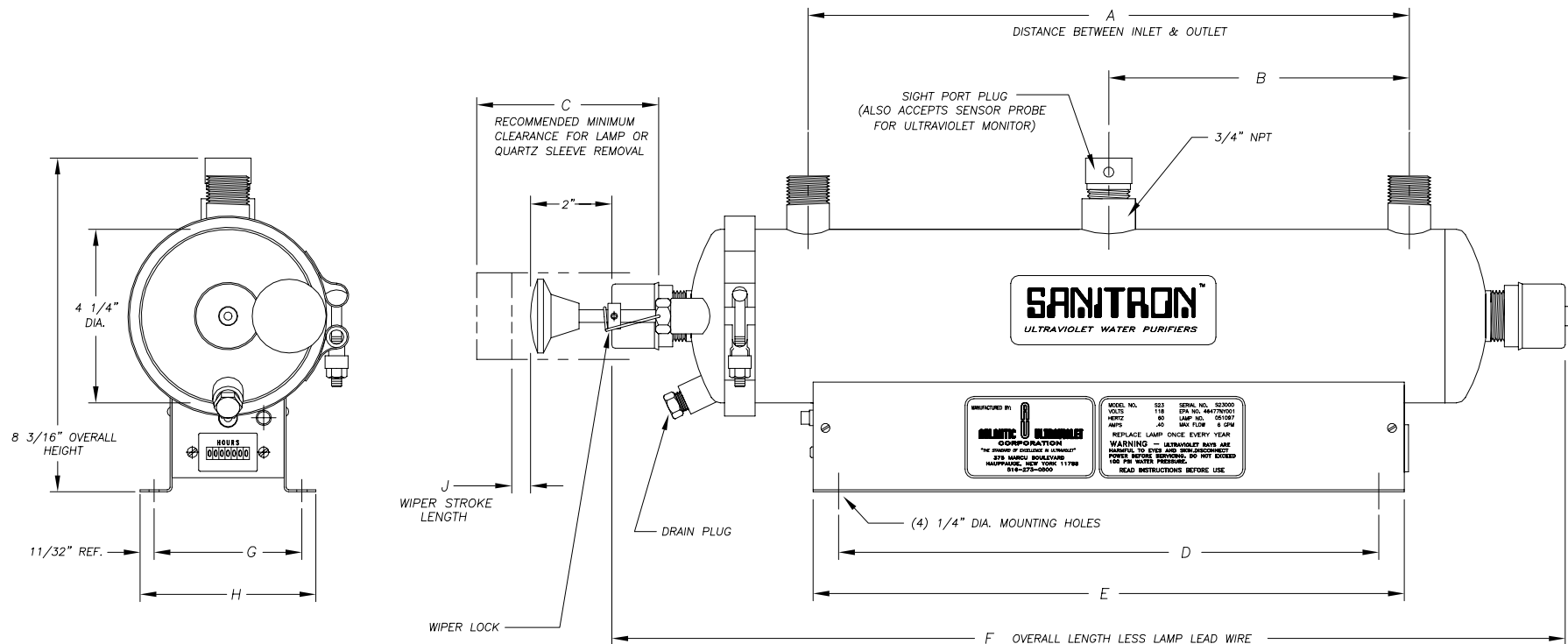
375 MARCUS BOULEVARD
HAUPPAUGE, N.Y. 11788
PHONE: (631) 273-0500
FAX: (631) 273-0771
E-Mail: INFO@ATLANTICUV.COM
WEBSITE: WWW.ULTRAVIOLET.COM

SANITRON™

ULTRAVIOLET WATER PURIFIERS

DIMENSIONAL DATA

MODELS: S14, S17, S23



NOTE: LINE CORD AND LAMP LEAD WIRE OMITTED FOR CLARITY.

MODEL:	A	B	C	D	E	F	G	H	J	INLET & OUTLET SIZE
S14	6"	3"	14"	5 3/4"	7"	14 3/8"	3 5/8"	4 5/16"	5 3/4"	1/2" MALE PIPE THREAD
S17	8 3/4"	4 3/8"	17"	8 3/4"	10"	17 3/8"	3 5/8"	4 5/16"	7 3/16"	3/4" MALE PIPE THREAD
S23	14 3/4"	7 3/8"	23"	13 1/4"	14 1/2"	23 3/8"	3 5/8"	4 5/16"	10 3/16"	3/4" MALE PIPE THREAD

ATLANTIC ULTRAVIOLET CORPORATION

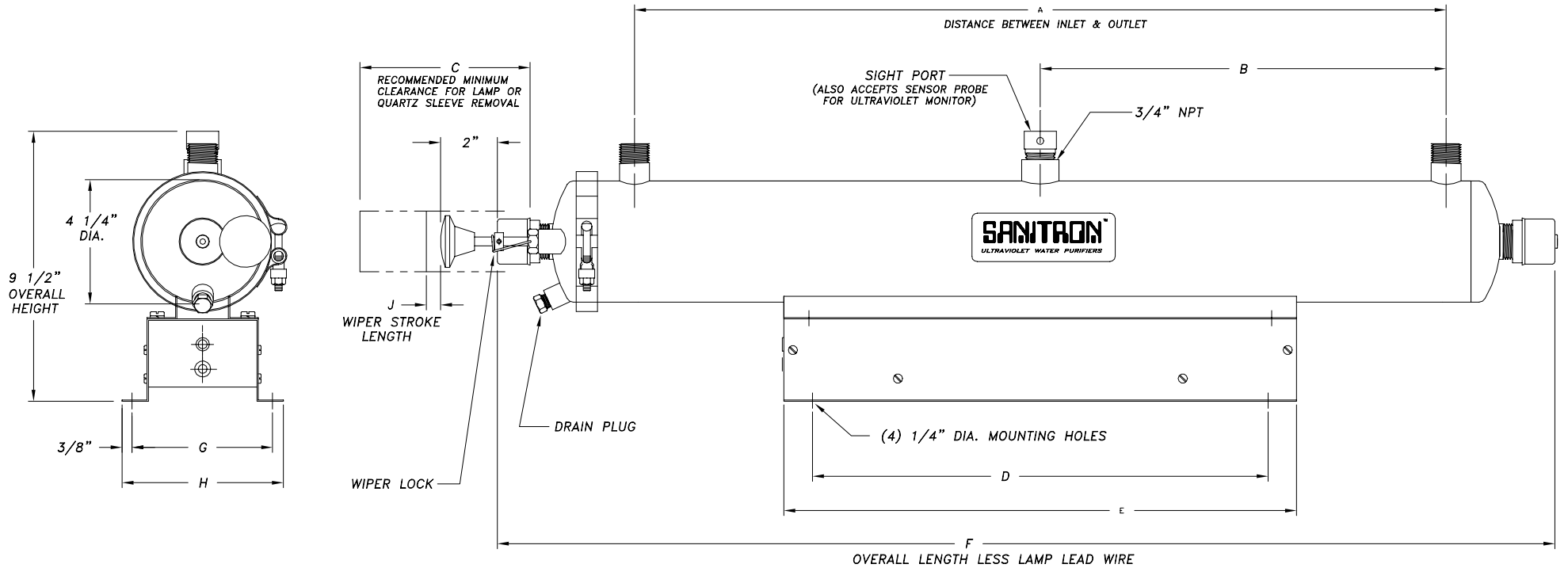
375 MARCUS BOULEVARD
HAUPTPAUGE, N.Y. 11788
PHONE: (631) 273-0500
FAX: (631) 273-0771

SANITRON™

ULTRAVIOLET WATER PURIFIERS

DIMENSIONAL DATA

MODELS: S37B & S50B



NOTE: LINE CORD AND LAMP LEAD WIRE OMITTED FOR CLARITY.

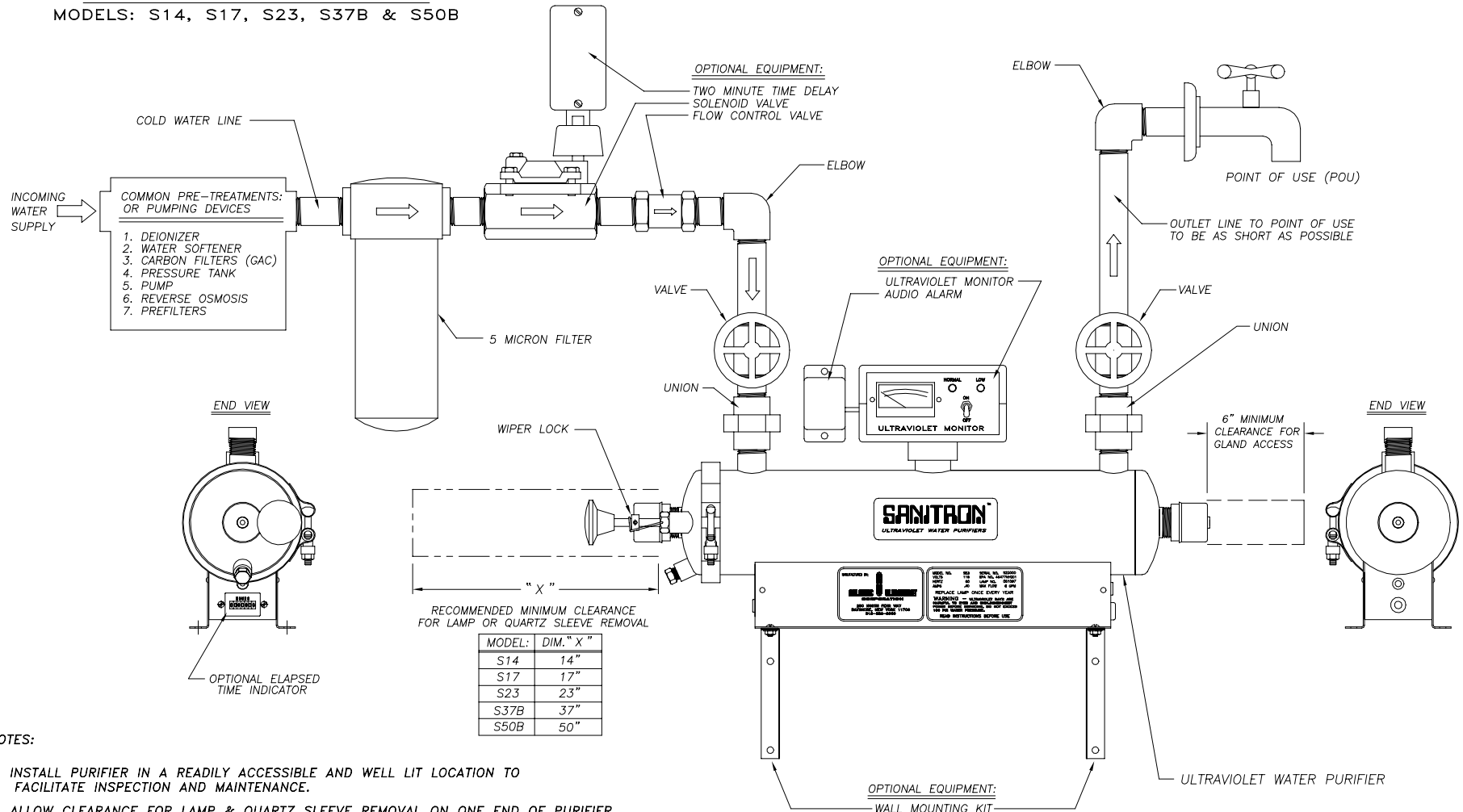
MODEL:	A	B	C	D	E	F	G	H	J	INLET & OUTLET SIZE
S37B	28 1/2"	14 1/4"	37"	16"	18"	37 3/8"	4 15/16"	5 11/16"	11 1/8"	1" MALE PIPE THREAD
S50B	40 7/8"	20 7/16"	50"	26"	30"	50 3/8"	4 15/16"	5 11/16"	13 13/16"	1 1/2" MALE PIPE THREAD

ATLANTIC ULTRAVIOLET CORPORATION
 375 MARCUS BOULEVARD
 HAUPPAUGE, N.Y. 11788
 PHONE: (631) 273-0500
 FAX: (631) 273-0771

SANITRON™

ULTRAVIOLET WATER PURIFIERS
RECOMMENDED INSTALLATION

MODELS: S14, S17, S23, S37B & S50B



NOTES:

1. INSTALL PURIFIER IN A READILY ACCESSIBLE AND WELL LIT LOCATION TO FACILITATE INSPECTION AND MAINTENANCE.
2. ALLOW CLEARANCE FOR LAMP & QUARTZ SLEEVE REMOVAL ON ONE END OF PURIFIER. (SEE CHART ABOVE FOR MINIMUM CLEARANCES.)
3. DO NOT ALLOW WATER PURIFIER TO FREEZE.
4. MAXIMUM RECOMMENDED AMBIENT TEMPERATURE: 90°F.
5. IT IS NOT RECOMMENDED THAT WATER PURIFIER BE SOLELY SUPPORTED BY PLUMBING.
6. LINE CORD AND LAMP LEAD WIRE OMITTED FOR CLARITY.
7. SUGGESTED SOLENOID VALVE REQUIRES A MINIMUM OF 5 P.S.I. IN ORDER TO FUNCTION CORRECTLY.
8. CONSULT FACTORY FOR ELECTRICAL COMPONENTS OTHER THAN 118 VOLT /60 HERTZ.
9. MAXIMUM RECOMMENDED OPERATING PRESSURE IS 100 PSI.

ATLANTIC  ULTRAVIOLET CORPORATION

375 MARCUS BOULEVARD
HAUPTAUGE, N.Y. 11788
PHONE: (631) 273-0500
FAX: (631) 273-0771

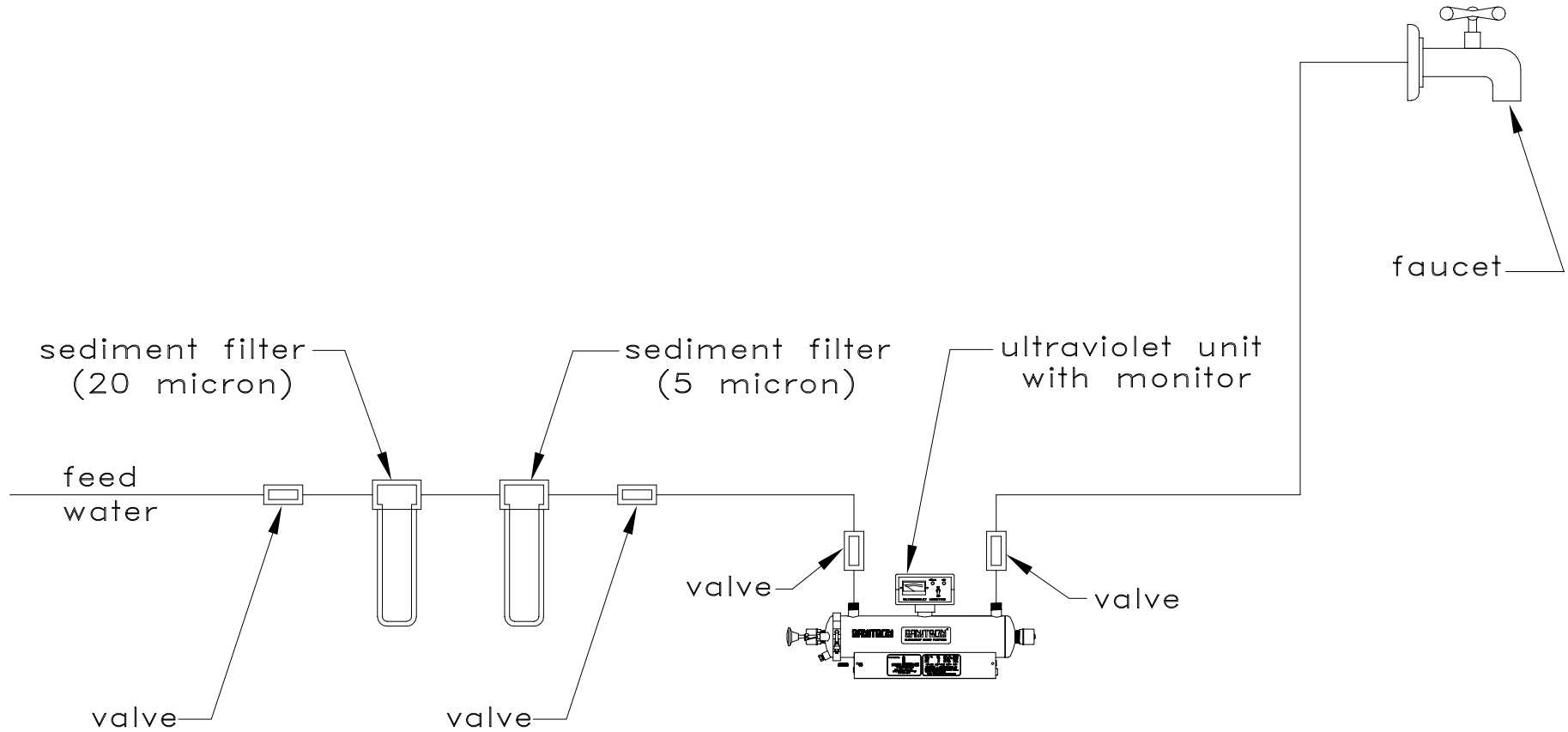
DRAWING NO:

260014A

TITLE:

UNDER THE SINK INSTALLATION

THIS DRAWING CONTAINS DESIGNS AND OTHER INFORMATION WHICH ARE THE PROPERTY OF ATLANTIC ULTRAVIOLET CORPORATION. EXCEPT FOR RIGHTS EXPRESSLY GRANTED BY CONTRACT TO THE UNITED STATES GOVERNMENT, THIS DRAWING MAY NOT, IN WHOLE OR IN PART, BE DUPLICATED OR DISCLOSED OR USED FOR MANUFACTURE OF THE PART DISCLOSED HEREIN, WITHOUT THE PRIOR WRITTEN PERMISSION OF ATLANTIC ULTRAVIOLET CORPORATION.



ATLANTIC ULTRAVIOLET
CORPORATION
375 MARCUS BOULEVARD
HAUPPAUGE, N.Y. 11788
PHONE: (631) 273-0500
FAX: (631) 273-0771

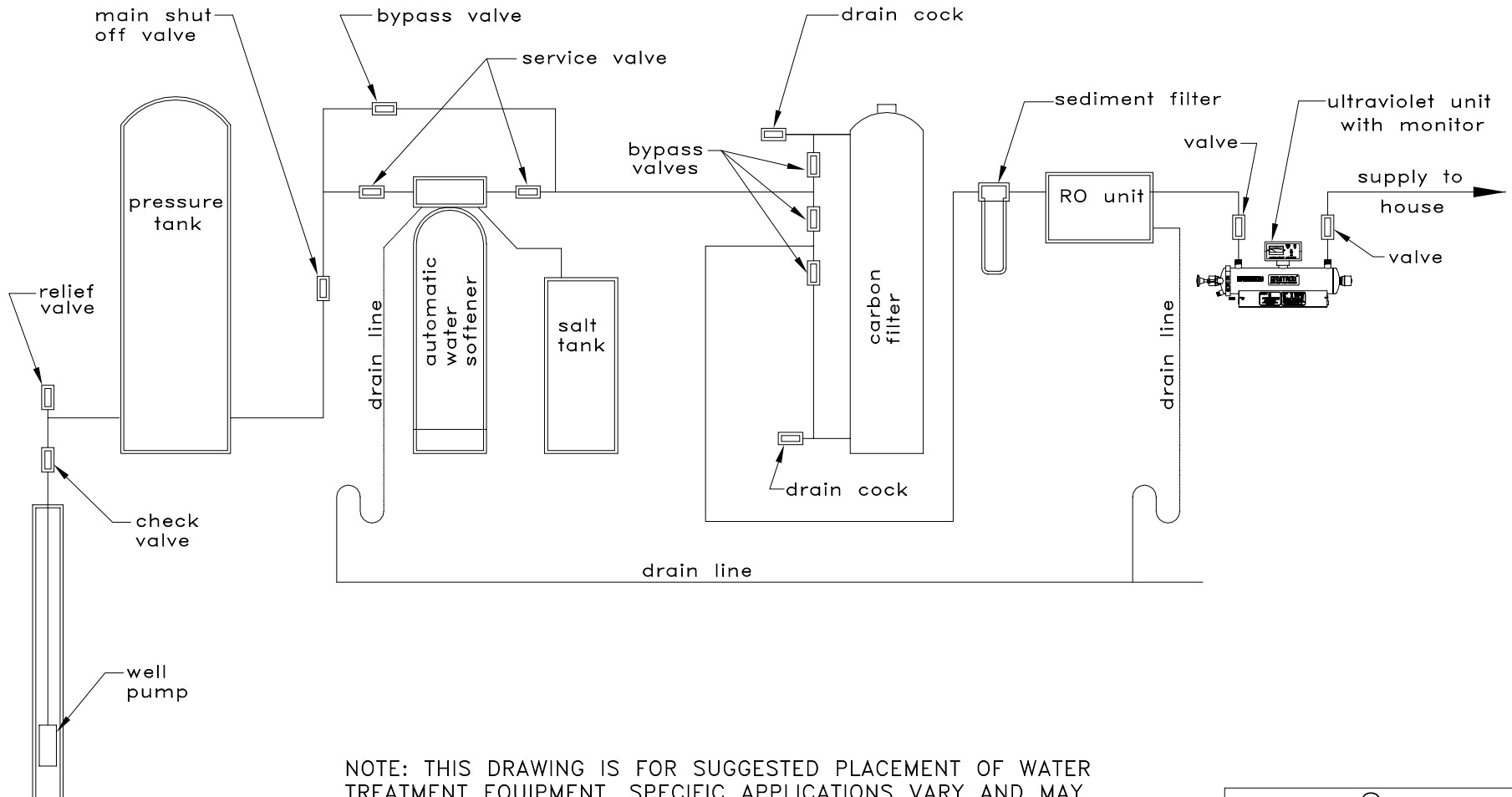
DRAWING NO:

260013A

TITLE:

WHOLE HOUSE INSTALLATION

THIS DRAWING CONTAINS DESIGNS AND OTHER INFORMATION WHICH ARE THE PROPERTY OF ATLANTIC ULTRAVIOLET CORPORATION. EXCEPT FOR RIGHTS EXPRESSLY GRANTED BY CONTRACT TO THE UNITED STATES GOVERNMENT, THIS DRAWING MAY NOT, IN WHOLE OR IN PART, BE DUPLICATED OR DISCLOSED OR USED FOR MANUFACTURE OF THE PART DISCLOSED HEREIN, WITHOUT THE PRIOR WRITTEN PERMISSION OF ATLANTIC ULTRAVIOLET CORPORATION.



NOTE: THIS DRAWING IS FOR SUGGESTED PLACEMENT OF WATER TREATMENT EQUIPMENT. SPECIFIC APPLICATIONS VARY AND MAY REQUIRE ALL OR SOME OF THESE COMPONENTS.

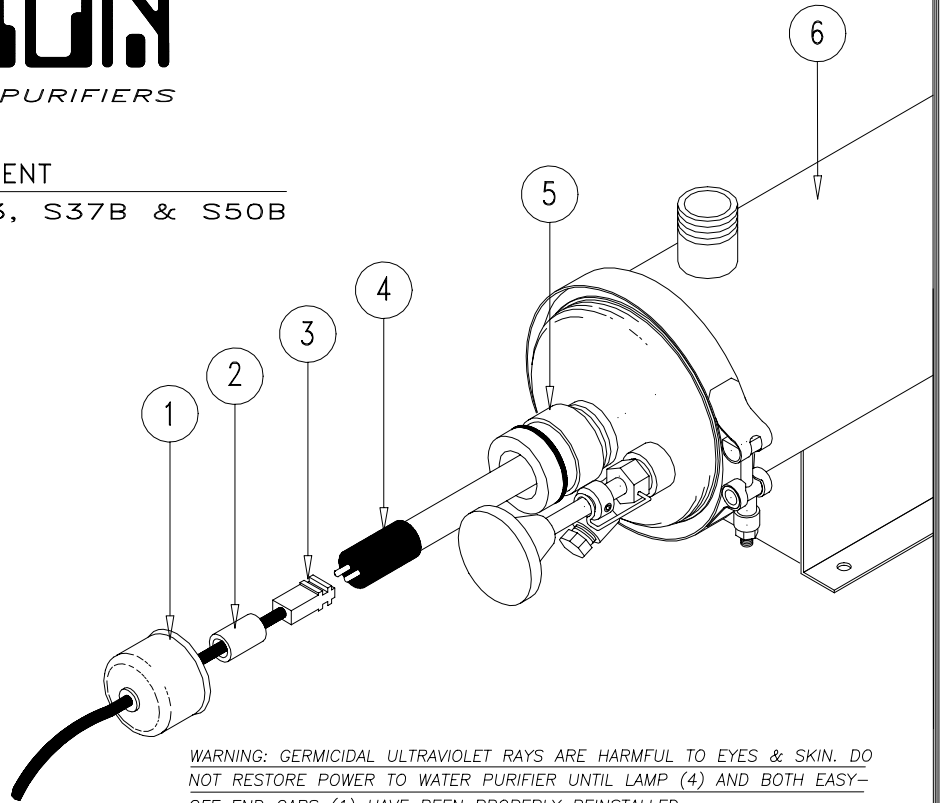
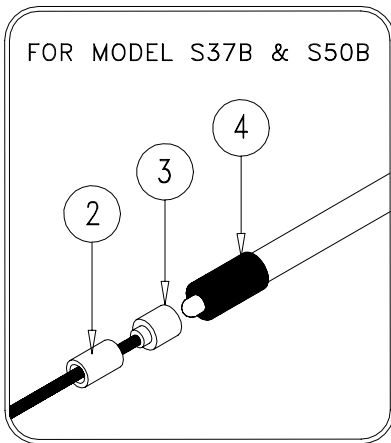
ATLANTIC ULTRAVIOLET
CORPORATION
375 MARCUS BOULEVARD
HAUPPAUGE, N.Y. 11788
PHONE: (631) 273-0500
FAX: (631) 273-0771

SANITRON™

ULTRAVIOLET WATER PURIFIERS

LAMP REPLACEMENT

MODELS: S14, S17, S23, S37B & S50B



WARNING: GERMICIDAL ULTRAVIOLET RAYS ARE HARMFUL TO EYES & SKIN. DO NOT RESTORE POWER TO WATER PURIFIER UNTIL LAMP (4) AND BOTH EASY-OFF END CAPS (1) HAVE BEEN PROPERLY REINSTALLED.

1. DISCONNECT POWER TO WATER PURIFIER.
2. REMOVE EASY-OFF END CAP (1) BY PULLING CAP OFF STATIC GLAND NUT (5). SLIDE EACH END CAP (1) ALONG THE WIRE AWAY FROM THE SOCKET (3).
3. CAREFULLY WITHDRAW LAMP (4) APPROXIMATELY 2 INCHES FROM CHAMBER (6) WHILE FEEDING LAMP SOCKET & LEAD WIRE (3) ON OPPOSITE END OF CHAMBER.
4. WHILE HOLDING LAMP END (4), CAREFULLY REMOVE LAMP SOCKET (3) ON END NOW EXPOSED.
5. NEXT, CAREFULLY WITHDRAW LAMP (4) APPROXIMATELY 2 INCHES ON OPPOSITE END, HOLD LAMP & REMOVE LAMP SOCKET (3).
6. LAMP SHOULD NOW BE FREE ON BOTH ENDS. CAREFULLY WITHDRAW LAMP (4) FROM CHAMBER (6). BE SURE TO WITHDRAW LAMP STRAIGHT OUT WITHOUT ANGLING UNTIL COMPLETELY CLEAR OF QUARTZ SLEEVE.

CAUTION: LAMP AND QUARTZ SLEEVE ARE EASILY DAMAGED. EXERCISE CARE WHEN REMOVING OR REPLACING LAMP.

7. REASSEMBLE IN REVERSE ORDER.

ITEM	DESCRIPTION	QTY	MODEL: S14	MODEL: S17	MODEL: S23	MODEL: S37B	MODEL: S50B
			PART NO.	PART NO.	PART NO.	PART NO.	PART NO.
1	EASY OFF END CAP	2	251499A1	251499A1	251499A1	251499A1	251499A1
2	LAMP SPACER	2	250210A	250210A	250210A	250209A	250210A
3	LAMP SOCKET & LEAD WIRE	2	051219B2	051219B2	051219B3	051218A2	051218A2
4	GERMICIDAL ULTRAVIOLET LAMP	1	051400	051098	051097	051343	051334
5	STATIC GLAND NUT	2	251492D	251492D	251492D	251492D	251492D
6	CHAMBER	1	251525C1	251524C1	251523D1	251522F1	251521E1

ATLANTIC ULTRAVIOLET CORPORATION
 375 MARCUS BOULEVARD
 HAUPPAUGE, N.Y. 11788
 PHONE: (631) 273-0500
 FAX: (631) 273-0771

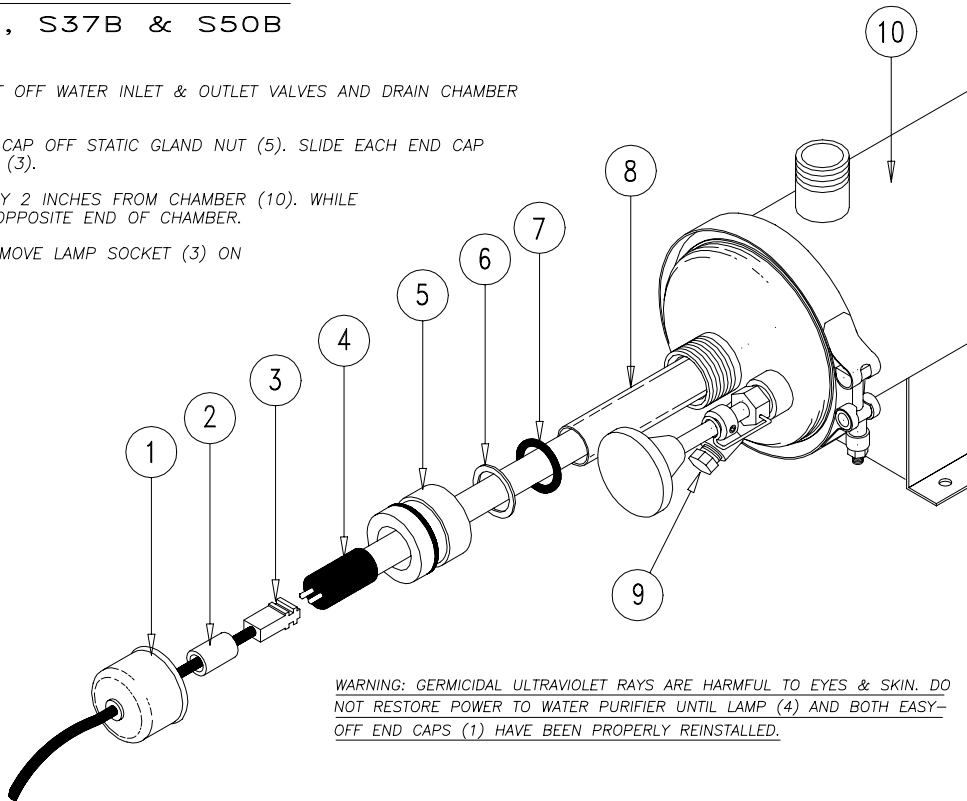
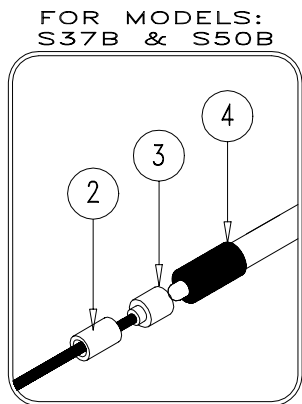
SANITRON™

ULTRAVIOLET WATER PURIFIERS

QUARTZ SLEEVE CLEANING OR REPLACEMENT

MODELS: S14, S17, S23, S37B & S50B

1. DISCONNECT POWER TO WATER PURIFIER, SHUT OFF WATER INLET & OUTLET VALVES AND DRAIN CHAMBER BY REMOVING DRAIN PLUG (9).
2. REMOVE EASY-OFF END CAP (1) BY PULLING CAP OFF STATIC GLAND NUT (5). SLIDE EACH END CAP (1) ALONG THE WIRE AWAY FROM THE SOCKET (3).
3. CAREFULLY WITHDRAW LAMP (4) APPROXIMATELY 2 INCHES FROM CHAMBER (10). WHILE FEEDING LAMP SOCKET & LEAD WIRE (3) ON OPPOSITE END OF CHAMBER.
4. WHILE HOLDING LAMP END (4), CAREFULLY REMOVE LAMP SOCKET (3) ON END NOW EXPOSED.



WARNING: GERMICIDAL ULTRAVIOLET RAYS ARE HARMFUL TO EYES & SKIN. DO NOT RESTORE POWER TO WATER PURIFIER UNTIL LAMP (4) AND BOTH EASY-OFF END CAPS (1) HAVE BEEN PROPERLY REINSTALLED.

5. NEXT, CAREFULLY WITHDRAW LAMP (4) APPROXIMATELY 2 INCHES ON OPPOSITE END, HOLD LAMP END & REMOVE LAMP SOCKET (3).
6. LAMP SHOULD NOW BE FREE ON BOTH ENDS, CAREFULLY WITHDRAW LAMP (4) FROM CHAMBER (10). BE SURE TO WITHDRAW LAMP STRAIGHT OUT WITHOUT ANGLING UNTIL COMPLETELY CLEAR OF QUARTZ SLEEVE (8).

CAUTION: LAMP AND QUARTZ SLEEVE ARE EASILY DAMAGED. EXERCISE CARE WHEN REMOVING OR REPLACING LAMP.

7. UNSCREW BRASS STATIC GLAND NUTS (5) FROM EACH END OF THE CHAMBER. (AVOID STRIKING QUARTZ SLEEVE WITH STATIC GLAND NUT.) THEN CAREFULLY REMOVE TEFLON WASHER (6) AND O-RING (7) FROM BOTH ENDS OF QUARTZ SLEEVE (8). TEFLON WASHER (6) WILL SOMETIMES REMAIN WITHIN THE STATIC GLAND NUT. IF SO, REMOVE TEFLON WASHER FROM STATIC GLAND NUT (5) BEFORE PROCEEDING.
8. CAREFULLY REMOVE QUARTZ SLEEVE (8) FROM CHAMBER (10). NOTE: IT IS ADVISABLE TO SUPPORT THE QUARTZ SLEEVE ON THE BACK SIDE WITH YOUR FINGER SO THAT IT DOES NOT DROP TO THE BOTTOM OF THE CHAMBER WHEN IT SLIDES PAST THE CHAMBER END. ONCE THE QUARTZ SLEEVE IS REMOVED, CLEAN WITH ALCOHOL OR A DETERGENT. STUBBORN STAINS USUALLY CAN BE REMOVED WITH A DILUTE HYDROCHLORIC ACID.
9. REASSEMBLE IN REVERSE ORDER. BE SURE O-RINGS (7) ARE PLACED ON QUARTZ SLEEVE (8) BEFORE TEFLON RINGS (6).
10. TIGHTEN STATIC GLAND NUTS FIRMLY BY HAND ONLY, DO NOT USE HAND TOOLS. TIGHTENING WITH HAND TOOLS IS LIKELY TO CAUSE QUARTZ SLEEVE TO BREAK.

ITEM	DESCRIPTION	QTY	MODEL: S14	MODEL: S17	MODEL: S23	MODEL: S37B	MODEL: S50B
			PART NO.	PART NO.	PART NO.	PART NO.	PART NO.
1	EASY OFF END CAP	2	251499A1	251499A1	251499A1	251499A1	251499A1
2	LAMP SPACER	2	250210A	250210A	250210A	250209A	250210A
3	LAMP SOCKET & LEAD WIRE	2	051219B2	051219B2	051219B3	051218A2	051218A2
4	GERMICIDAL ULTRAVIOLET LAMP	1	051400	051098	051097	051343	051334
5	STATIC GLAND NUT	2	251492D	251492D	251492D	251492D	251492D
6	TEFLON WASHER	2	251235A	251235A	251235A	251235A	251235A
7	RUBBER "O" RING	2	001238A	001238A	001238A	001238A	001238A
8	QUARTZ SLEEVE	1	151051A1	151051A2	151051A3	151051A4	151051A5
9	DRAIN PLUG	1	271216	271216	271216	271216	271216
10	CHAMBER	1	251525C1	251524C1	251523D1	251522E1	251521D1

ATLANTIC  **ULTRAVIOLET**
CORPORATION

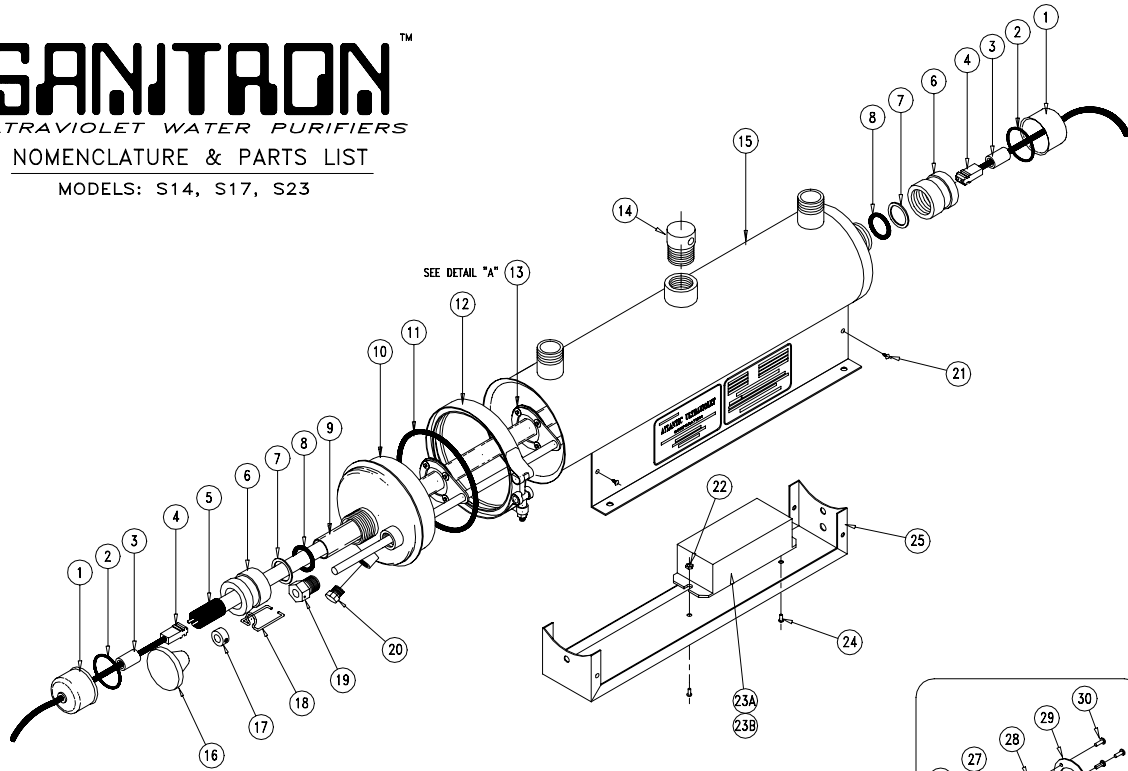
375 MARCUS BOULEVARD
HAUPPAUGE, N.Y. 11788
PHONE: (631) 273-0500
FAX: (631) 273-0771

SANITRON™

ULTRAVIOLET WATER PURIFIERS

NOMENCLATURE & PARTS LIST

MODELS: S14, S17, S23



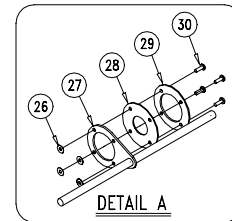
ITEM	DESCRIPTION	QTY	MODEL S14	MODEL S17	MODEL S23
			PART NO.	PART NO.	PART NO.
1	EASY OFF END CAP	2	251499A1	251499A1	251499A1
2	RUBBER O-RING	2	001108B	001108B	001108B
3	LAMP SPACER	2	250210A	250210A	250210A
4	LAMP SOCKET & LEAD WIRE	2	051219B2	051219B2	051219B3
5	GERMICIDAL ULTRAVIOLET LAMP	1	051400	051098	051097
6	STATIC GLAND NUT	2	251492D	251492D	251492D
7	TEFLON WASHER	2	251235A	251235A	251235A
8	RUBBER O-RING	2	001238A	001238A	001238A
9	QUARTZ SLEEVE	1	151051A1	151051A2	151051A3
10	FLARED HEAD	1	251539A1	251539A1	251539A1
11	RUBBER O-RING	1	000028A	000028A	000028A
12	CHAMBER HEAD CLAMP	1	251506B1	251506B1	251506B1
13	WIPER ROD ASSEMBLY	1	250082A	250083A	250084A
14	SIGHT PORT PLUG	1	251237A	251237A	251237A
15	CHAMBER	1	251525C1	251524C1	251523D1
16	WIPER KNOB	1	251222	251222	251222
17	WIPER LOCK SPACER	1	251512A1	251512A1	251512A1
18	WIPER CLIP	1	251507C1	251507C1	251507C1
19	DYNAMIC GLAND WIPER LOCK	1	251510C1	251510C1	251510C1
20	DRAIN PLUG	1	271216	271216	271216
21	BALLAST HOUSING SCREW	4	501323	501323	501323
22	BALLAST NUT	2	501314	501314	501314
23A	BALLAST 118V 60Hz	1	101070	101073	101071
23B	BALLAST 220V 50Hz	1	101074	101075	101076
24	BALLAST SCREW	2	501325	501325	501325
25	BALLAST HOUSING	1	251104A	251105A	251544B1
26	PUSHNUT	8	501223A	501223A	501223A
27	WELDED WIPER ROD	1	251534A1	251535A1	251536A1
28	TEFLON WIPER SEGMENT	4	251241A	251241A	251241A
29	WIPER BACKUP RING	2	251381A	251381A	251381A
30	RIVET	8	501300A	501300A	501300A

OPTIONAL ACCESSORIES: (NOT SHOWN)

ITEM	DESCRIPTION	QTY	PART NO.	PART NO.	PART NO.
31A	REMOTE ELAPSED TIME INDICATOR 118V	1	301001A	301001A	301001A
31B	REMOTE ELAPSED TIME INDICATOR 220V	1	301002A	301002A	301002A
32A	ULTRAVIOLET MONITOR 118V 60 Hz	1	300031	300031	300031
32B	ULTRAVIOLET MONITOR 220V 50 Hz	1	300032	300032	300032
33A	AUDIO ALARM 118V 60 Hz	1	301243A	301243A	301243A
33B	AUDIO ALARM 220V 50 Hz	1	301244A	301244A	301244A
34A	STAINLESS STEEL FLOW CONTROL VALVE	1		272003A	272006A
34B	BRASS FLOW CONTROL VALVE	1	271021	271022	271023
34C	PVC FLOW CONTROL VALVE	1		271402	271403
35A	SOLENOID VALVE 118V 60 Hz	1	271253A	271253A	271253A
35B	SOLENOID VALVE 220V 50 Hz	1	271254A	271254A	271254A
36	UNIVERSAL WALL MOUNTING KIT	1	250188B	250188B	250188B
37A	TIME DELAY 118V 60 Hz	1	301369A	301369A	301369A
37B	TIME DELAY 220V 50 Hz	1	300012A	300012A	300012A
38A	SENTRY SAFETY SENSOR 118V 60Hz	1	350101	350101	350101
38B	SENTRY SAFETY SENSOR 220V 50Hz	1	350102	350102	350102

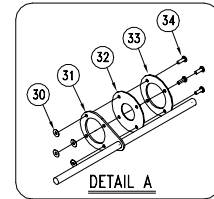
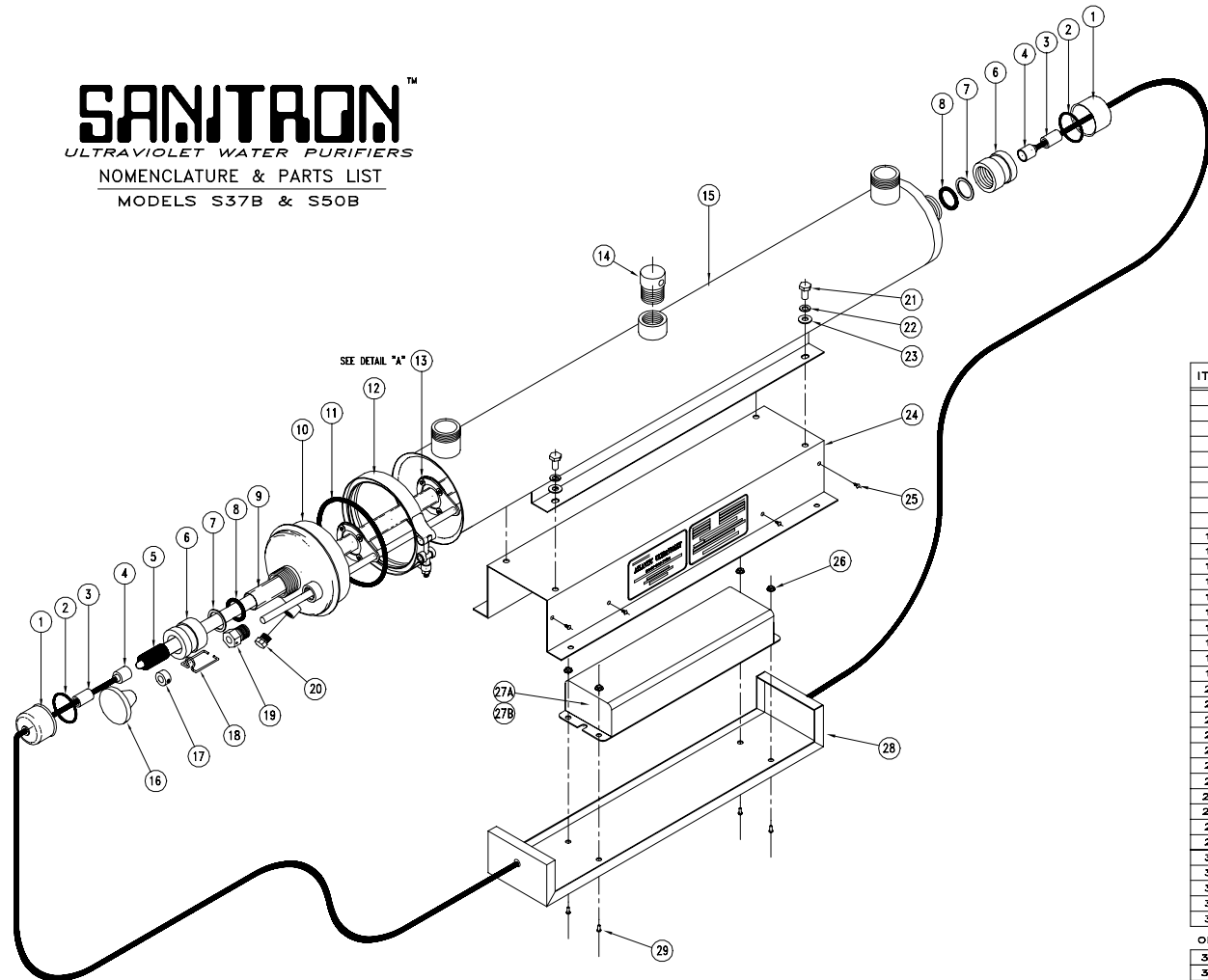
NOTES:

- CONSULT FACTORY FOR ELECTRICAL COMPONENTS OTHER THAN 118 VOLT/60Hz OR 220 VOLT/50Hz.
- LINE CORD AND PLUG (6 FEET IN LENGTH) NOT SHOWN, PART NUMBER ARE AS FOLLOWS:
 - PART NUMBER FOR 118 VOLT/60Hz: 351100
 - PART NUMBER FOR 220 VOLT/50Hz: 351452
- AN OPTIONAL DYNAMIC GLAND WIPER LOCK MADE FROM TYPE 304 STAINLESS STEEL IS AVAILABLE FOR APPLICATIONS WHERE BRASS MAY NOT BE SUITABLE. (REF. PART NUMBER 254041A)



SANITRON™

ULTRAVIOLET WATER PURIFIERS
NOMENCLATURE & PARTS LIST
MODELS S37B & S50B



ITEM	DESCRIPTION	QTY.	MODEL	
			S37B	S50B
1	EASY OFF END CAP	2	251499A1	251499A1
2	RUBBER O-RING	2	001108B	001108B
3	LAMP SPACER	2	250209A	250210A
4	LAMP SOCKET & LEAD WIRE	2	051218A2	051218A2
5	GERMICIDAL ULTRAVIOLET LAMP	1	051343	051334
6	STATIC GLAND NUT	2	251492D	251492D
7	TEFLON WASHER	2	251235A	251235A
8	RUBBER O-RING	2	001238A	001238A
9	QUARTZ SLEEVE	1	151051A4	151051A5
10	FLARED HEAD	1	251539A1	251539A1
11	RUBBER O-RING	1	000028A	000028A
12	CHAMBER HEAD CLAMP	1	251506B1	251506B1
13	WIPER ROD ASSEMBLY	1	250085A	250086A
14	SIGHT PORT PLUG	1	251237A	251237A
15	CHAMBER	1	251522F1	251521E1
16	WIPER KNOB	1	251222	251222
17	WIPER LOCK SPACER	1	251512A1	251512A1
18	WIPER CLIP	1	251507C1	251507C1
19	DYNAMIC GLAND WIPER LOCK	1	251510C1	251510C1
20	DRAIN PLUG	1	271216	271216
21	SCREW	4	501034	501034
22	LOCK WASHER	4	501321	501321
23	FLAT WASHER	4	501317	501317
24	BALLAST HOUSING COVER	1	250394A	250350A
25	BALLAST HOUSING SCREW	8	501323	501323
26	BALLAST NUT	4	501314	501314
27A	BALLAST 118V 60 Hz	1	101049	101049
27B	BALLAST 220V 50 Hz	1	101039	101039
28	BALLAST HOUSING	1	250395A	250351A
29	BALLAST SCREW	4	501325	501325
30	PUSHNUT	(NOTE 3)	501223A	501223A
31	WELDED WIPER ROD	1	251537A1	251538A1
32	TEFLON WIPER SEGMENT	(NOTE 4)	251241A	251241A
33	WIPER BACKUP RING	(NOTE 5)	251381A	251381A
34	RIVET	(NOTE 3)	501300A	501300A

OPTIONAL ACCESSORIES: (NOT SHOWN ABOVE)

35A	REMOTE ELAPSED TIME INDICATOR 118V	1	301001A	301001A
35B	REMOTE ELAPSED TIME INDICATOR 220V	1	301002A	301002A
36A	ULTRAVIOLET MONITOR 118V 60Hz	1	300031	300031
36B	ULTRAVIOLET MONITOR 220V 50Hz	1	300032	300032
37A	AUDIO ALARM 118V 60Hz	1	301243A	301243A
37B	AUDIO ALARM 220V 50Hz	1	301244A	301244A
38A	STAINLESS STEEL FLOW CONTROL VALVE	1	272012A	272020A
38B	BRASS FLOW CONTROL VALVE	1	271024	271025
38C	PVC FLOW CONTROL VALVE	1	—	271405
39A	SOLENOID VALVE 118V 60Hz	1	271125A	271255A
39B	SOLENOID VALVE 220V 50Hz	1	271127A	271256A
40	UNIVERSAL WALL MOUNTING KIT	1	250188B	250188B
41A	TIME DELAY 118V 60Hz	1	301369A	301369A
41B	TIME DELAY 220V 50Hz	1	300012A	300012A
42A	SENTRY SAFETY SENSOR 118V 60Hz	1	350103	350103
42B	SENTRY SAFETY SENSOR 220V 50Hz	1	350104	350104

NOTES:

- CONSULT FACTORY FOR ELECTRICAL COMPONENTS OTHER THAN 118 VOLT / 60 Hz OR 220 VOLT / 50 Hz.
- LINE CORD AND PLUG (6 FEET IN LENGTH) NOT SHOWN, PART NUMBERS ARE AS FOLLOWS:
A) PART NUMBER FOR 118 VOLT / 60 Hz: #351100
B) PART NUMBER FOR 220 VOLT / 50 Hz: #351452
- MODEL S37B REQUIRES A QUANTITY OF (12) FOR ITEMS 30 & 34 AND MODEL S50B REQUIRES A QUANTITY OF (16) OF ITEMS 30 & 34.
- MODEL S37B REQUIRES A QUANTITY OF (6) FOR ITEM 32 AND MODEL S50B REQUIRES A QUANTITY OF (8) FOR ITEM 32.
- MODEL S37B REQUIRES A QUANTITY OF (3) FOR ITEM 33 AND MODEL S50B REQUIRES A QUANTITY OF (4) FOR ITEM 33.
- AN OPTIONAL DYNAMIC GLAND WIPER LOCK MADE FROM TYPE 304 STAINLESS STEEL IS AVAILABLE FOR APPLICATION WHERE BRASS MAY NOT BE SUITABLE.
(REF. PART NO. 254041A)



Always Observe These Safety Precautions When Operating Ultraviolet Equipment

DO NOT – ALLOW UNIT TO FREEZE.

ALWAYS – DISCONNECT POWER BEFORE SERVICING ULTRAVIOLET UNIT.

ALWAYS – REPLACE GERMICIDAL LAMP ONCE EVERY YEAR OF SERVICE.

ALWAYS – PERFORM REGULAR MAINTENANCE AS RECOMMENDED IN OPERATING INSTRUCTIONS.

ALWAYS – EXERCISE CARE WHEN HANDLING GERMICIDAL LAMP OR QUARTZ SLEEVE AS THEY ARE FRAGILE.

ALWAYS – AVOID EXPOSURE TO ULTRAVIOLET RAYS. GERMICIDAL ULTRAVIOLET RAYS ARE HARMFUL TO EYES & SKIN

READ OPERATING INSTRUCTIONS COMPLETELY BEFORE USING ULTRAVIOLET UNIT

AFFIX
FIRST CLASS
POSTAGE
STAMP
HERE

ATLANTIC  **ULTRAVIOLET**
CORPORATION
375 MARCUS BOULEVARD
HAUPPAUGE, NEW YORK 11788



" THE STANDARD OF EXCELLENCE IN ULTRAVIOLET "
Manufacturers / Engineers / Sales / Service

375 MARCUS BOULEVARD
HAUPPAUGE, NEW YORK 11788
PHONE: (631) 273-0500
FAX: (631) 273-0771
FAX: (631) 273-0780

LIMITED WARRANTY

We warrant that this product will be free from defects in material and workmanship for a period of one year from the date of shipment thereof or the product's total rated life, whichever first occurs.

Buyer shall inspect the product promptly after receipt and shall notify us at our main office in writing of claims, including claims of breach of warranty, within thirty days after the buyer discovers or should have discovered the facts upon which the claim is based.

The provisions of the above warranty are our sole obligation and exclude all other remedies or warranties, express or implied, including warranties of merchantability and fitness for a particular purpose, whether or not purposes or specifications are described herein.

Under no circumstances shall the company be liable for any incidental, consequential or special damages, losses or expenses arising from the contract for this product, or in connection with the use of, or inability to use, our product for any purpose whatsoever.



OWNER REGISTRATION

PLEASE TYPE OR PRINT IN INK

PURCHASER'S NAME:

[Grid for purchaser name]

DATE OF PURCHASE

[Grid for date of purchase]

STREET

[Grid for street address]

MODEL NO.

[Grid for model number]

CITY

[Grid for city]

STATE

[Grid for state]

ZIP/POSTAL CODE

[Grid for zip/postal code]

SERIAL NO.

[Grid for serial number]

COUNTRY

[Grid for country]

TELEPHONE NO.

[Grid for telephone number]

EXTENSION

[Grid for extension]

PURCHASED FROM:

[Grid for purchased from]

TELEPHONE NO.

[Grid for telephone number]

EXTENSION

[Grid for extension]

STREET

[Grid for street address]

CITY

[Grid for city]

STATE

[Grid for state]

ZIP/POSTAL CODE

[Grid for zip/postal code]

COUNTRY

[Grid for country]

IMPORTANT: PLEASE FILL OUT AND RETURN IMMEDIATELY IN ORDER TO VALIDATE WARRANTY