



# T&S BRASS AND BRONZE WORKS, INC.

2 Saddleback Cove / P.O. Box 1088  
Travelers Rest, SC 29690



REG. #A2601  
ISO #9001

Model No.

**B-0205-LN**

Item No.

Travelers Rest, SC: 800-476-4103 • Simi Valley, CA: 800-423-0150 • Fax: 864-834-3518 • www.tsbrass.com

This Space for Architect/Engineer Approval

Job Name \_\_\_\_\_ Date \_\_\_\_\_

Model Specified \_\_\_\_\_ Quantity \_\_\_\_\_

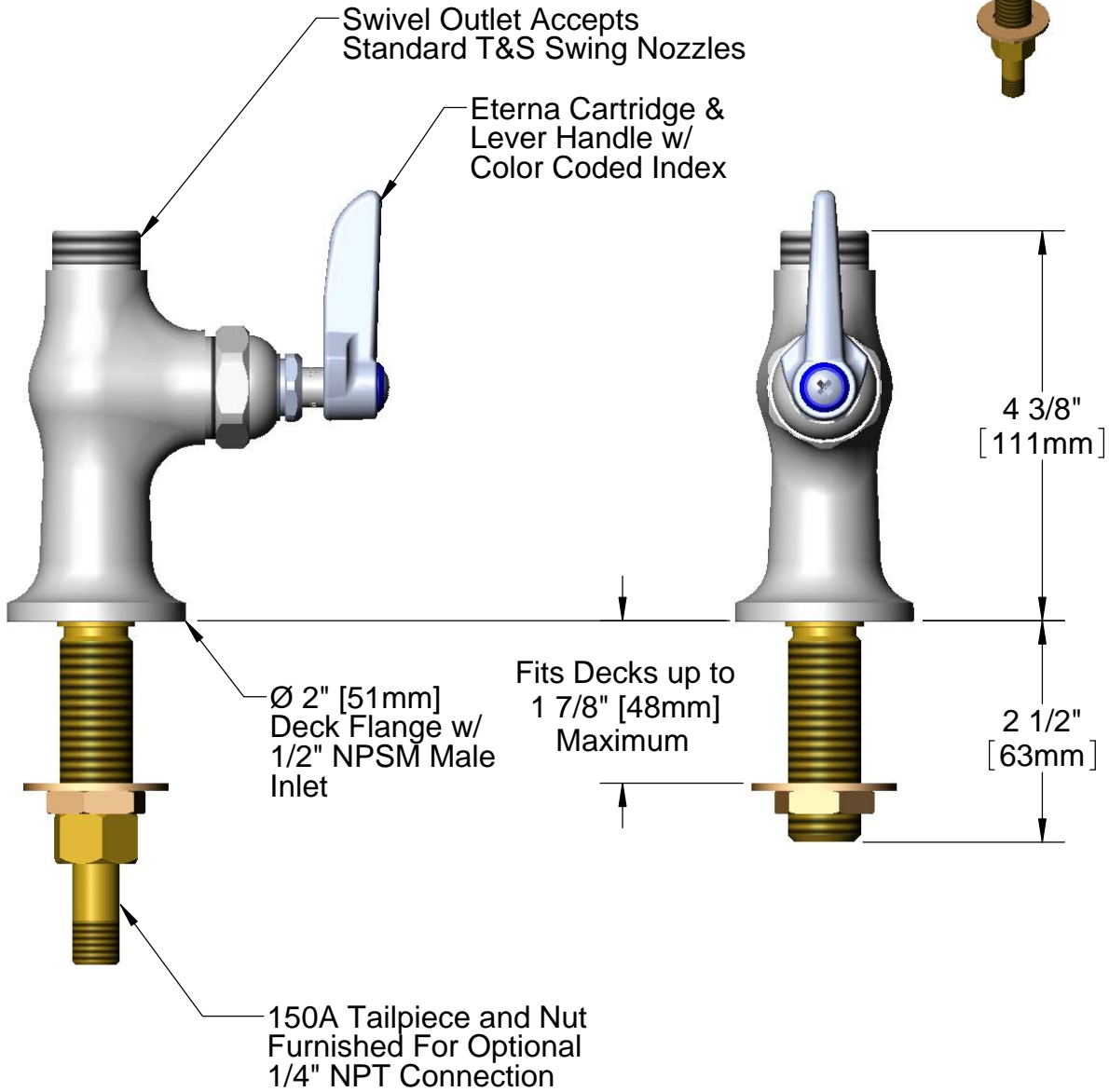
Customer/Wholesaler \_\_\_\_\_

Contractor \_\_\_\_\_

Architect/Engineer \_\_\_\_\_



**ADA Compliant**



Product Specifications:  
Single Pantry Faucet w/ Lever Handle Less Nozzle

Drawn <b>DHL</b>	Checked <b>KJG</b>	Approved <b>JHB</b>
Scale: <b>1:2</b>		Date: <b>06/17/11</b>



# T&S BRASS AND BRONZE WORKS, INC.

2 Saddleback Cove / P.O. Box 1088  
Travelers Rest, SC 29690



REG. #A2601  
ISO #9001

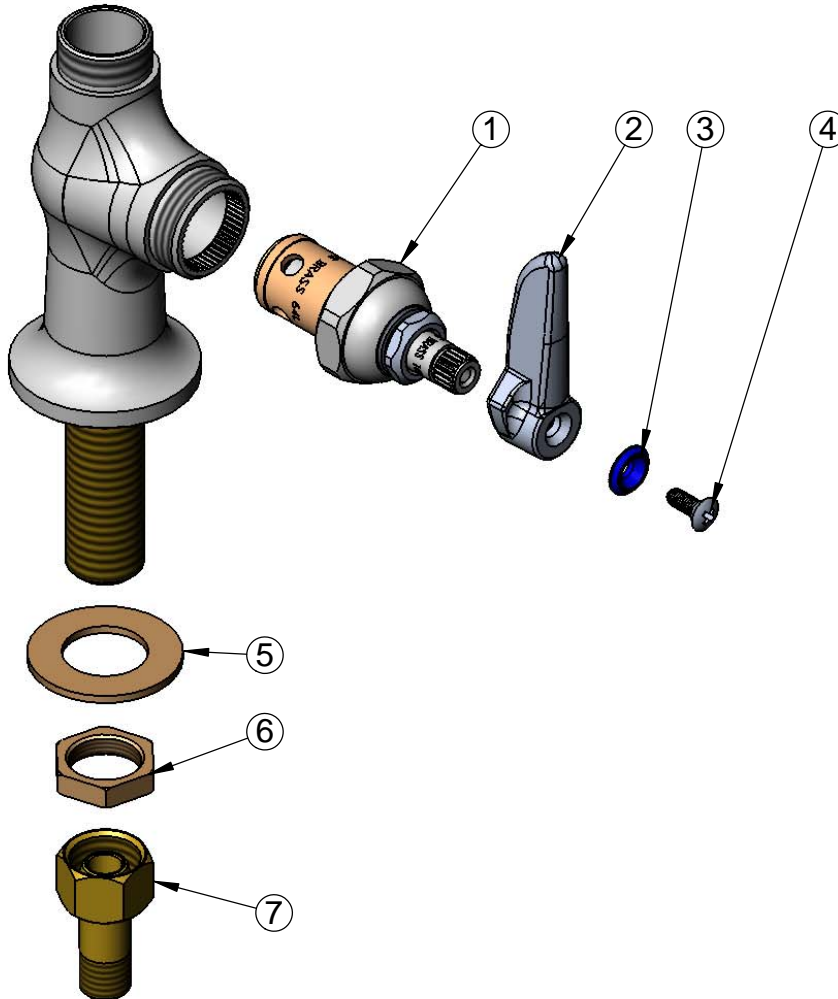
Model No.

**B-0205-LN**

Item No.

Travelers Rest, SC: 800-476-4103 • Simi Valley, CA: 800-423-0150 • Fax: 864-834-3518 • www.tsbrass.com

ITEM NO.	SALES NO.	DESCRIPTION
1	005960-40	Eterna Cartridge - RTC
2	001638-45	Lever Handle
3	001660-45	Blue Index-CW
4	000922-45	Lever Handle Screw
5	000999-45	Brass Lock Washer
6	002954-45	Shank Lock Nut
7	150A	Tapered Tailpiece Assembly For 1/4" NPT Connection



Product Specifications:  
Single Pantry Faucet w/ Lever Handle Less Nozzle

Drawn

DHL

Checked

KJG

Approved

JHB

Scale:

NTS

Date:

06/17/11