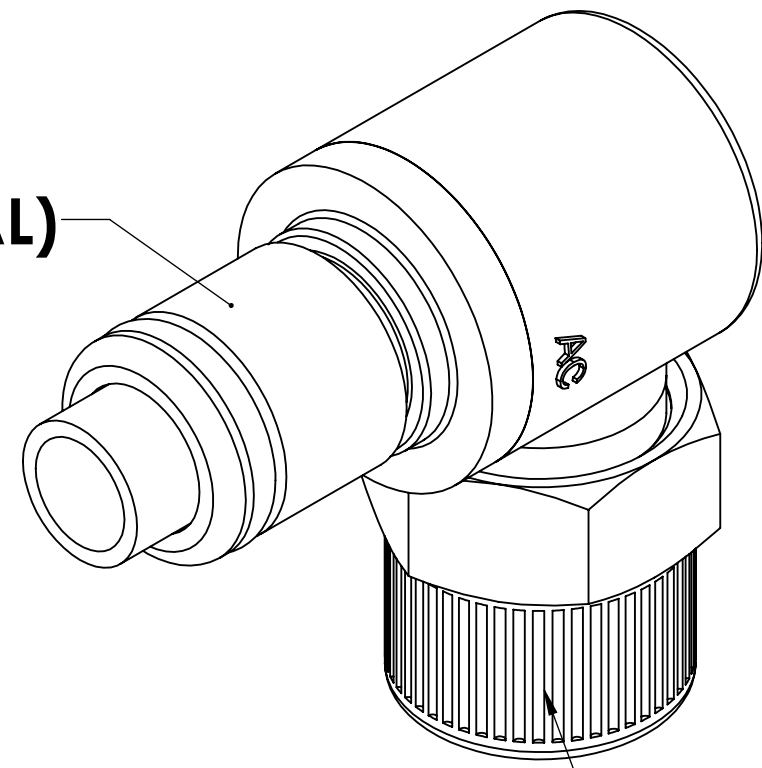


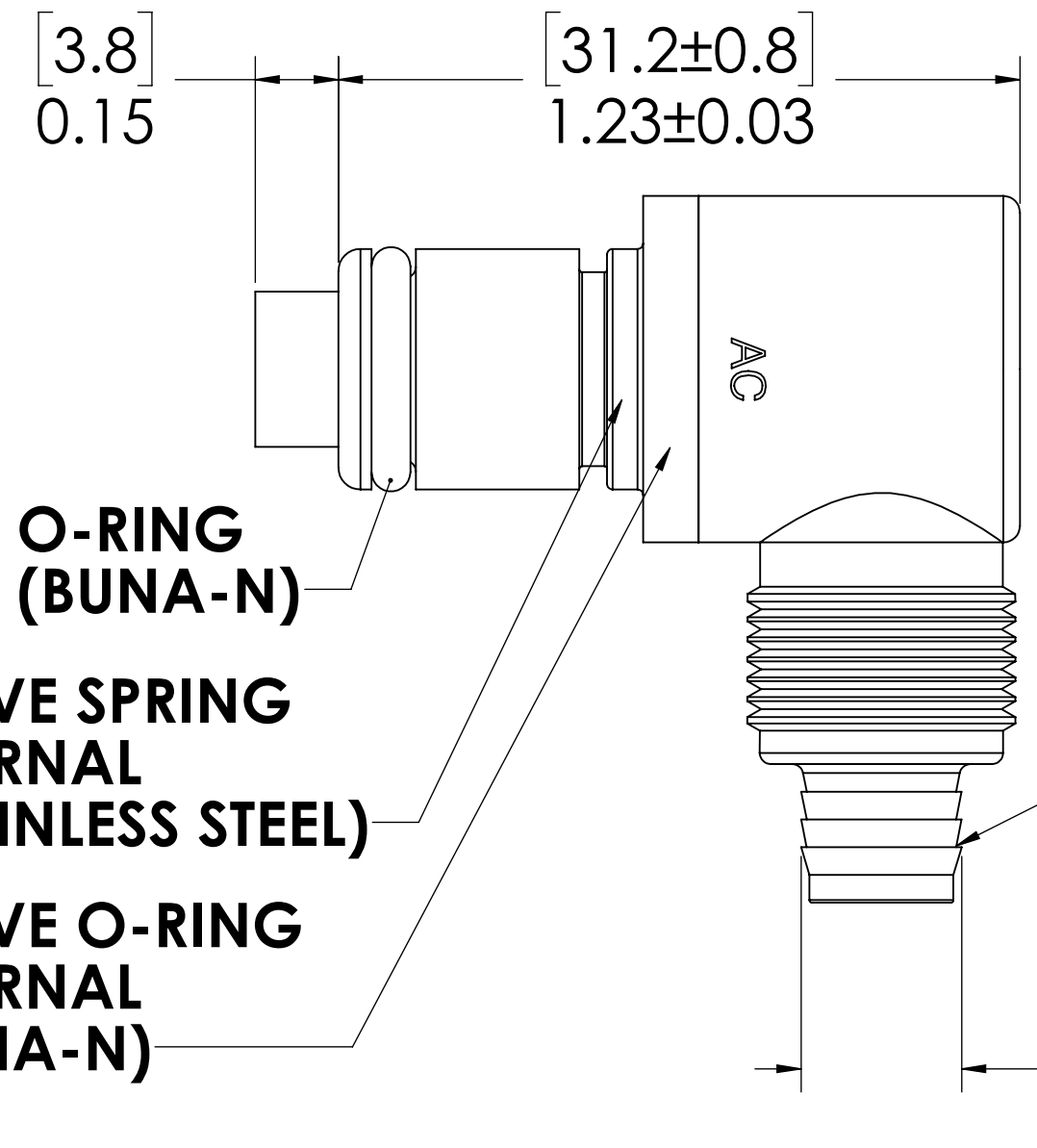
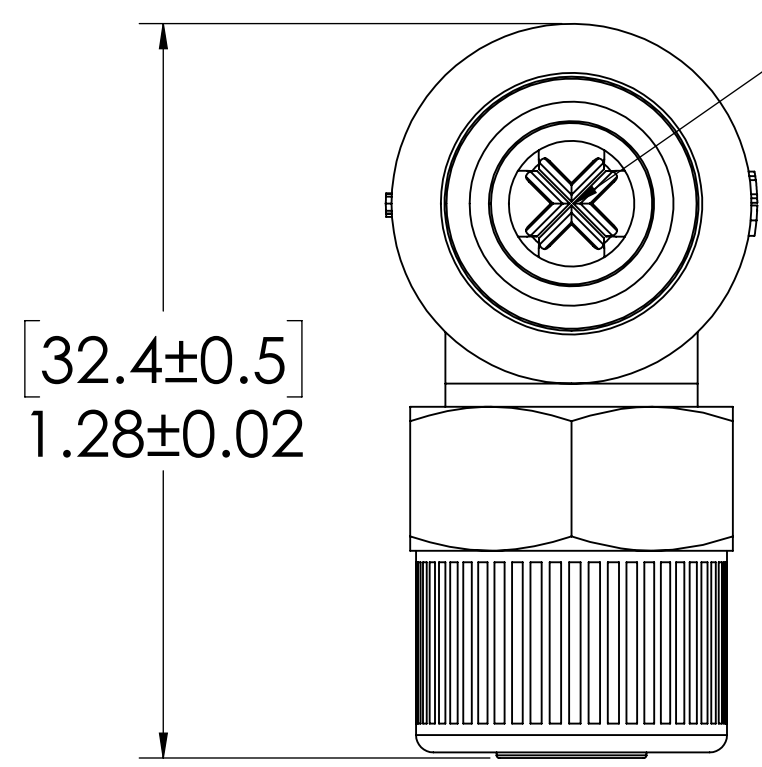
REVISIONS						
SHEET	ZONE	REV.	ECO	DESCRIPTION	DATE	APPROVED
1	ALL	A	50306	INITIAL RELEASE	9/18/2019	HRC

**PLUG,
(ACETAL)**



**PTF NUT
(BRASS, NICKEL PLATED)
(PACKAGED SEPARATELY)**

**VALVE,
(ACETAL)**



- NOTES:**
- MATERIAL: ACETAL
 - COLOR: NATURAL WHITE
 - O-RING MATERIAL: BUNA-N
 - O-RINGS LUBRICATED WITH FOOD GRADE SILICONE OIL, 350 CST.

FOR REFERENCE ONLY

<small>UNLESS OTHERWISE SPECIFIED: DIMENSIONS ARE IN INCHES TOLERANCES: FRACTIONAL ± 1/32 ANGULAR: MACH ± 0.5 BEND ± 2 ONE PLACE DECIMAL ± 0.1 TWO PLACE DECIMAL ± 0.01 THREE PLACE DECIMAL ± 0.005 TWO PLACE DUAL (mm) [±0.12]</small>	DRAWN	RDA	9/6/2019	
	CHECKED	HRC	9/19/2019	
	ENG APPR.	HRC	9/19/2019	
	MFG APPR.	BDB	9/19/2019	
<small>PROPRIETARY AND CONFIDENTIAL THE INFORMATION CONTAINED IN THIS DRAWING IS THE SOLE PROPERTY OF LINKTECH LLC. ANY REPRODUCTION OR DISCLOSURE IN PART OR AS A WHOLE WITHOUT THE WRITTEN PERMISSION OF LINKTECH LLC IS STRICTLY PROHIBITED.</small>	Q.A.	JJB	9/19/2019	PART NO: 40ACV-PB10-06 DESCRIPTION: LinkTech 40AC Series Elbow Male, Valved, 3/8" PTF, Natural Acetal
<small>SCALE: NTS WEIGHT:</small>		<small>SHEET 1 OF 1</small>		SIZE DWG. NO. REV C 40AC400290 A