

Model#

P5S401213F1A

2-Way, Stainless Steel Pilot Diaphragm Solenoid Valve, Normally Open

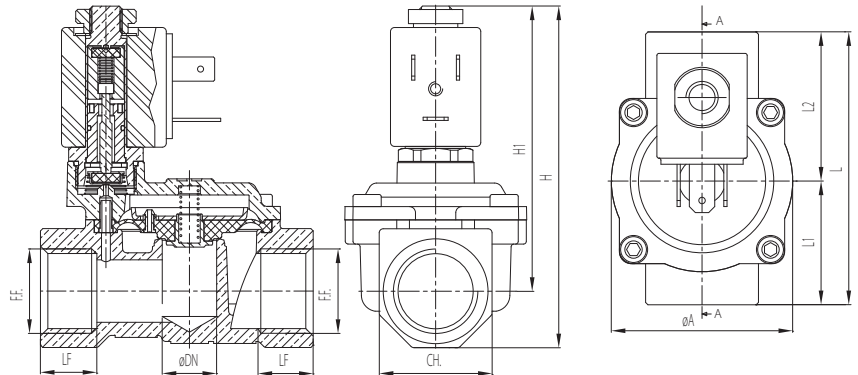
Technical Specifications

Pipe Size (Inch)	Orifice Size (Inch)	Flow Factor (CV)	
1/2"	1/2"	4	
Voltage	Power	Min. Pressure (PSI)	Max Pressure (AC)
120VAC	17VA	1.5	217
Temperature Range	Medium Examples	Sealing Material	
5° - 302° F	Light Oils, Air, Water	FKM	



Valve Dimensions

(F.F):	1/2"
(DN):	1/2"
(L):	2 11/16"
(L1):	1 7/16"
(L2):	1 3/16"
(ØA):	1 3/4"
(LF):	9/16"
(H1):	2 13/16"
(H):	3 5/16"
(CH):	1 1/8"



Electrical Connection

Rating:	NEMA 4/ IP 65
Strain Relief Connector:	Model 040



Note: Valve is pictured above with a sample coil, which may or may not reflect exact specifications of this particular build.