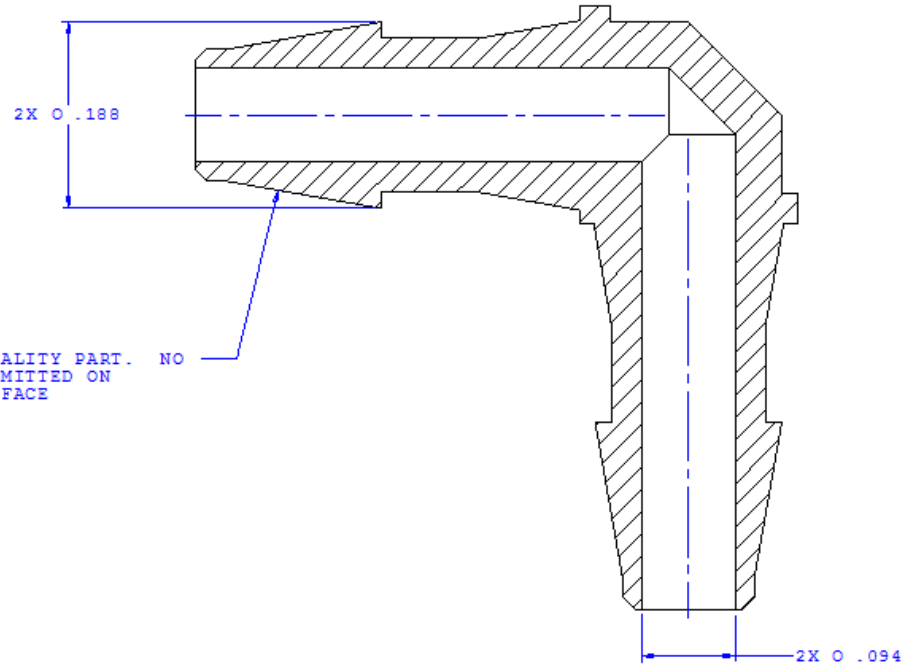
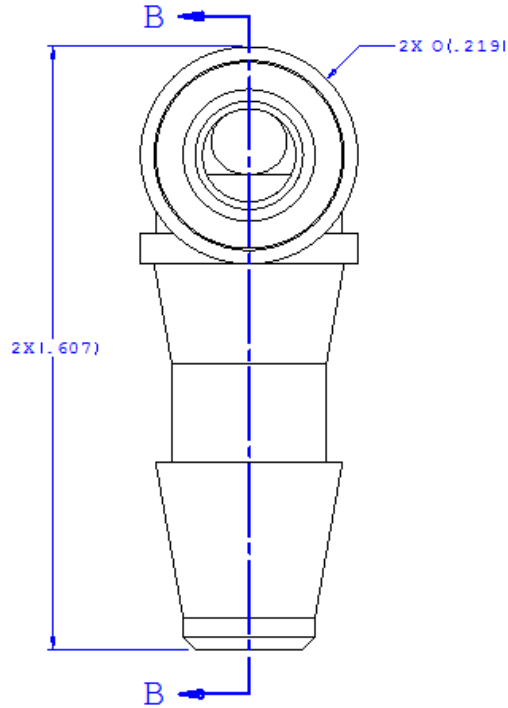
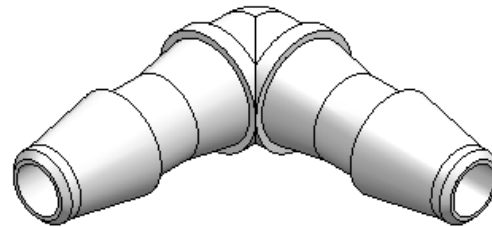


NOTE: FOR MORE DETAILS SEE YOUR V.P. CUSTOMER SERVICE REP.

REVISIONS			
REV.	DESCRIPTION	DATE	APPROVED
A	INITIAL RELEASE	05-03-02	
B	CO 027 Drafting Update	11-16-05	Rick C.



SECTION B-B



UNLESS OTHERWISE SPECIFIED DIMENSIONS ARE IN INCHES TOLERANCES ARE:		VALUE PLASTICS, INC.	
FRACTIONS	DECIMALS	ANGULAR	PART NUMBER: L230
1/2	.001	31°	DESCRIPTION: Elbow Connector with 200 Series Barbs, 1/8" (3 mm) ID Tubing
.001	.005		DATE: 09-13-05
.005	.010		SCALE: NTS
.010	.020		DRAWING NUMBER: 1007495
DO NOT SCALE DRAWING		REV.:	B
DRAWN BY: Frank Lombardi	DATE: 09-13-05	© 2005 VALUE PLASTICS, INC.	QUANTITY: 1 OF 1
ENGINEER MANAGER: Rick Cairns			

FOR REFERENCE ONLY