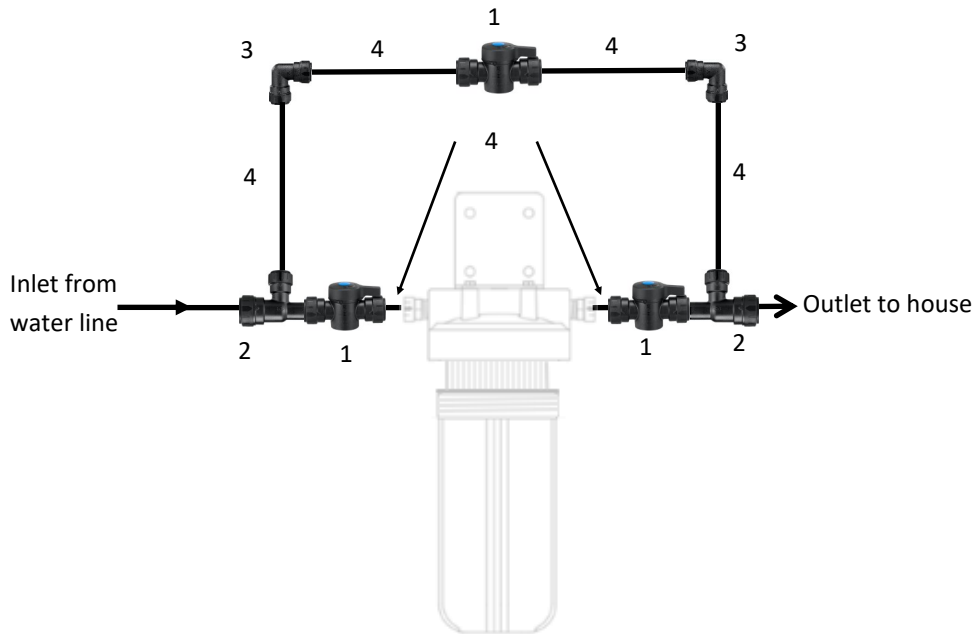


3 Valve Bypass Installation Diagram



Number	Description	QTY
1	In Line Shut Off Valve 3/4 CTS	3
2	Stackable Tee 3/4 CTS	2
3	Union Elbow 3/4 CTS	2
4	PEX B Tubing 3/4 CTS, White	3ft

Best practice for a point-of-entry filter housing installation is to include a bypass assembly to make changing filters easier as well as having a way to bypass the filter housing in the event of a clogged filter cutting off the water supply to the house. This also is important should something happen to the housing to cause damage or a leak so it can be bypassed and not interrupt water flow to the house.

This configuration installs the same regardless of water flow left or right and with 1-3 housings. In service the top valve is closed and the inlet and outlet valves are open. To by pass the housing, open the top valve and close the inlet and outlet valves.