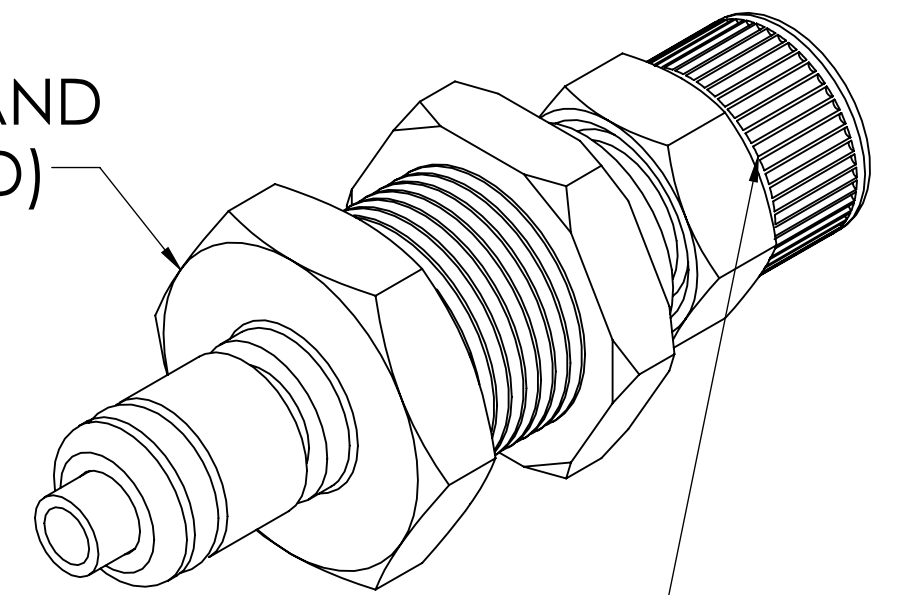
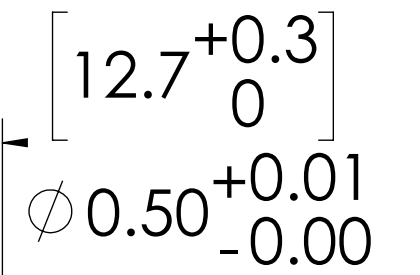
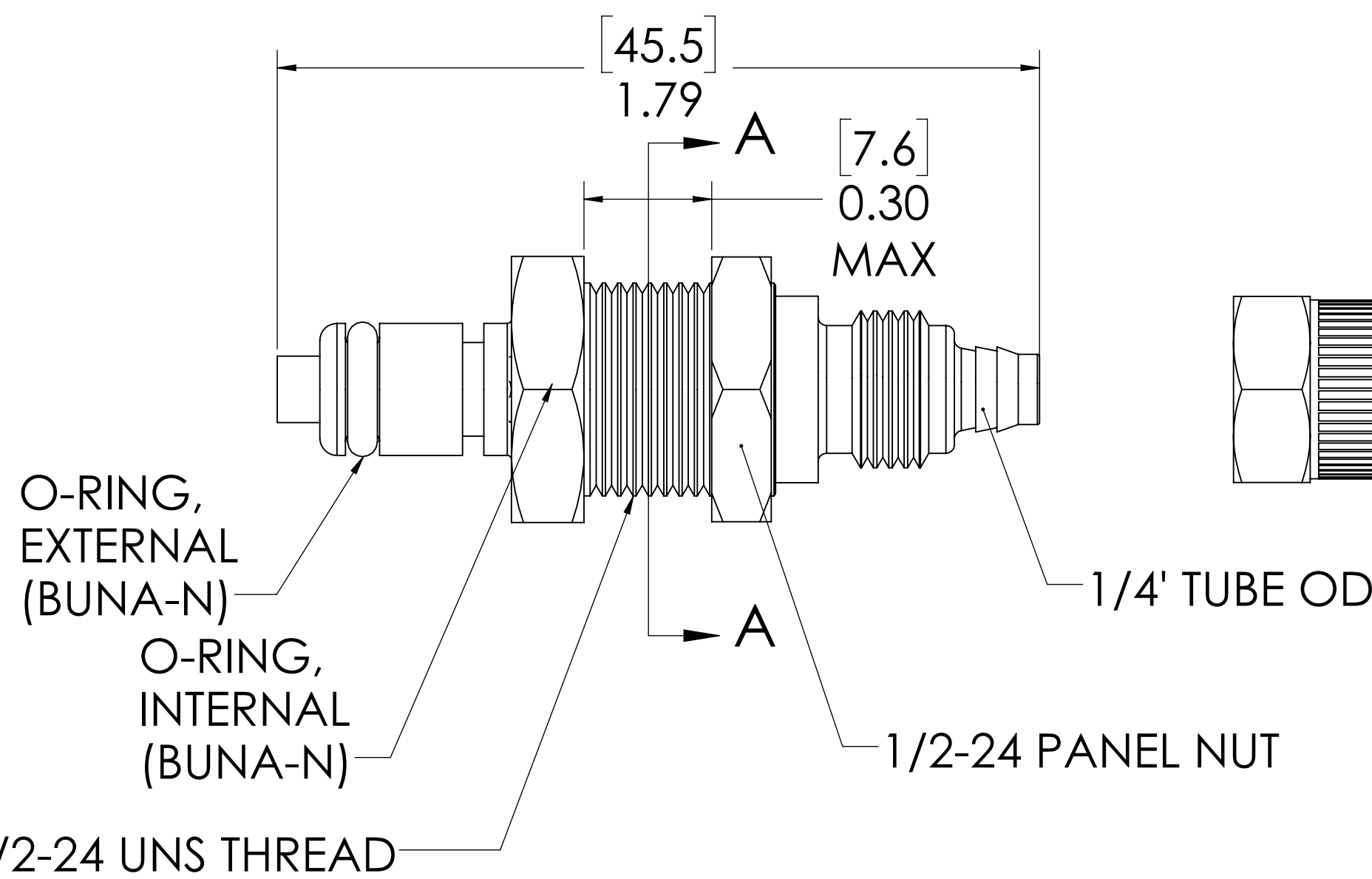
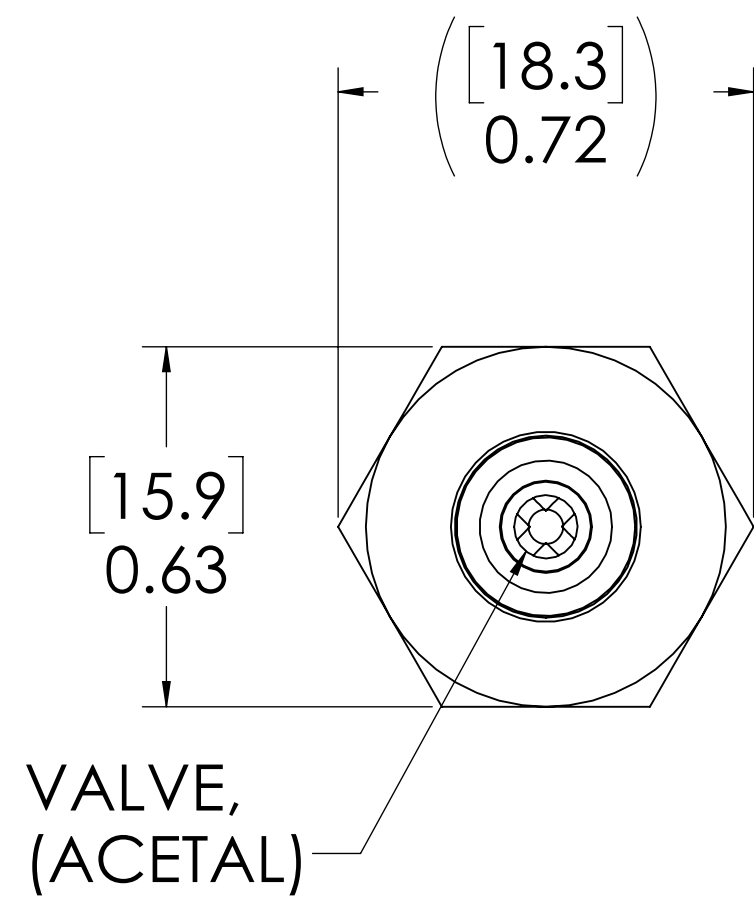


REVISIONS						
SHEET	ZONE	REV.	ECO	DESCRIPTION	DATE	APPROVED
1	ALL	A	50253	2017 DRAWING FORMAT UPDATE	2/6/2018	HRC

PLUG,
(BRASS,NICKEL AND
CHROME PLATED)



1/4" PTF NUT
(BRASS, NICKEL PLATED)
PACKAGED SEPARATELY



NOTES:

- MATERIAL: BRASS
- FINISH: CHROME
- O-RING MATERIAL: BUNA-N
- O-RINGS LUBRICATED WITH FOOD GRADE SILICONE OIL, 350 CST.

FOR REFERENCE ONLY

<small>UNLESS OTHERWISE SPECIFIED: DIMENSIONS ARE IN INCHES TOLERANCES: FRACTIONAL ±1/32 ANGULAR: MACH ±0.5 BEND ±2 ONE PLACE DECIMAL ±0.1 TWO PLACE DECIMAL ±0.01 THREE PLACE DECIMAL ±0.005 TWO PLACE DUAL (mm) [±0.12]</small>	DRAWN	RDA	8/16/2017	
	CHECKED	HRC	08-16-17	
	ENG APPR.	HRC	02-06-18	
	MFG APPR.	BDB	02-06-18	
PRODUCTION	RK	02-06-18		PART NO: 20CBV-PB8-04 DESCRIPTION: LinkTech 20CB Series Panel Mt. Male, Valved, 250 PTF, Chrome Brass
<small>PROPRIETARY AND CONFIDENTIAL THE INFORMATION CONTAINED IN THIS DRAWING IS THE SOLE PROPERTY OF LINKTECH LLC. ANY REPRODUCTION OR DISCLOSURE IN PART OR AS A WHOLE WITHOUT THE WRITTEN PERMISSION OF LINKTECH LLC IS STRICTLY PROHIBITED.</small>	COMMENTS:			SIZE DWG. NO. C 20CB200024 REV A SCALE: NTS WEIGHT: SHEET 1 OF 1