

# BOOSTER SYSTEMS WITH FLOW SWITCH

Models: **BF14-30, BF20-30, BF14-45 & BF20-40**

DEPEND ON  
**DAVEY**

**WATER PRODUCTS**

## BF STAINLESS STEEL BOOSTER SYSTEMS

### PRODUCT DESCRIPTION

Economical, compact, booster systems driven by quiet, efficient, stainless steel pumps.

The flow switch control module replaces the conventional pressure switch and provides constant flow without cycling. This feature also provides loss of prime protection.

### APPLICATIONS

Ideal for boosting water pressure in :-

- Homes where the incoming municipal water supply pressure is inadequate
- Domestic & light industrial irrigation



### DESIGN FEATURES

#### PUMP

Single impeller or multistage centrifugal.

Closed vane impellers.

Unique floating impeller neckrings.

High grade stainless steel pump shaft, impeller/s, diffuser/s & casing.

Vertical discharge.

Mechanical shaft seal.

O-ring casing seals.

Flow switch control.

#### MOTOR

Davey designed.

2 pole, 3420rpm, 60Hz.

TEFC with IP55 enclosure.

Class F insulation.

Permanently split capacitor design.

Heavy duty cast aluminum lantern bracket and drive end endshield.

Protected against both high operating temperatures and high current by a built-in automatically resetting thermal overload.

### BENEFITS

- Manufactured from highest quality corrosion resistant materials - meets ANSI/NSF61 and CSA-C/US.
- Flow switch offers even flow without cycling
- Pump protected from damage caused by dry running
- TEFC motor is corrosion resistant and excludes dust and dirt
- Motor and pump designed for frequent starts
- Quick and easy installation
- Low maintenance
- Easy to service if required
- Compact design
- Unique floating neckrings provide outstanding efficiency without compromising grit handling

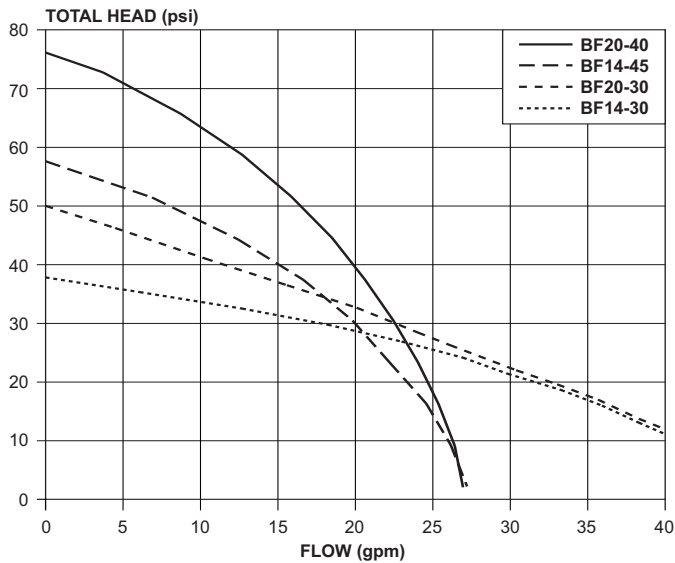
### OPERATING LIMITS

Capacities to	30 gpm
Max. total head to	76 psi
Cut-in flow rate	1.2 gpm
Cut-out flow rate	0.7 gpm
Max. liquid temperate	150° F
Max. ambient temperature	120° F
Max. suction lift	Not Applicable
Inlet size	1 1/4" F
Outlet size	1" M
Max. pump casing pressure	116 psi
Max. system pressure	100 psi

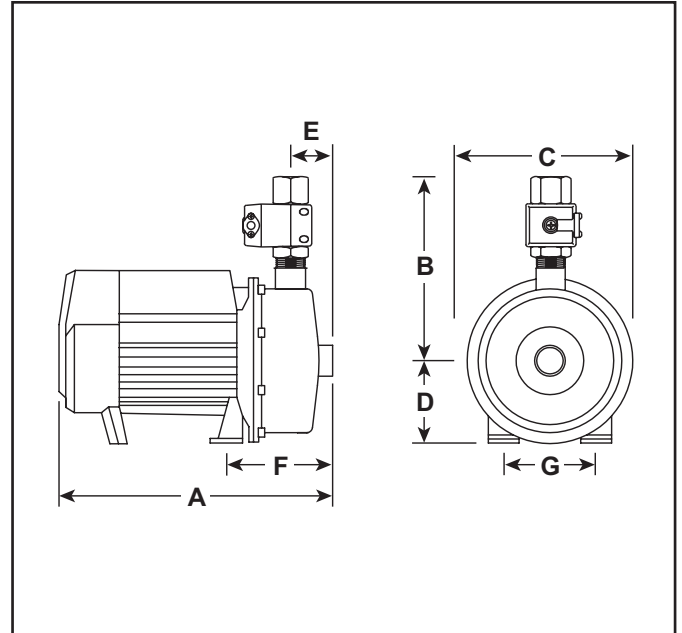


# TECHNICAL SPECIFICATIONS

## HYDRAULIC PERFORMANCE







## DIMENSIONS



Model	A	B	C	D	E	F	Inlet	Outlet	Net Weight (lbs)	G Hole Diameter@ Centres	
BF14-30	13.8"	8.85"	8.66"	4.33"	1.96"	5.7"	1 1/4" F	1" M	24.9	0.35"	4.72"
BF20-30	17.4"	7.36"	6.7"	3.54"	5.31"	8.85"	1 1/4" F	1" M	25.6	0.27"	3.93"
BF14-45	15.35"	7.36"	6.7"	3.54"	3.25"	6.81"	1" F	1" M	23.7	0.27"	3.93"
BF20-40	17.4"	7.36"	6.7"	3.54"	5.31"	8.85"	1" F	1" M	25.6	0.27"	3.93"

All dimensions in inches unless otherwise stated.

## PERFORMANCE TABLE

	Inlet Pressure in psi	Pump Discharge Pressure (psi) Flow Rate (gpm)					Maximum Pressure in psi
		0	5	10	15	20	
BF14-30 Small homes to weekenders 	30	68.0	65.0	63.0	61.0	-	38
	40	78.0	75.0	73.0	71.0	-	
	60	98.0	95.0	93.0	91.0	-	
BF20-30 Large homes 	20	70.0	65.0	61.0	56.0	52.0	50
	30	80.0	75.0	71.0	66.0	62.0	
	50	100.0	95.0	91.0	86.0	82.0	
BF14-45 Small homes with double storeys or long runs of plumbing 	10	68.0	63.0	58.0	50.0	-	58
	20	78.0	73.0	68.0	60.0	-	
	40	98.0	93.0	88.0	80.0	-	
BF20-40 Average to large homes with double storeys or long runs of plumbing 	10	86.0	81.0	73.0	63.0	50.0	76
	20	96.0	91.0	83.0	73.0	60.0	



To make selecting your Davey pressure booster system easier, Davey provide a guide to the number of taps that can be operated at the same time without substantially reducing performance, assuming an average delivery of three gallons per minute per tap and a 5ft suction lift.

# FLOW SWITCH CONTROL

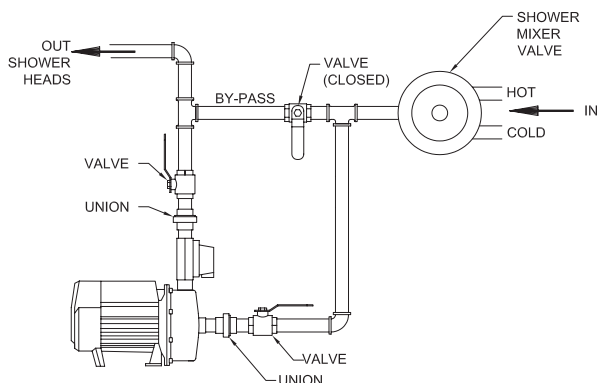
How many times do you take a shower, only to be disappointed at the poor pressure from your municipal supply?

The Davey Booster with flow switch is specifically designed to overcome this issue. Every time you draw more than 1.2gpm from the mains supply the booster system will turn the pump on, giving your water an extra 30 to 70psi boost, depending on model.

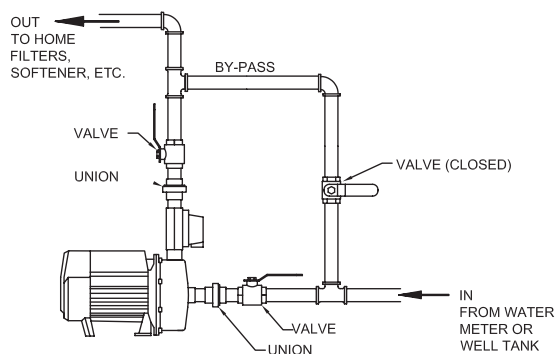
When the flow drops below 0.7gpm the pump switches off, so you don't have to worry about slow leaks or dripping taps turning the pump on and off in the middle of the night!

If your mains supply fails, the pump will stop. This protects the pump from damaging itself. When mains flow is returned, the pump is able to restart by itself, provided the flow is over 1.2gpm.

## SHOWER BOOSTING



## HOME BOOSTING



This literature is not a complete guide to product usage. Further information is available from your Davey dealer, Davey Customer Service Centre and from the relevant product Installation and Operating Instructions. This data sheet must be read in conjunction with the relevant product Installation and Operating Instructions and all applicable statutory requirements. Product specifications may change without notice.

© Davey and Torrium are registered trademarks of Davey Water Products Pty Ltd. © Davey Water Products Pty Ltd 2007.

DEPEND ON  
**DAVEY**

**WATER PRODUCTS**

### Davey Water Products Pty Ltd

Member of the GUD Group  
ABN 18 066 327 517

#### Davey Pumps Inc. USA Distribution Center

1005 N. Commons Drive  
Aurora, Illinois 60504  
Ph: +1 630 898 6976  
Toll Free: +1 866 328 7867  
Fax: +1 630 851 7744  
Website: daveyusa.com  
E-mail: sales@daveyusa.com

#### Head Office

6 Lakeview Drive,  
Scoresby, Australia 3179  
Ph: +61 3 9730 9222  
Fax: +61 3 9753 4100  
Website: davey.com.au



Offices also in Germany and New Zealand

USA023/3K/0607/SC