



T&S BRASS AND BRONZE WORKS, INC.
 2 Saddleback Cove / P.O. Box 1088
 Travelers Rest, SC 29690

Model No.
B-1097

Item No.

Travelers Rest, SC: 800-476-4103 • Simi Valley, CA: 800-423-0150 • Fax: 864-834-3518 • www.tsbrass.com

This Space for Architect/Engineer Approval

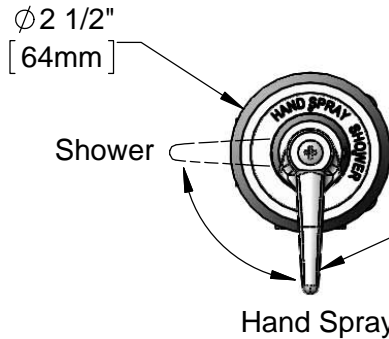
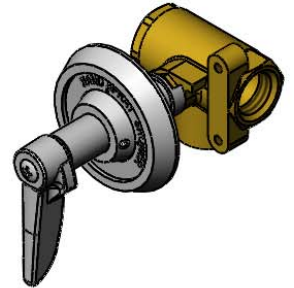
Job Name _____ Date _____

Model Specified _____ Quantity _____

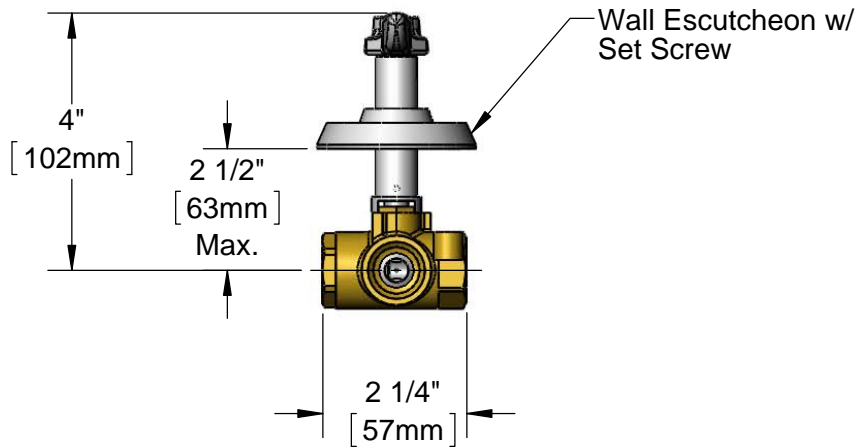
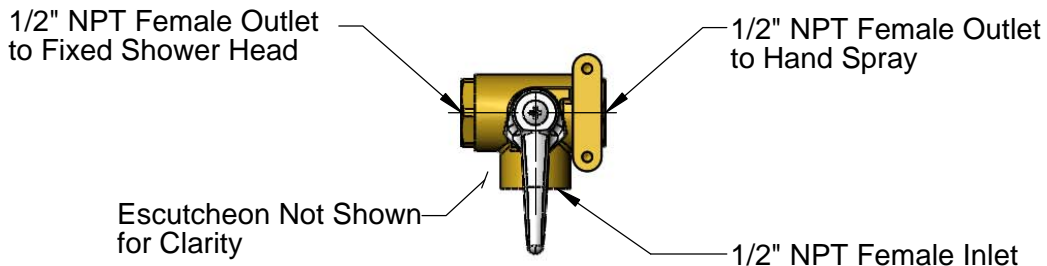
Customer/Wholesaler _____

Contractor _____

Architect/Engineer _____



Rotate Lever Handle 1/4 Turn Between Shower or Hand Spray Positions. Handle Points to Indicator Markings on Escutcheon.



Product Specifications:
 2 Way Diverter Valve For Showers, 1/2" NPT Female Connections
 (Not a Shut-Off Valve)

Drawn DMH	Checked KJG	Approved JHB
Scale: 1:3		Date: 06/04/13