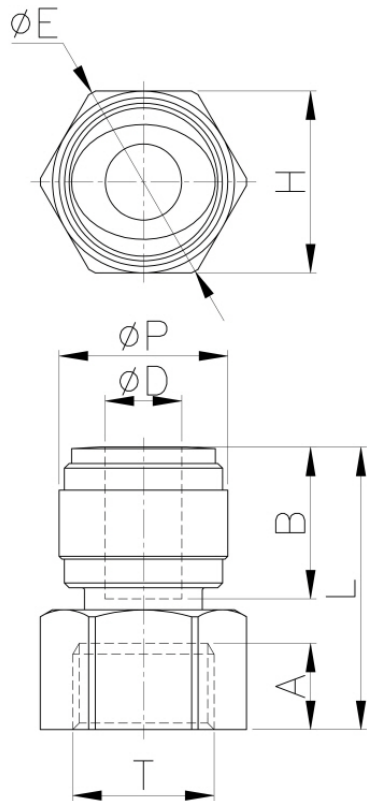


# Female Adapter (BSPP)

Pressure Ratings			
	< 5/16"	3/8"	1/2"
33 °F	290 psi	232 psi	203 psi
68 °F	290 psi	232 psi	203 psi
150 °F	232 psi	203 psi	116 psi

Torque Allowance					
Thread Size	1/8"	1/4"	3/8"	1/2"	3/4"
Max Torque	1.1 ft lbs	1.1 ft lbs	2.2 ft lbs	2.2 ft lbs	2.9 ft lbs



Model	ØD	ØP	T(BSPP)	L	A	B	H(Hex)	ØE	WEIGHT(g)
AFAC4-G3	1/4	0.591	3/8	1.165	0.354	0.665	0.945	1.075	8.6
AFAC4-G4	1/4	0.787	1/2	1.480	0.492	0.665	1.063	1.181	13.9
AFAC4-G6	1/4	0.610	3/4	1.346	0.276	0.665	1.445	1.638	36.3
AFAC5-G4H	5/16	0.693	1/2	1.240	0.394	0.598	0.984	1.083	10.1
AFAC5-G5H	5/16	0.693	5/8	1.370	0.374	0.689	1.102	1.197	13
AFAC6-G3	3/8	0.787	3/8	1.461	0.354	0.795	0.945	1.075	13.9
AFAC6-G4	3/8	0.787	1/2	1.512	0.492	0.795	1.063	1.181	13.4
AFAC6-G4H	3/8	0.787	1/2	1.346	0.354	0.795	0.984	1.083	10.7
AFAC6-G5	3/8	0.787	5/8	1.504	0.531	0.795	1.142	1.260	14.8
AFAC6-G5H	3/8	0.787	5/8	1.386	0.374	0.795	1.102	1.197	13.2
AFAC6-G6	3/8	0.787	3/4	1.457	0.276	0.795	1.445	1.638	39.3
AFAC8-G4	1/2	0.906	1/2	1.650	0.492	0.988	1.063	1.181	15.5