

**T&S BRASS AND BRONZE WORKS, INC.**  
 2 SADDLEBACK COVE / P.O. BOX 1088 / TRAVELERS REST, SC 29690  
 PHONE 800-476-4103 FAX 864- 834-3518



Model No.

B-0963-RK

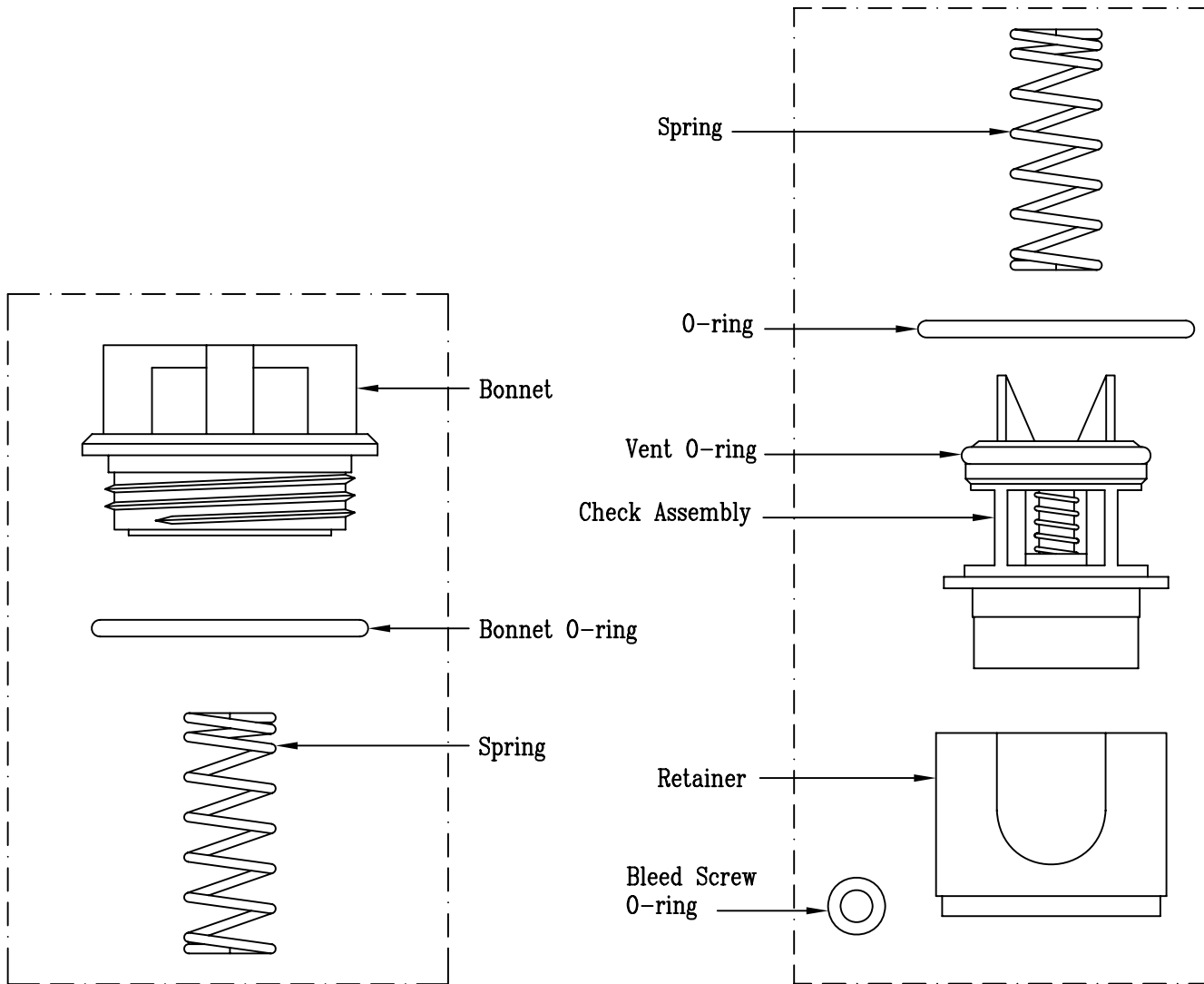
Item No.:

REG.#A2601  
 ISO #9002

Job Name:

Architect/Engineer Approval:

Notes:



Bonnet Repair Kit

Check Assembly Repair Kit

Product Description:  
 B-0963 Vacuum Breaker Repair Kit

Drawn:

KJG

Checked

DHL

Scale:

1' = 1'

Approved

JHB

Date:

08/26/08