

# 3M™ Water Filtration Products

SPEC# \_\_\_\_\_

QUANTITY \_\_\_\_\_

Application:

**FULL FLOW**

Use on Main Faucets

model:

**FF-6000**



- 6000 Gallon Capacity
- 2.5 GPM Service Flow
- 0.5 Nominal Micron Rating
- Reduces: - Lead
  - Cyst
  - Chlorine Taste and Odor
  - Particulate Class 1
  - Select VOC's ( See PDS Sheet for Details)

## PRODUCT BENEFITS

- 2.5 GPM allows filter system to be used on existing faucets
- 3/8" "Push in Fittings" on filter head makes installation easy
- Shut off valve in head eliminates the need to turn off water supply during filter changes
- Sanitary Quick Change, eliminates the need to handle filter media
- Easy filter change outs, just a 1/4" turn to remove and insert
- Integral Bracket and Head assembly

## PRODUCT SPECIFICATIONS

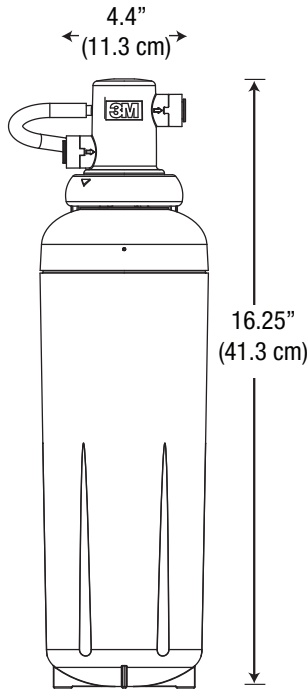
Model Number	Part Number	Description	Service Flow Rate	Connections	Replacement Cartridge
FF-6000	05-80401	Full Flow System	2.5 GPM (9.4 lpm)	3/8" Push in Fittings	47-919901



# FF-6000

# 3M™ Water Filtration Products

SPEC# \_\_\_\_\_  
QUANTITY \_\_\_\_\_  
MODEL NUMBER \_\_\_\_\_  
PART NUMBER \_\_\_\_\_



**⚠ WARNING: To reduce the risk associated with the ingestion of contaminants:**

• Do not use with water that is microbiologically unsafe or of unknown quality without adequate disinfection before or after the system. Systems certified for cyst reduction may be used on disinfected water that may contain filterable cysts. EPA Establishment #070595-CT-001

3M Purification Inc. recommends regularly scheduled maintenance and replacement of the filter cartridge(s) in order for the product to perform as advertised/sold. 3M Purification Inc. shall not be liable for system failures due to improper maintenance.

## SPECIFICATIONS

- Includes head bracket with integral mounting bracket, 4 screws
- Inlet and outlet plumbing connections are 3/8" push in design
- System max operating pressure of 125 psi (862 kPa) and operating temperature of 100 °F (37.8 °C)
- Filter cartridge incorporates a carbon block media protected by a pleated pre filter
- 6000 Gallon Capacity
- 2.5 gpm (9.4 lpm) flow rate
- 0.5 Nominal micron rating
- System is NSF Standard 42 & 53 compliant for the reduction of claims (see PDS sheet for full list of claims)
- CA Certified 10-2053
- Built in Valve shuts off water when changing filters

**\*How Big is a Micron? - A Micron is .000039 of an inch**  
Relative Sizes

- Human Eye can see 40 Micron (a thousand times smaller than the eye of a needle)
- Diameter of a Human Hair is about 20 Micron
- A Parasitic Protozoan Cyst is 5-15 Micron
- *E. Coli* Bacteria is 0.65 micron wide by 1.7 micron long  
The FF-6000 does not reduce bacteria

## IMPORTANT: INSTALLATION TIPS

These installation tips are for informational purposes only and are not intended to be used as actual installation instructions.

**CAUTION: To reduce the risk associated with property damage due to water leakage:**

- **Read and follow** Use Instructions before installation and use of this system.
- Installation and use **MUST** comply with all state and local plumbing codes.
- **Protect from freezing**, remove filter cartridge when temperatures are expected to drop below 40°F (4.4°C).
- **Do not install on hot water supply lines.** The maximum operating water temperature of this filter system is 100°F (37.8°C).
- **Do not install** if water pressure exceeds 125 psi (862 kPa). If your water pressure exceeds 80 psi (552 kPa), you must install a pressure limiting valve. Contact a plumbing professional if you are uncertain how to check your water pressure.
- **Do not install** where water hammer conditions may occur. If water hammer conditions exist you must install a water hammer arrester. Contact a plumbing professional if you are uncertain how to check for this condition.
- The disposable filter cartridge **MUST** be replaced every 12 months, at the rated capacity or if a noticeable reduction in flow rate occurs.

## LIMITED WARRANTY

3M Purification Inc. warrants this Product will be free from defects in material and manufacture for five (5) years from the date of purchase: The filter cartridge or filter membrane is warranted to be free from defects in material and manufacture for one (1) year. This warranty does not cover failures resulting from abuse, misuse, alteration or damage not caused by 3M Purification Inc. or failure to follow installation and use instructions. No warranty is given as to the service life of any filter cartridge or membrane as it will vary with local water conditions and water consumption. **3M PURIFICATION INC. MAKES NO OTHER WARRANTIES OR CONDITIONS, EXPRESS OR IMPLIED, INCLUDING, BUT NOT LIMITED TO, ANY IMPLIED WARRANTY OR CONDITION OF MERCHANTABILITY OR FITNESS FOR A PARTICULAR PURPOSE OR ANY IMPLIED WARRANTY OR CONDITION ARISING OUT OF A COURSE OF DEALING, CUSTOMER OR USAGE OF TRADE.** If the Product fails to satisfy this Limited Warranty during the warranty period, 3M Purification Inc. will replace the Product or refund your Product purchase price. This warranty does not cover labor. **The remedy stated in this paragraph is Customer's sole remedy and 3M Purification Inc.'s exclusive obligation. For additional information, see the entire Limited Warranty located in the product Installation and Operating Instruction Manual.**

**Limitation of Liability.** 3M Purification Inc. will not be liable for any loss or damage arising from this 3M Purification Inc. product, whether direct, indirect, special, incidental, or consequential, regardless of the legal theory asserted, including warranty, contract, negligence or strict liability. Some states and countries do not allow the exclusion or limitation of incidental or consequential damages, so the above limitation or exclusion may not apply to you.



3M Purification Inc.  
400 Research Parkway  
Meriden, CT 06450 U.S.A.  
Toll Free: 1.888.218.2866  
Worldwide: 203.237.5541  
Fax: 203.238.8701  
www.3Mpurification.com



Visit [www.nsf.org](http://www.nsf.org) for the claims associated with products that are NSF listed.

Distributed by:

3M is a trademark of 3M Company  
NSF is a trademark of NSF International.  
© 2011 3M Company. All rights reserved.  
70-0202-6721-0  
REV 0211