

American PLUMBER®

Whole House High-Flow Cyst-Reduction Systems Installation and Operating Instructions Models WFP3/4-10A & WFP3/4C-10A

WFP3/4-10A shown



Specifications

Temperature Range: 40–100°F (4.4–37.7°C)
Pressure Range: 30–125 psi (2.1–8.62 bar)

System Includes

- Housing
- WFP-10A cartridge
- Mounting bracket
- Housing wrench

Precautions

⚠ WARNING: Do not use with water that is microbiologically unsafe or of unknown quality without adequate disinfection before or after the system. Systems certified for cyst reduction may be used on disinfected waters that may contain filterable cysts.

CAUTION: Filter must be protected against freezing, which can cause cracking of the filter and water leakage.

CAUTION: The rubber o-ring provides the water-tight seal between the cap and the bottom of the housing. It is important that the o-ring be properly seated in the groove below the threads of the housing or a water leak could occur.

CAUTION: Because of the product's limited service life and to prevent costly repairs or possible water damage, we strongly recommend that the bottom of all plastic housings be replaced every five years for clear and ten years for opaque. If the bottom of your housing has been in use for longer than this period, it should be replaced immediately. Date the bottom of any new or replacement housing to indicate the next recommended replacement date.

CAUTION: Clear housings may crack or craze in time causing failure and leakage if exposed to organic solvents such as those found in aerosol sprays for cleaning products and insecticides.

Tools and Materials Required

- Appropriate fittings and pipe to install filter
- Teflon® tape
- Phillips head screwdriver
- Pencil
- 2 adjustable wrenches
- File
- Pipe cutters or hacksaw

NOTE:

- For cold water use only.
- Do not install where system will be exposed to direct sunlight.
- Make certain that installation complies with all state and local laws and regulations.
- The contaminants or other substances removed or reduced by the selected cartridge are not necessarily in your water. Ask your local water municipality for a copy of their water analysis, or have your water tested by a reputable water testing lab.
- After prolonged periods of non-use (such as during a vacation) it is recommended that the system be flushed thoroughly. Let water run for 5–6 minutes before using.
- The filter cartridges used with this system have a limited service life. Changes in taste, odor, and/or flow of the water being filtered indicate that the cartridge should be replaced.
- Some harmless bacteria may attack cellulose media cartridges. If your cartridge seems to disintegrate or develops musty or moldy odor, switch to a synthetic media cartridge or consult the manufacturer.

Installation

- Please read all instructions, specifications, and precautions before installing and using this filter.
- For installation on standard 1/2-inch or 3/4-inch main water line (galvanized, copper or plastic pipe).
- Use only Teflon® tape for fitting housing connections.
- Install filter cartridge in filter housing according to the filter cartridge replacement instructions (below) before proceeding with installation.
- Install filter after water meter or pressure tank.
- Numbered diagrams correspond with numbered steps.

1. Turn off cold water supply **(A)** and open nearest faucet **(B)** to release pressure in pipes before starting installation.

2. Use bracket as a template to mark screw locations on wall **(C)**. Insert mounting screws into wall. Leave a space the thickness of a nickel between the head of the screw and the wall to slip bracket onto screws. Then place bracket over the cap and align with inlet and outlet ports **(D)**.

NOTE: Allow 1½-inches clearance below housing to enable filter cartridge changes.

NOTE: The following instructions are for installations using compression fittings. Depending upon the installation, standard pipe fittings can be used.

3. Align filter assembly with ends of pipe, making certain cap opening marked "IN" is facing your incoming water supply. It will be necessary to spread ends of pipe apart to install filter assembly. Using two adjustable wrenches, hold inlet adapter securely with one wrench and tighten with second wrench. Repeat process for outlet adapter.

(E) Assemble all fittings. Start fittings into cap by inserting fitting through opening in bracket. Use a wrench to tighten firmly. **DO NOT OVER-TIGHTEN.** About one thread should remain visible. **(F)** Remove compression nuts from fittings, if used.

NOTE: If using mounting bracket, be sure to insert fittings through bracket before threading into filter cap.

4. Measure length across assembled fittings **(G)** and subtract 1 inch for 3/4-inch pipe or 1½ inches for 1/2-inch pipe. Mark section of pipe to be removed.

NOTE: Approximately 6 inches will be removed for 3/4-inch pipe and 5¼ inches for 1/2-inch pipe.

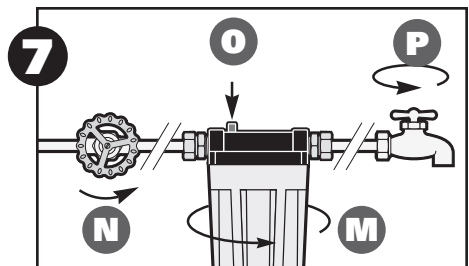
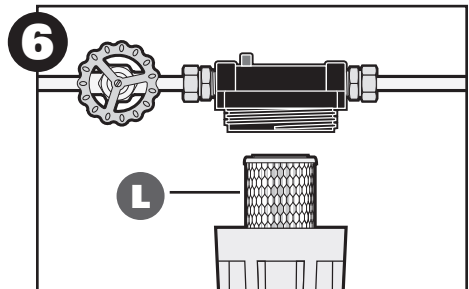
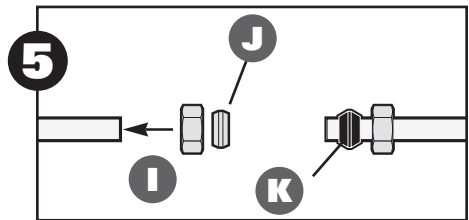
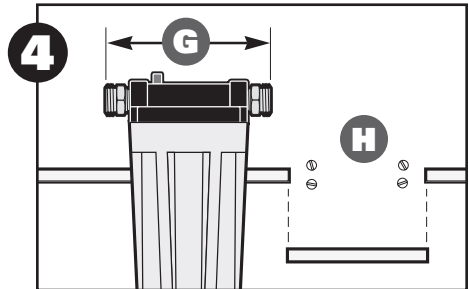
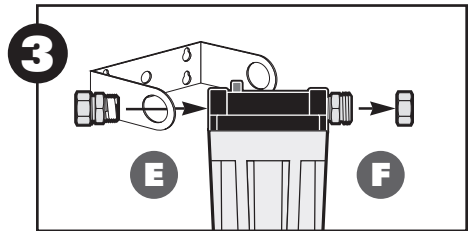
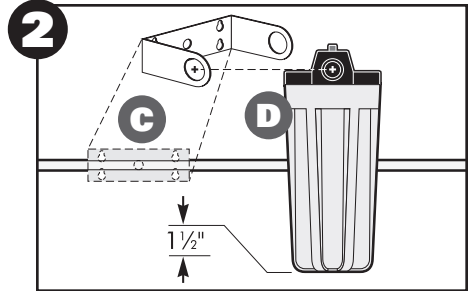
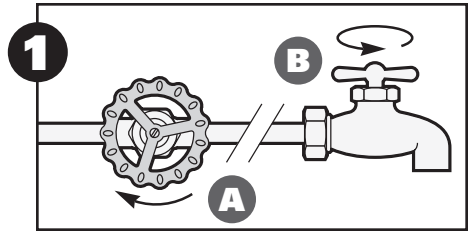
Using a pipe cutter or hacksaw, cut pipe and remove marked section **(H)**. File or sand sharp edges on remaining pipe.

5. Slip brass compression nut **(I)** and brass ferrule **(J)** onto each end of 3/4-inch pipe. If installing on 1/2-inch pipe, substitute rubber ferrule **(K)** for brass ferrule.

6. Install WFP-10 **(L)** cartridge into housing, making sure the end of the cartridge seats over standpipe in bottom of housing.

7. Screw bottom of housing onto the cap **(M)**. Hand-tighten. **Do not over-tighten.** Slowly turn on water supply **(N)** to allow filter to fill with water, then depress red pressure-relief button **(O)** on top of cap to release trapped air. Check for leaks before leaving installation. Open nearest faucet **(P)** and flush cartridge for 5 minutes.

CAUTION: If water pipes are used to ground electrical systems, appliances or phones, be certain to install a jumper wire. Contact a qualified electrician with any questions about your home's electrical system.



Filter Cartridge Replacement

A. (1) Turn off water supply to filter. **(2)** Depress red pressure-relief button to release trapped air. **(3)** Remove bottom of housing by turning clockwise.

NOTE: If turning off water supply to the filter will also turn off water to the rest of the home, be sure to fill a bucket of water first to allow you to clean housing after it has been removed.

B. Locate and remove large o-ring **(4)**, wipe clean of lubricant and set aside.

Discard used cartridge **(5)**. Rinse out bottom of housing and fill 1/3 full with water. Add 2 tablespoons of bleach and scrub cap and bottom of housing with non-abrasive sponge or cloth. Rinse thoroughly.

Lubricate o-ring **(4)** with clean silicone grease. Insert o-ring back into groove and smooth into place with finger.

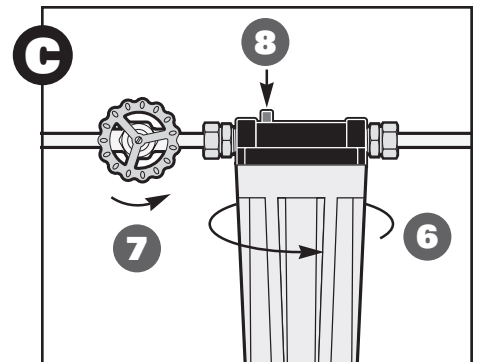
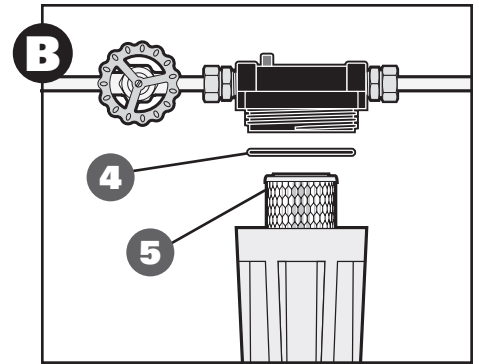
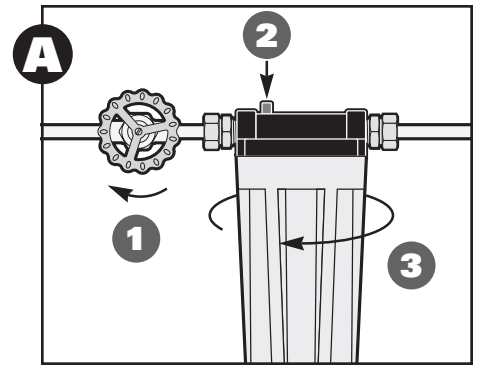
NOTE: This step is important to ensure proper housing seal. Make sure o-ring is seated level in the groove.

Insert new cartridge **(5)** over standpipe in bottom of housing.

C. (6) Screw bottom of housing onto the cap and hand-tighten. **Do not over-tighten.** Make certain cap standpipe slips into cartridge.

(7) Turn on water supply slowly to allow filter to fill with water. **(8)** Depress red pressure-relief button to release trapped air. Flush cartridge for 15 minutes before use.

Check for leaks before leaving installation.



Troubleshooting

Leaks...

between cap and bottom of filter housing:

1. Turn off water supply and press the red pressure relief button. Remove bottom of housing.
2. Clean o-ring and o-ring groove (located directly beneath threads of housing). Lubricate o-ring with clean silicone grease and replace securely into groove. Screw bottom of housing onto cap and hand-tighten. **Do not over tighten.**

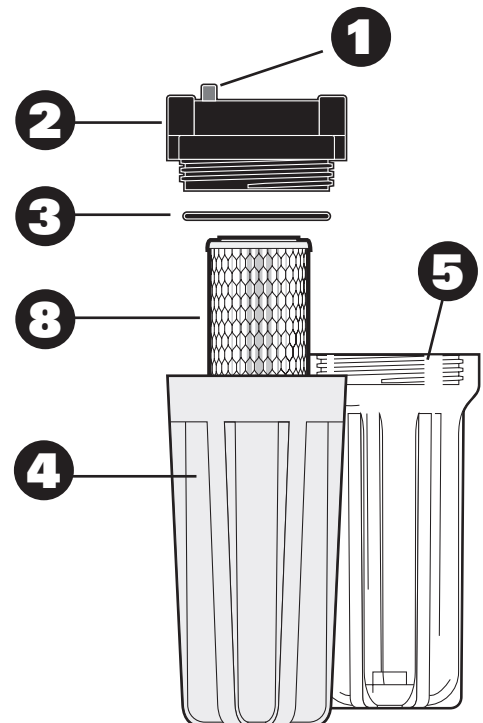
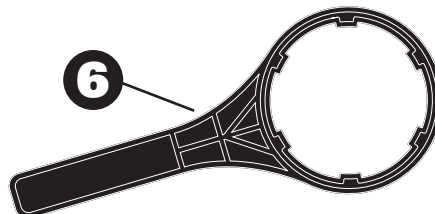
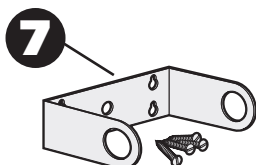
on inlet/outlet connections:

1. Turn off water supply. For brass fittings, tighten nut snugly about half of a turn with a wrench.
2. Turn on water supply. If leaks persist, or if there are other leaks on system, turn off water supply. Call American Plumber Technical Support at 800.863.9392.

Replacement Parts

1	151039	Pressure Relief Button Kit
2	154101	Black Cap (W/PR 3/4")
3	152030	O-ring (W34-OR)
4	153085	Gray Housing (W34-PR)
5	153128	Clear Housing (WC34-PR)
6	152037	Housing Wrench: WW34
7	152040	Mounting Bracket: WMB34
8	555019-51	Cartridge: WFP-10A

For replacement parts, contact your nearest American Plumber water filter dealer or call **800.645.5428**.



Warranty

American Plumber warrants to the original owner (under normal use): Water Filter Housings to be free from defects in material and/or workmanship for five (5) years from the date of purchase. Any replacement products furnished will be free from defects in material and/or workmanship for the remainder of the original warranty period. This warranty does not cover: (1) filter cartridges (2) damage due to lightning or other conditions beyond the control of American Plumber (3) defects not reported within the above time period, (4) items manufactured by other companies, (5) problems arising from failure to comply with American Plumber instructions, (6) problems and/or damage arising from acts of nature, abuse, misuse, negligence or accident by any party other than American Plumber, (7) problems and/or damage resulting in whole or in part from alteration, modification, repair or attempted alteration, modification or repair by any party other than American Plumber, (8) noncompliance with applicable codes/ordinances.

If a defect in workmanship and/or material in a product or part covered by the warranty should arise, American Plumber, at its sole discretion, will repair or replace the defective product or part (American Plumber may consider, in good faith, the customer's preference).

All claimed defective product must: (1) be authorized for return by American Plumber with an RGA number (2) include proof of the purchase date of the product or part (3) returned to American Plumber prior to the expiration of the warranty date, at the customer's expense, shipment pre-paid, (4) be accompanied by a letter detailing the Model Number, Serial Number (if any), and a brief description of the problem.

TO THE MAXIMUM EXTENT PERMITTED BY APPLICABLE LAW, AMERICAN PLUMBER DISCLAIMS ALL OTHER WARRANTIES, WHETHER EXPRESS OR IMPLIED, INCLUDING, BUT NOT LIMITED TO, THE IMPLIED WARRANTY OF MERCHANTABILITY AND FITNESS FOR A PARTICULAR PURPOSE, WITH REGARD TO THE PRODUCTS, PARTS AND ANY ACCOMPANYING WRITTEN MATERIALS.

To the maximum extent permitted by applicable law, American Plumber shall not be liable for any damages whatsoever (including, but not limited to, loss of time, inconvenience, expenses, labor or material charges incurred in connection with the removal or replacement of the Water Filter Housing, special, incidental, consequential, or indirect damages for personal injury, loss of business profits, business interruption, loss of business information, or any other pecuniary loss) arising out of the use of or inability to use the defective products or parts, even if American Plumber has been advised of the possibility of such damages.

American Plumbers' maximum liability under any provision of this Limited Warranty shall be limited to the amount actually paid for the Water Filter Housing.

NOTE: Because some states do not allow the exclusion or limitation of incidental or consequential damages, the above limitations or exclusions may not apply.

THIS WARRANTY GRANTS SPECIFIC LEGAL RIGHTS, AND OTHER RIGHTS MAY APPLY. SUCH RIGHTS VARY FROM STATE TO STATE.



5730 North Glen Park Road • Milwaukee, WI 53209-4403

Technical Support: 800.863.9392 or 920.451.9301

supportspecialist@americanplumber.com

www.americanplumber.com