



Limited One Year Warranty  
T&S warrants to the original purchaser (other than for purposes of resale) that such product is free from defects in material and workmanship for a period of one (1) year from the date of purchase. During this one-year warranty period, if the product is found to be defective, T&S shall, at its options, repair and/or replace it. To obtain warranty service, products must be returned to...

T&S Brass and Bronze Works, Inc.  
Attn: Warranty Repair Department  
2 Saddleback Cove  
Travelers Rest, SC 29690

Shipping, freight, insurance, and other transportation charges of the product to T&S and the return of repaired or replaced product to the purchaser are the responsibility of the purchaser. Repair and/or replacement shall be made within a reasonable time after receipt by T&S of the returned product. This warranty does not cover items which have received secondary finishing or have been altered or modified after purchase, or for defects caused by physical abuse to or misuse of the product, or shipment of the products.

Any express warranty not provided herein, and any remedy for Breach of Contract which might arise, is hereby excluded and disclaimed. Any implied warranties of merchantability or fitness for a particular purpose are limited to one year in duration. Under no circumstances shall T&S be liable for loss of use or any special consequential costs, expenses or damages.

Some states do not allow limitations on how long and implied warranty lasts or the exclusion or limitation of incidental or consequential damages, so the above limitations or exclusions may not apply to you. Specific rights under this warranty and other rights vary from state to state.

P/N: 098-003122-45 Rev.2  
Date: 980416  
Drawn: CW  
Checked: MW 6-10-98  
Approved: MAB 6-10-98

# Installation and Maintenance Instructions



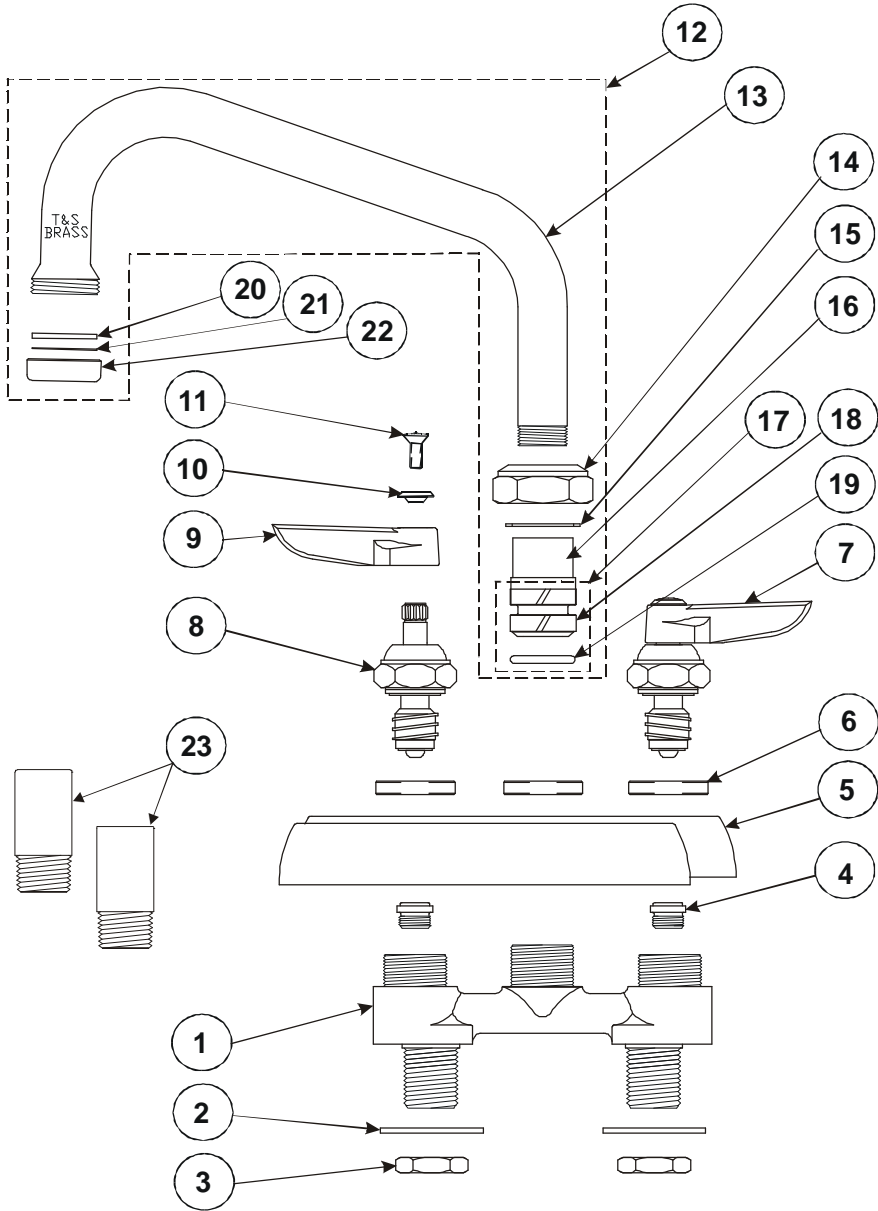
## WORKBOARD FAUCET B-1100 Series

**Deutsch: Installations- und  
Wartungsanleitungen**

**Español: la Instalación y las  
Instrucciones de  
Mantenimiento**

**Français: les Instructions  
d'Installation et  
d'Entretien**

# Exploded View



\* Some items are listed for instructional purposes and may not be sold as separate parts.

# Part Number Guide

## **Base Faucet Assemblies**

Asm, Base Faucet (B-1100 - B-1103)		
1	Base, Faucet	*
2	Washer, Shank	000999-45
3	Locknut	002954-45
4	Seat	000763-20
5	Escutcheon, Body (3-1/2" - 4" Centers)	001258-40
	Escutcheon, Body (8" Centers)	001259-40
6	Locknut, Cover PI	000712-25
7	Asm, Spindle - LH	002709-40
	Asm, Spindle - RH	002710-40
8	Spindle - LH	009754-25
	Spindle - RH	009753-25
9	Handle - Cold	001636-45
	Handle - Hot	001637-45
10	Index, Button - Blue	001660-45
	Index, Button - Red	001661-45
11	Screw, Lever Handle	000922-45
23	* Optional Supply Connector Kit	B-1100-K

\* Order separately

## **Nozzle Assemblies**

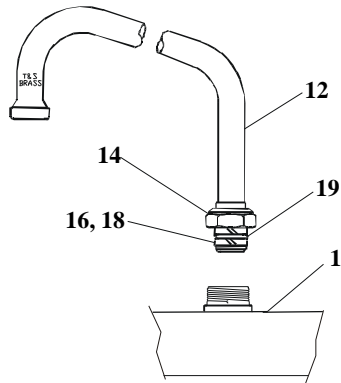
12	Asm, Swing Nozzle - 6"	059X
	Asm, Swing Nozzle - 8"	060X
	Asm, Swing Nozzle - 10"	061X
	Asm, Swing Nozzle - 12"	062X
<i>Note: Item 15 and 19 are included when ordering nozzles</i>		
13	Nozzle (See Models)	*
14	Nut, Swivel	*
15	Washer, Swivel	*
16	Swivel Piece	*
17	Repair Parts Kit	011643-45
18	Sleeve, Swivel	*
19	O-Ring	*
20	Washer, Nozzle Tip	001048-45
21	Screen, Nozzle Tip	001323-45
22	Tip, Nozzle	000863-25

# General Instructions

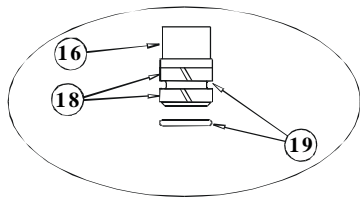
## Nozzle Installation:

*Note: Nozzle should be installed first.  
See diagram below:*

1. Shut off water supply and drain lines. Insert no.12 into no.1 and rotate to front of sink.
2. Tighten no.14 firmly with a wrench.

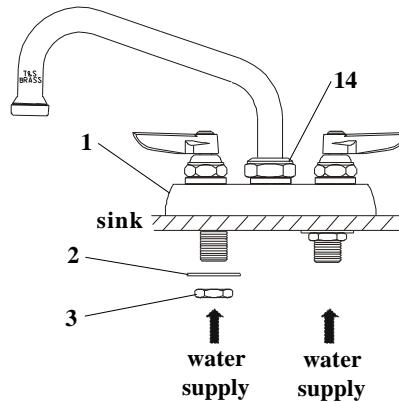


*Note: See repair kit 011643-45 for replacement of no.18 and no.19.*



## Faucet Installation:

3. Drill (2) two holes into sink or countertop where you are installing no.1. *Inlet spacing: 3-1/2", 4" or 8" center to center.*



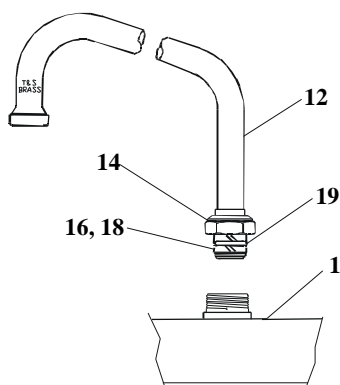
4. Place no.1 into pre-drilled holes. Reinstall no.2 and no.3 back onto no.1 shank under bottom of sink. Tighten no.3 with a wrench.
5. Turn on water supply and check for leaks.

# Instrucciones Generales

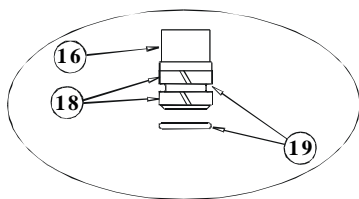
## Instalación De La Boquilla:

*Nota: Las boquillas deben de ser instaladas primero. Mire el dibujo de abajo:*

1. Cierre la fuente principal de agua y desagüe las tuberías. Coloque la parte No.12 entre la parte No.1 y gire hacia el frente del lavatorio.
2. Apriete firmemente la parte No.14 con una llave.

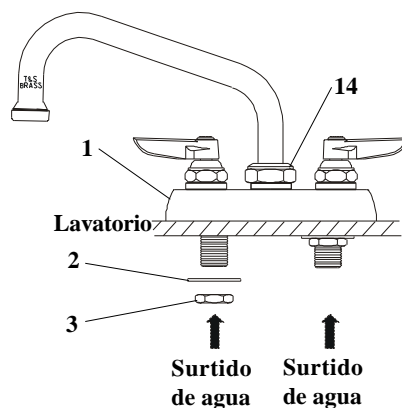


**Nota: Refiérase al estuche de reparo 011643-45 para el reemplazo de las partes No.18 y No.19.**



## Instalación De La Canilla:

3. Perfore (2) dos huecos en el lavatorio o el mostrador donde la parte No.1 será instalada. **Aberturas para las líneas de surtido: 9cm, 10cm o 20cm de centro a centro.**



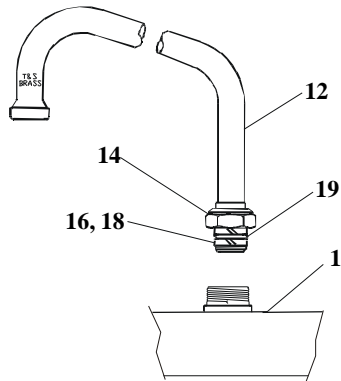
4. Coloque la parte No.1 dentro de las perforaciones. Instale de nuevo las partes No.2 y No.3 en el tronco de la parte No.1 por debajo del lavatorio. Apriete la parte No.3 con una llave.
5. Abra la fuente de agua e inspeccione por filtraciones.

# Instructions Générales

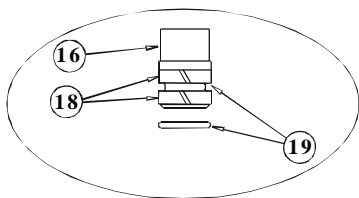
## L'Installation De L'Ajutage:

*Noter: Les ajutages doivent être installés au début. Voir le diagramme ci-dessous:*

1. Fermer la réserve de l'eau et égoutter la tuyauterie. Insérer N° 12 dans N° 1 et tourner jusqu'à la face de l'évier.
2. Resserrer N.°14 fermement avec une clef.

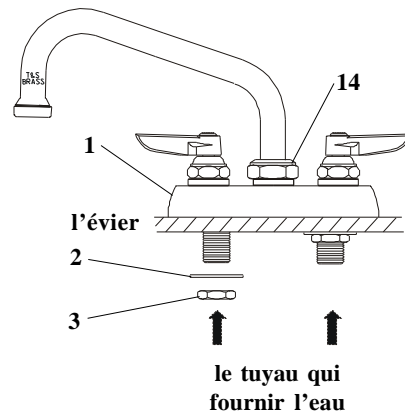


*Noter: Voir la trousse à outils 011643-45 pour remplacer N° 18 et N° 19.*



## L'Installation Du Robinet:

3. Percer (2) deux trous dans le comptoir ou l'évier ou vous aller installer N° 1. L'espacement de l'arrivée: 9cm, 10cm ou 20cm centre à centre.



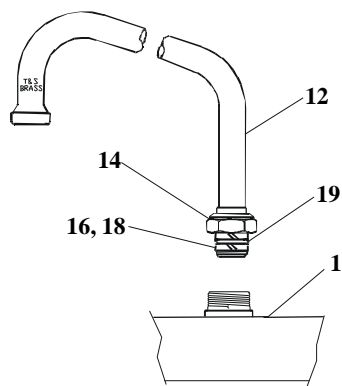
4. Mettre N° 1 dans les trous déjà préparés. Réinstaller N° 2 et N° 3 sur la jambe au-dessous de l'évier. Resserrer N° 3 avec une clef.
5. Recommencer l'eau et vérifier s'il y a des fuites.

# Allgemeine Anleitungen

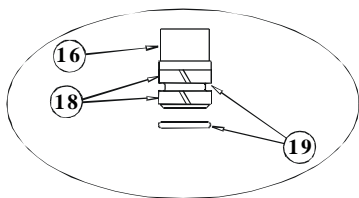
## Schwenkhahninstallation:

**Anmerkung:** *Der Schwenkhahn ist als erstes zu installieren. Siehe Zeichnung unten:*

1. Wasserzufuhr abstellen und Leitungen entleeren. Nr. 12 in Nr. 1 einfügen und in Richtung Vorderkante des Beckens drehen.
2. Nr. 14 mit einem Schraubenschlüssel fest anziehen.

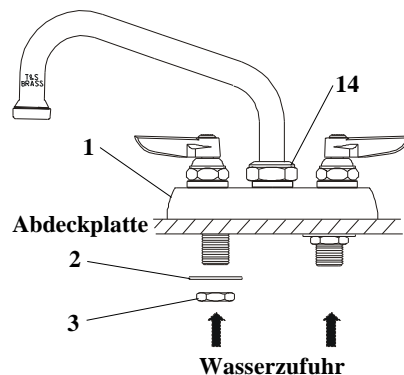


**Anmerkung:** *Siehe Instandsetzungssatz 011643-45 für Ersatz von Nr. 18 und Nr. 19.*



## Armatureninstallation:

3. Zwei (2) Löcher in das Becken oder die Abdeckplatte bohren, in die Nr. 1 installiert wird. **Entfernung der Wasserzufuhren: 9cm, 10cm oder 20cm von Mitte zu Mitte.**



4. Nr. 1 in die vorgebohrten Löcher einsetzen. Nr. 2 und Nr. 3 auf der Unterseite des Beckens wieder auf den Schaft von Nr. 1 aufsetzen. Nr. 3 mit dem Schraubenschlüssel anziehen.
5. Wasserzufuhr andrehen und auf Lecks prüfen.

**RELATED T&S BRASS PRODUCT LINE**



**B-2347  
Lavatory Faucet  
with Hose Spray**

---

**T&S BRASS AND BRONZE WORKS, INC.**

A firm commitment to application-engineered plumbing products

2 Saddleback Cove, P.O. Box 1088,  
Travelers Rest, SC 29690

Phone: (864) 834-4102  
Fax: (864) 834-3518

E-mail: [tsbrass@tsbrass.com](mailto:tsbrass@tsbrass.com)

T & S Brass-Europe  
'De Veenhoeve'  
Oude Nieuwveenseweg 84  
2441 CW Nieuwveen  
The Netherlands

