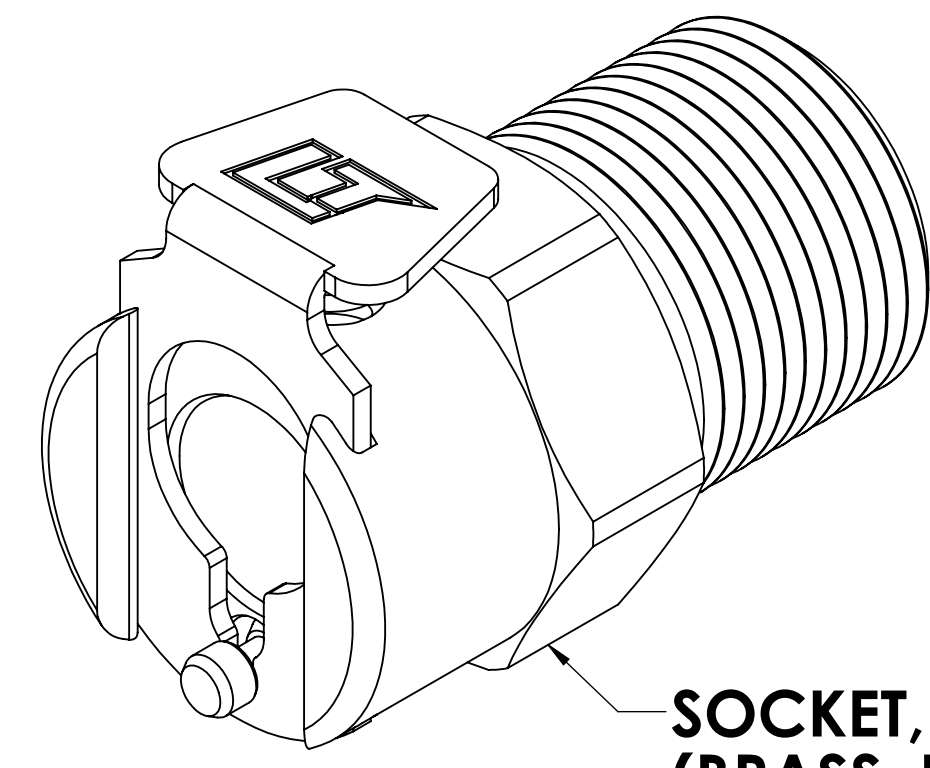
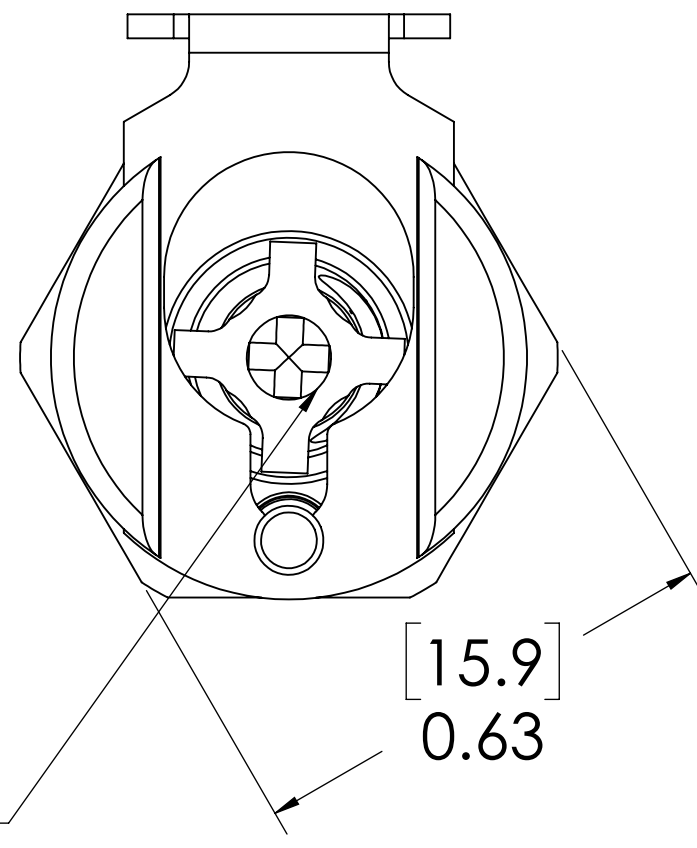


| REVISIONS |      |      |       |                 |            |          |
|-----------|------|------|-------|-----------------|------------|----------|
| SHEET     | ZONE | REV. | ECO   | DESCRIPTION     | DATE       | APPROVED |
| 1         | ALL  | A    | 50242 | INITIAL RELEASE | 10/18/2018 | HRC      |



**SOCKET,  
(BRASS, NICKEL AND  
CHROME PLATED)**



**VALVE,  
(ACETAL)**

[15.9]  
0.63

**LATCH HARDWARE,  
(STAINLESS STEEL)**

[19.2]  
0.76

[27.9]  
1.10

**VALVE SPRING,  
INTERNAL  
(STAINLESS STEEL)**

**VALVE O-RING,  
INTERNAL  
(BUNA-N)**

**1/4" NPT  
(PIPE THREAD)**

- NOTES:**
- MATERIAL: BRASS
  - FINISH: CHROME
  - O-RING MATERIAL: BUNA-N
  - O-RINGS LUBRICATED WITH FOOD GRADE SILICONE OIL, 350 CST.

**FOR REFERENCE ONLY**

|   |           |          |          |  |
|---|-----------|----------|----------|--|
| <small>UNLESS OTHERWISE SPECIFIED:<br/>DIMENSIONS ARE IN INCHES<br/>TOLERANCES:<br/>FRACTIONAL ± 1/32<br/>ANGULAR: MACH ± 0.5 BEND ± 2<br/>ONE PLACE DECIMAL ± 0.1<br/>TWO PLACE DECIMAL ± 0.01<br/>THREE PLACE DECIMAL ± 0.005<br/>TWO PLACE DUAL (mm) [±0.12]</small> | DRAWN     | CGS      | 1/24/18  |  |
|   | CHECKED   | HRC      | 1/24/18  |  |
|   | ENG APPR. | HRC      | 10/18/18 |  |
|   | MFG APPR. | BDB      | 10/18/18 |  |
| PRODUCTION  | LS        | 10/18/18 |          | <b>PART NO:</b> 20CBV-SB1-04<br><b>DESCRIPTION:</b><br><b>LinkTech 20CB Series Male Thread Female, Valved, 1/4" MNPT, Chrome Brass</b> |
| <small>PROPRIETARY AND CONFIDENTIAL<br/>THE INFORMATION CONTAINED IN THIS DRAWING IS THE SOLE PROPERTY OF LINKTECH LLC. ANY REPRODUCTION OR DISCLOSURE IN PART OR AS A WHOLE WITHOUT THE WRITTEN PERMISSION OF LINKTECH LLC IS STRICTLY PROHIBITED.</small>             |           |          |          | <b>SCALE:</b> NTS <b>WEIGHT:</b> <b>SHEET 1 OF 1</b>   |

SIZE DWG. NO. REV  
**C** 20CB200190 **A**