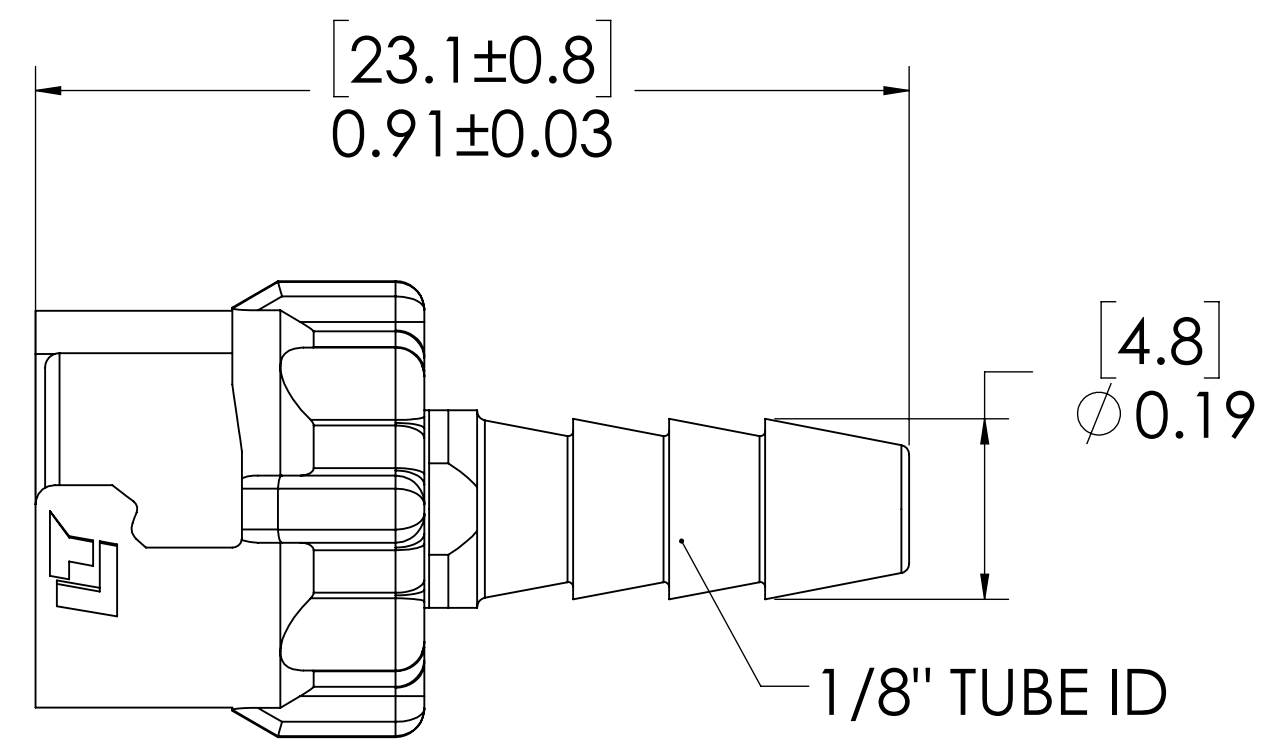
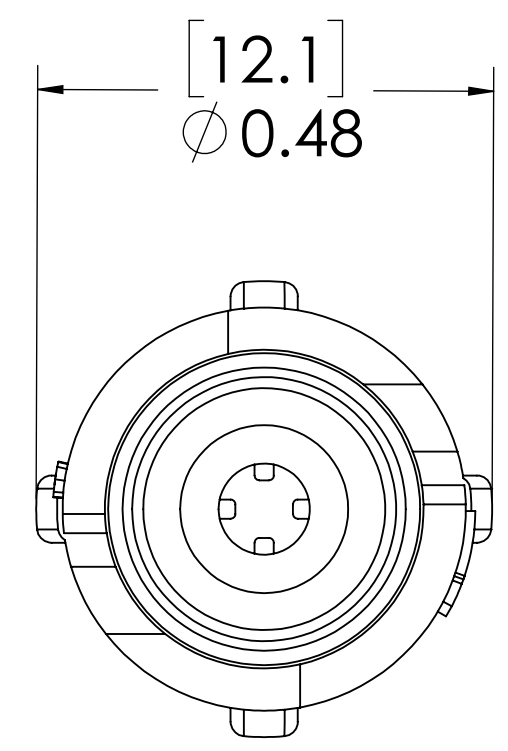
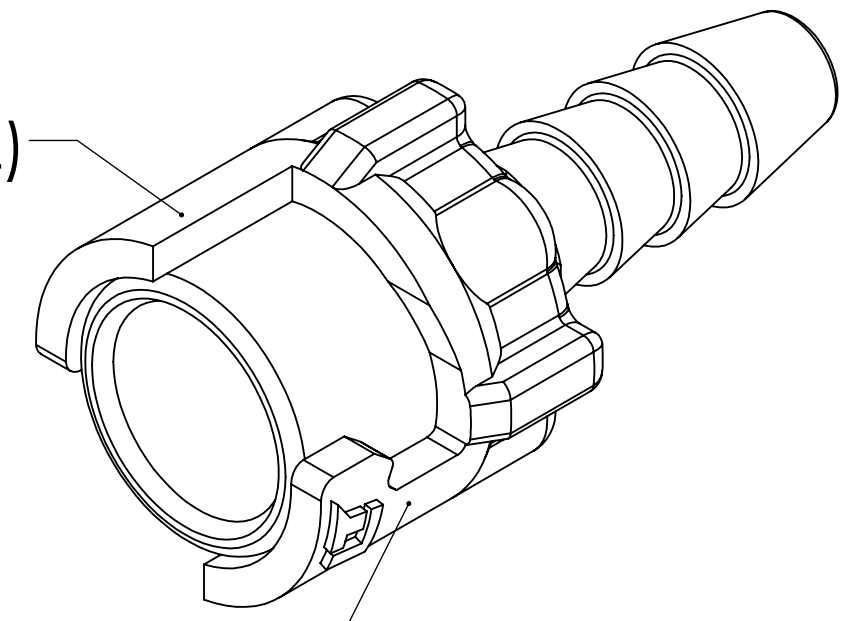


REVISIONS						
SHEET	ZONE	REV.	ECO	DESCRIPTION	DATE	APPROVED
1	E-5	A	UPDATED BARREL DESIGN	8/23/2012	HRC
1	ALL	A	50047	INITIAL RELEASE	6/11/2013	HRC
1	ALL	B	50253	2017 FORMAT UPDATE	5/7/2018	HRC

SOCKET,
(ACETAL)

LOCK SLEEVE,
(ACETAL)



1/8" TUBE ID

NOTES:

- MATERIAL: ACETAL
- COLOR: NATURAL WHITE

FOR REFERENCE ONLY

<small>UNLESS OTHERWISE SPECIFIED: DIMENSIONS ARE IN INCHES TOLERANCES: FRACTIONAL ± 1/32 ANGULAR: MACH ± 0.5 BEND ± 2 ONE PLACE DECIMAL ± 0.1 TWO PLACE DECIMAL ± 0.01 THREE PLACE DECIMAL ± 0.005 TWO PLACE DUAL (mm) [± 0.12]</small>	<small>DRAWN</small> HRC	<small>DATE</small> 4/10/12		
	<small>CHECKED</small> DHJ	<small>DATE</small> 4/10/12		<small>PART NO:</small> 10AC-S2-02
	<small>ENG APPR.</small> HRC	<small>DATE</small> 5/7/18		<small>DESCRIPTION:</small> LinkTech 10AC Series Straight Female, Non-valved, 1/8" HB, Natural Acetal
	<small>MFG APPR.</small> BDB	<small>DATE</small> 5/7/18		<small>SIZE</small> C
<small>PRODUCTION</small> RK	<small>DATE</small> 5/7/18	<small>DWG. NO.</small> 10AC100024	<small>REV</small> B	
<small>COMMENTS:</small> 	<small>SCALE:</small> NTS	<small>WEIGHT:</small>	<small>SHEET</small> 1 OF 1	