



T&S BRASS AND BRONZE WORKS, INC.
 2 Saddleback Cove / P.O. Box 1088
 Travelers Rest, SC 29690

Model No.
B-0899

Item No.

Travelers Rest, SC: 800-476-4103 • Simi Valley, CA: 800-423-0150 • Fax: 864-834-3518 • www.tsbrass.com

This Space for Architect/Engineer Approval

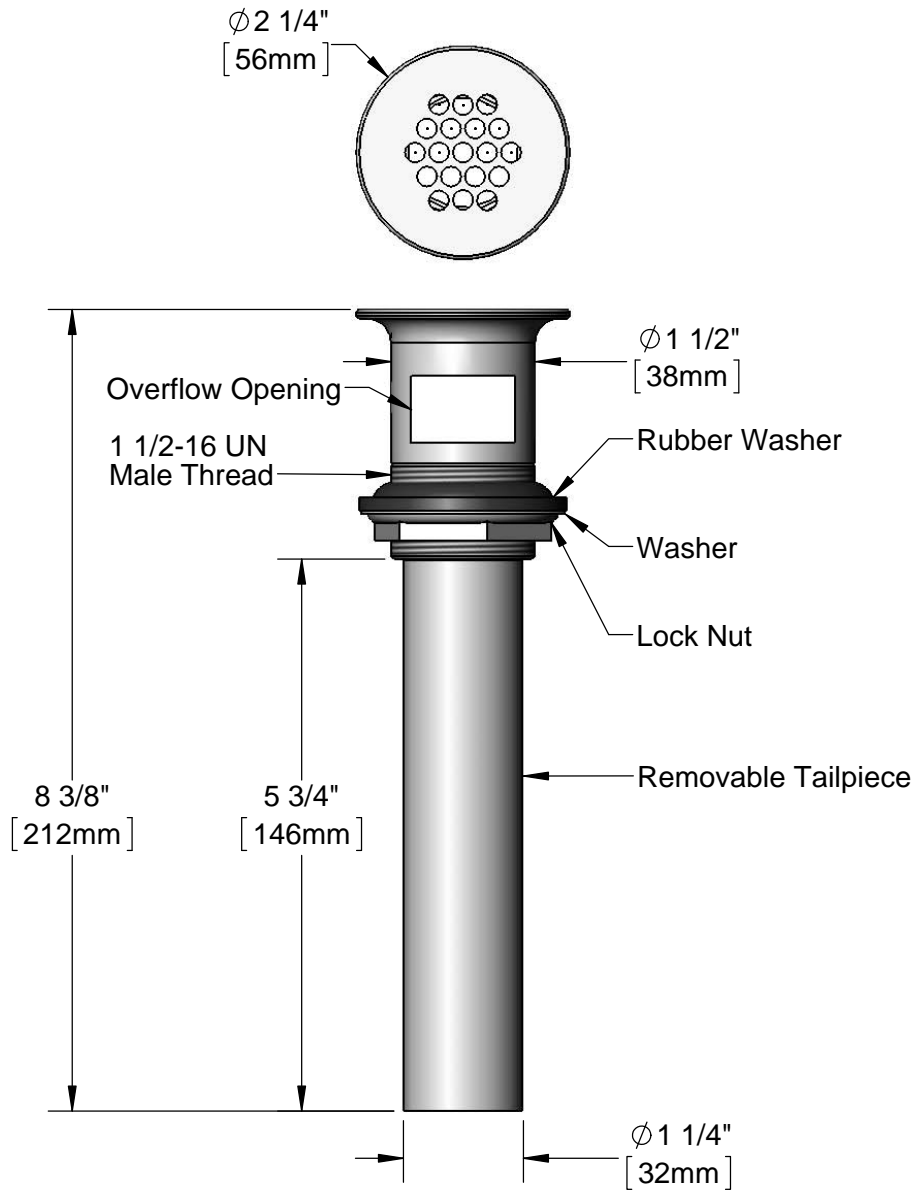
Job Name _____ Date _____

Model Specified _____ Quantity _____

Customer/Wholesaler _____

Contractor _____

Architect/Engineer _____



Product Specifications:
 Cast Brass Sink Drain w/ Grid, Chrome Plated Finish
 & $\phi 1 \frac{1}{4}$ " Tailpiece

Drawn DHL	Checked DMH	Approved JHB
Scale: 1:2		Date: 11/02/12