

How to Replace & Reset the Water Filter on Your 4 Door Flex Refrigerator (RF28K9070SG)

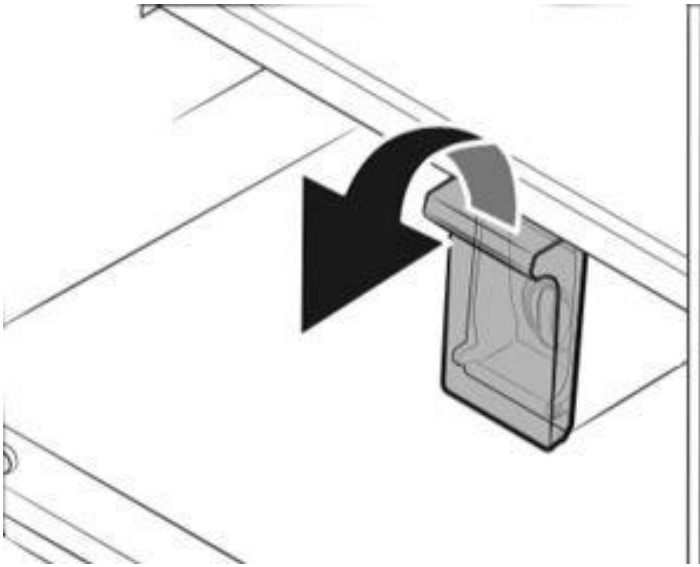
The filter indicator turns red to let you know it is time to replace the water filter. To purchase the correct water filter, click [here](#). Replacement Cartridge: DA29-00020B. Filter model number: HAF-CIN.

- Before replacing the filter, make sure the water supply line is shut off.
- Do not use third-party water filters. Use only Samsung-provided or approved filters.
- Unapproved filters may leak and damage the refrigerator, causing electric shock. Samsung is not responsible for any damage that may occur from the use of third-party water filters.

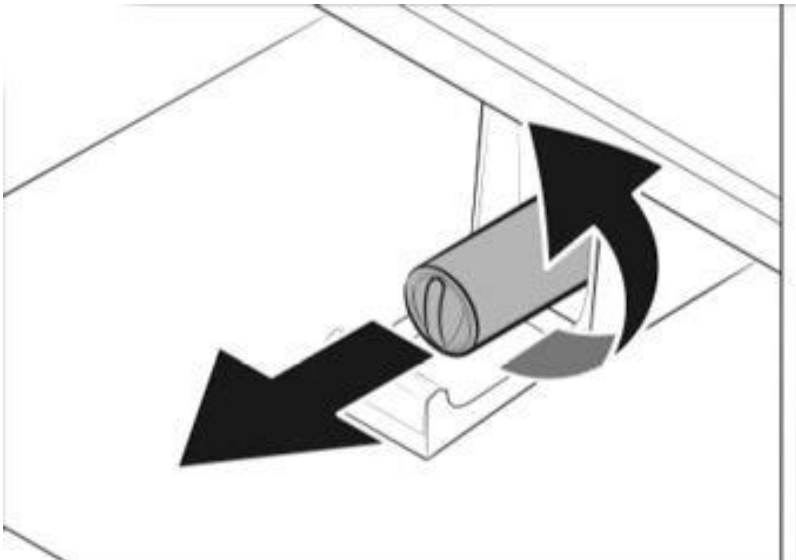


Removing and Installing the Water Filter

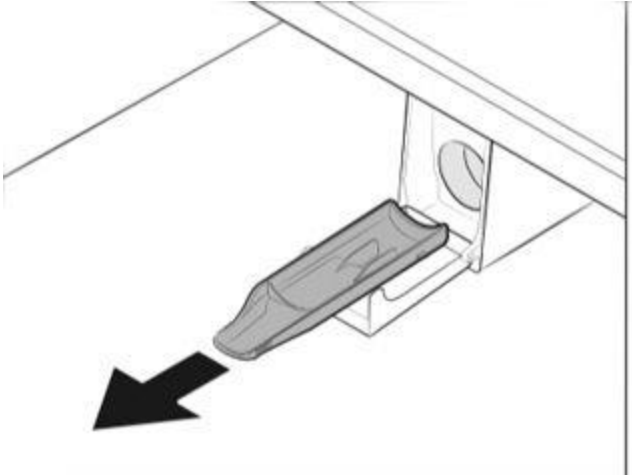
1. Open the filter cover.



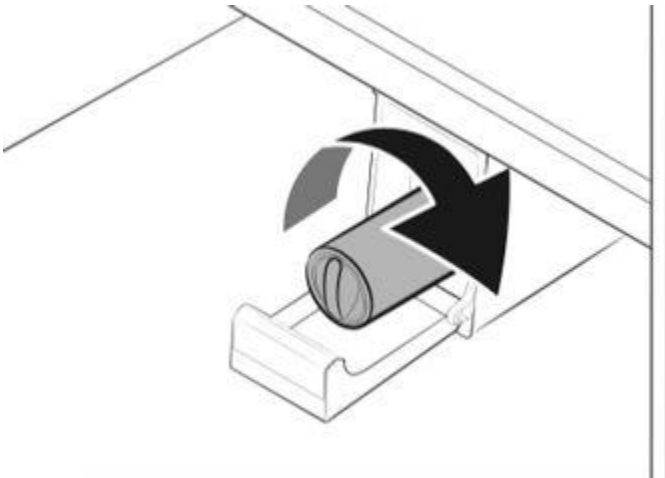
2. Turn the filter counter clockwise.



3. To remove the filter, pull it out.



4. Reinstall a new filter by reversing these steps.



Resetting the Water Filter Indicator

- Some areas have relatively large amounts of lime in their water. This may reduce the lifecycle of the filter. In these areas, the filter will have to be replaced more often.
- If water is not dispensing properly, the water filter is most likely clogged. Even if the filter indicator is not blinking, replace the water filter.

1. Touch and hold Crushed Ice for 3 seconds
2. Now, the filter lifecycle detector is reset and the filter indicator is turned off

The refrigerator is one of the hardest working appliances in your home. It's subject to spills and various odors. Make sure to keep your fridge clean and tidy as a clean fridge is the key to prevent odors and keep food fresh longer.



Preventing Odor

5 Steps to Prevent Odor in Your Refrigerator

1. Clean your refrigerator thoroughly.

This is the most difficult task. Check all of the items in your fridge and throw out any expired items or food that has gone bad. Make sure to clean the seals. Remove all the door bins and shelves to clean them separately.



2. Use natural cleaning solutions.

Mix baking soda and warm water to use instead a of chemical cleaner.



3. Use an odor remover.

Keep an open box of baking soda or an odor remover from your local grocery store inside the refrigerator.



4. Store fresh foods in the front.

Make sure they are visible so they don't go to waste. Leaving them behind other items makes it easier for you to forget about them.



5. Use airtight containers.

Storing food in airtight containers will not only prevent odors, but will also keep your food fresh longer.



Keeping stainless clean can be tough sometimes. Let us help you out with that. Follow the steps below to keep your stainless steel fridge doors clean.

- Do not spray water or clean directly on the surface. Instead, apply a small amount of cleaner on a soft cloth and then clean the surface.
- Never use any type of window cleaner, soap, scouring powder, or any cleaner with solvents such as alcohol, benzene, ammonia, or paint thinner. Never use steel wool or bleach. If you do, you can damage the finish and rust will form.
- If the unit is on a tile floor, do not use grout cleaners that contain muriatic acid. The fumes alone can damage the stainless finish.



Cleaning the Stainless Surface

Always read the manufacturer's instructions and cautions carefully. After thoroughly reading the instructions, test the product in an inconspicuous area before use. Even if a product is labeled "for use on stainless steel," verify that it is low in chlorides and does not contain any bleach.

1. Make a paste by mixing baking soda and warm water together.



2. Apply the paste to the stainless surface with a soft cloth.
 - To spread the paste, start by rubbing gently with the grain of the finish.
 - If necessary, add more pressure as you distribute the paste over the area.
3. Continuing along the grain, wipe away all remnants of the cleaning agent with a clean wet cloth. Then, dry the surface thoroughly with a dry cloth.

NOTE: If the mixture of baking soda and warm water does not do the job, you can make a new paste. For the new paste, you can substitute baking soda with a product like Bar Keepers Friend™.

All door bins can be removed for easy cleaning and maintenance.



•

-
-
-
-
-
-
-
-
-

Removing Door Bins

1. Gently lift the bins using both hands.



2. Then pull out the bins from the door.

