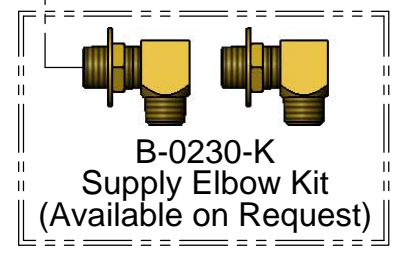
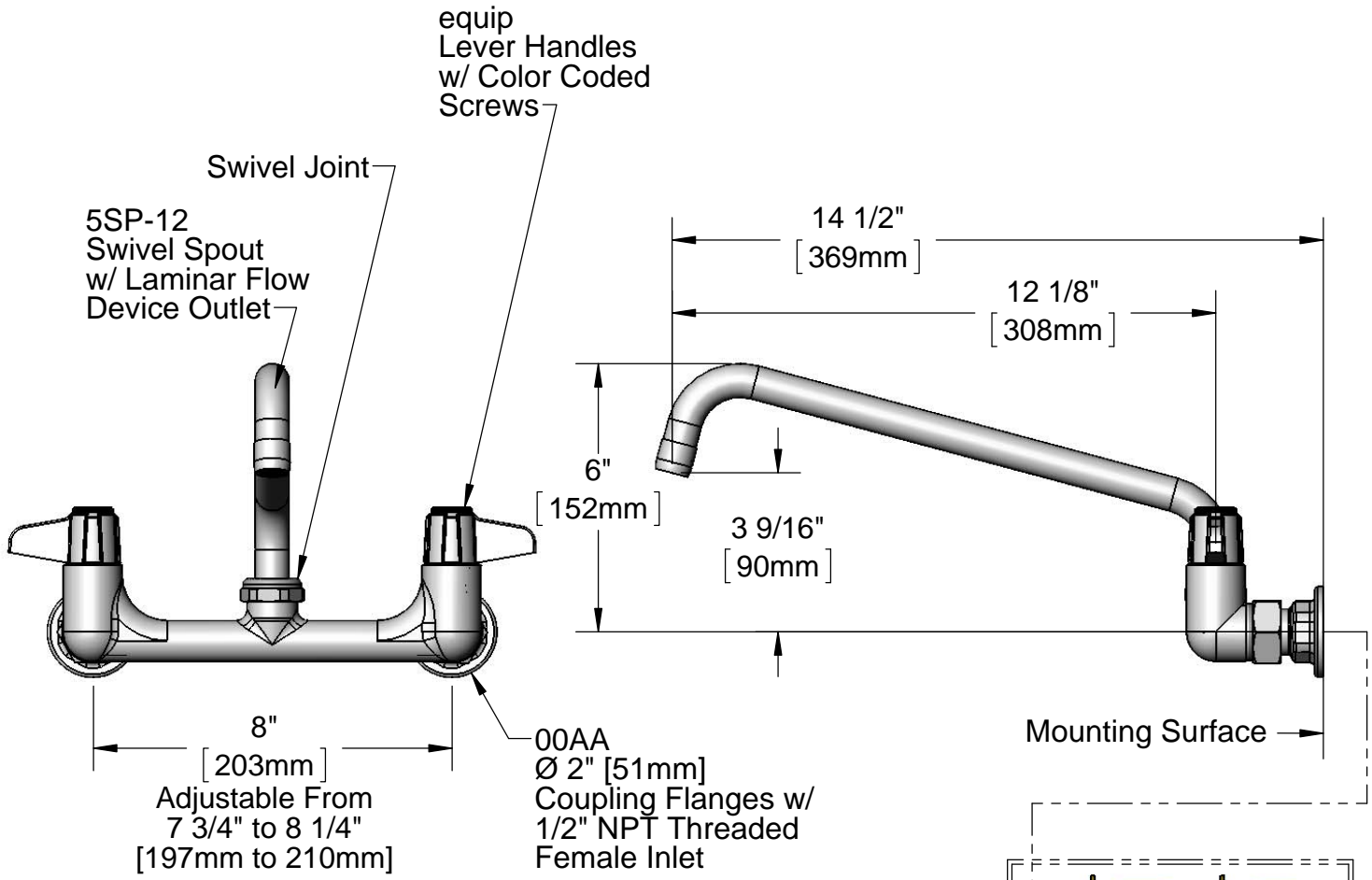
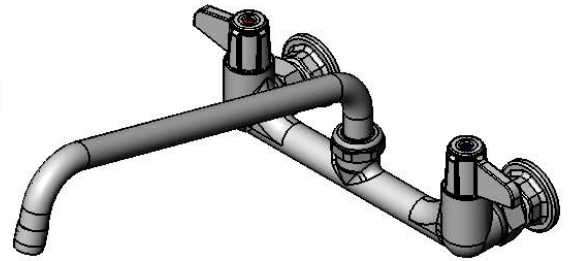


This Space for Architect/Engineer Approval

Job Name _____ Date _____
 Model Specified _____ Quantity _____
 Customer/Wholesaler _____
 Contractor _____
 Architect/Engineer _____



ADA Compliant



**Note: Rough-In Requirement
(2) Ø 1" [25mm] Mounting Holes**

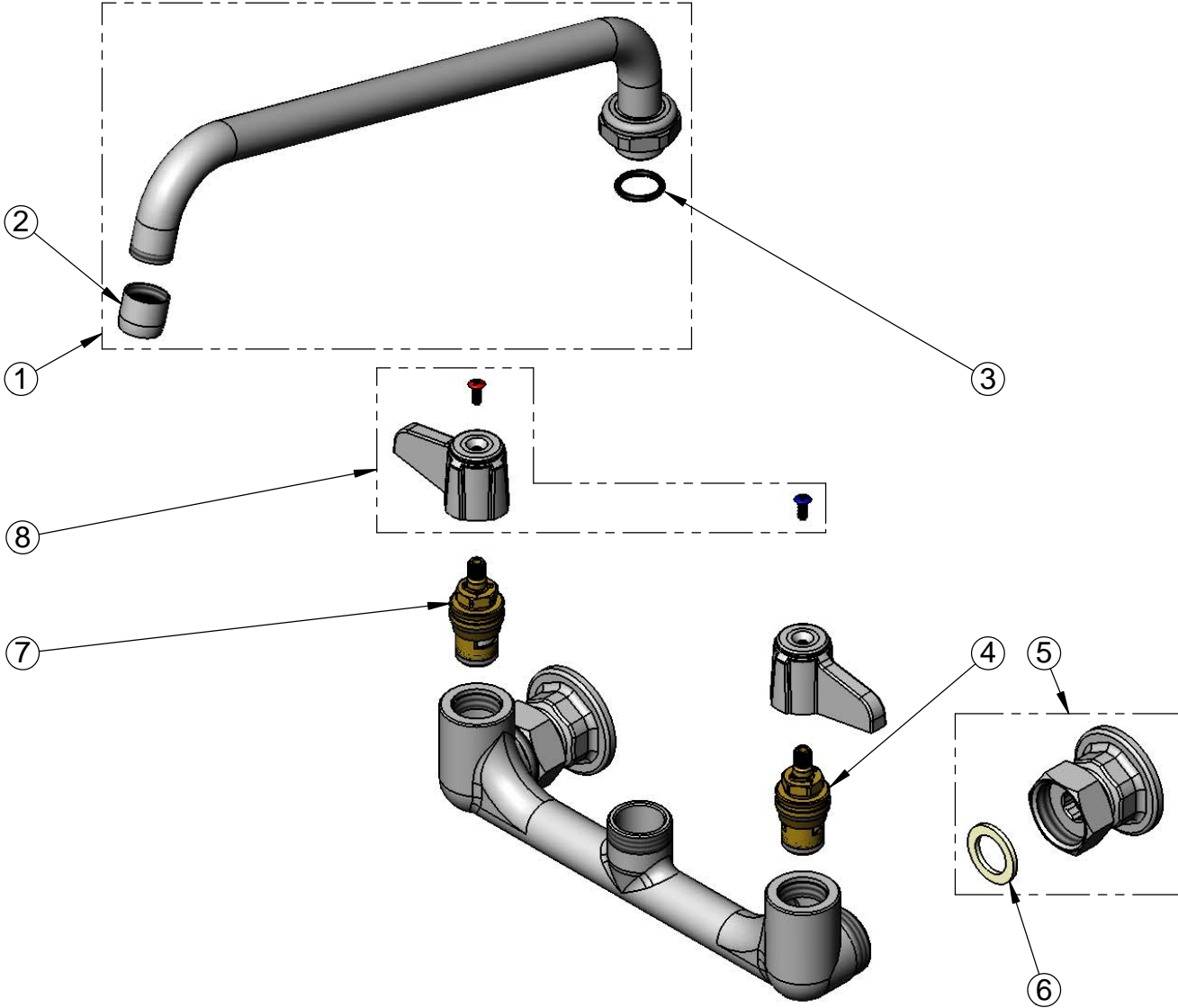
Model Number 5F-8WLX12	Date 10/27/11	Scale 1:4	Drawn DHL	Checked JRM	Approved JHB
----------------------------------	-------------------------	---------------------	---------------------	-----------------------	------------------------

Product Specifications:
**8" Centers Wall Mount Faucet w/
 12" Swivel Gooseneck**



equip Foodservice Accessories
 2 Saddleback Cove, P.O. Box 1088
 Travelers Rest, South Carolina 29690
 Phone: 800.891.4808 Fax: 800.868.0084

ITEM NO.	SALES NO.	DESCRIPTION
1	5SP-12	12" Swivel Spout w/ 3/4-27 UN Laminar Flow Device Outlet
2	014250-45	3/4-27 UN Laminar Flow Device
3	013848-45	Swivel Piece O-Ring
4	013788-45	Ceramic Cartridge, LTC
5	00AA	1/2" NPT Inlet Flange
6	001019-45	Coupling Nut Washer
7	013787-45	Ceramic Cartridge, RTC
8	5-HDL-L	"equip" Lever Handle w/ Color Coded Screws



Model Number 5F-8WLX12	Date 10/27/11	Scale NTS	Drawn DHL	Checked JRM	Approved JHB
---------------------------	------------------	--------------	--------------	----------------	-----------------



Product Specifications:

8" Centers Wall Mount Faucet w/
12" Swivel Gooseneck

equip Foodservice Accessories
2 Saddleback Cove, P.O. Box 1088
Travelers Rest, South Carolina 29690
Phone: 800.891.4808 Fax: 800.868.0084