

WATER COOLER MODELS B1CCT INSTRUCTIONS

1. INSPECTION

Inspect the carton and water cooler for evidence of rough handling and concealed damage. Damage claims should be filed with the carrier.

2. MAINTENANCE

Periodically remove dirt and lint from the black wire and tube condenser on the back of the cooler. Disconnect the power supply cord, then clean with the small brush attachment of a vacuum cleaner. Observance of this procedure will insure adequate air circulation so operation is efficient and economical.

3. OVERLOAD PROTECTION

The compressor motor is equipped with an automatic reset protector which will disconnect the motor from the line in case of an overload.

4. HOT TANK THERMOSTATS

ON HOT MODELS, THE HOT TANK THERMOSTATS ARE NOT DESIGNED TO OPERATE WET. AN ELECTRICAL FAULT MAY OCCUR IF THE THERMOSTATS ARE WETTED.

- a) Do not steam or wet clean in the thermostat area.
- b) All minor water spills must be wiped up immediately after loading or unloading bottle onto or from the cooler.
- c) Where major water spills or leaks have occurred, (internal components have gotten wet) do not operate the hot tank until it is assured that the thermostats have had a chance to dry out (a 48 hour period is sufficient) or that the thermostat(s) have been replaced.

5. LUBRICATION

This unit is equipped with a hermetically sealed compressor and requires no additional lubrication.

6. TO PUT WATER COOLER INTO SERVICE

Cooler has electrically operated valves and will not deliver water without being plugged in. Check the available power supply against the water cooler data plate to assure correct electrical service. Plug power supply cord into receptacle.

- a) Cold & Cook Models
 - 1) Invert water bottle on top of cooler.
 - 2) Draw water from faucet(s). Allow about 30 minutes for water to chill after cooler is plugged in.
- b) Hot Models
 - 1) Invert water bottle on top of cooler.
 - 2) Open hot faucet until water flows freely.
 - 3) Place the hot tank heater switch in the "ON" position.
 - 4) Allow cooler to operate about 30 minutes for chilled and hot water dispensing.
 - 5) DO NOT operate the hot tank with the baffle removed from the cold tank; water from the inverted water bottle may overflow onto the floor. Also, electrical consumption will increase.

CAUTION: ON MODELS WITH HOT TANK, FAILURE TO FILL HOT TANK WITH WATER BEFORE TURNING ON HOT TANK HEATER SWITCH, CAN CAUSE PHYSICAL DAMAGE TO THE UNIT.

CAUTION: WATER FROM HOT FAUCET CAN SCALD.

7. TO DISCONTINUE USE OF WATER COOLER

- a) Remove water bottle from cooler.
- b) Open faucet(s) to drain water.
- c) Hot Models: Place the hot water heater in the "OFF" position. Draw water from the hot faucet until the water is cool. Unscrew the drain cap on the rear of the unit and remove rubber plug and place over a drain or container. Replace plug and cap after draining
- d) Unplug cooler.

ALWAYS DRAIN ALL WATER WHEN FREEZING TEMPERATURES ARE ANTICIPATED AND BEFORE SHIPPING THE WATER COOLER.

8. SANITIZING INSTRUCTION

If sanitizing is required, a solution can be made using household bleach solution at a maximum concentration of 200 parts per million (add 2 ml of 10% sodium hypochlorite to 1 liter of water). DO NOT USE A STRONGER SANITIZING SOLUTION. Wash the cooling tank & baffle in the solution. Rinse immediately. Do not allow sanitizing solution to remain in the cooling tank for more than 5 minutes. On hot models, do NOT allow the sanitizing solution to enter the hot tank; plug the hot tank inlet. Dispense solution through cold faucet and cook faucet (if supplied). Rinse through faucet(s) with clean water. Remove plug from hot tank inlet. Drain hot tank and flush with clean water.

9. CLEANING

The following cleaners are acceptable for use on the cooler's plastic cabinetry and drip receptor:

Mild soap and water

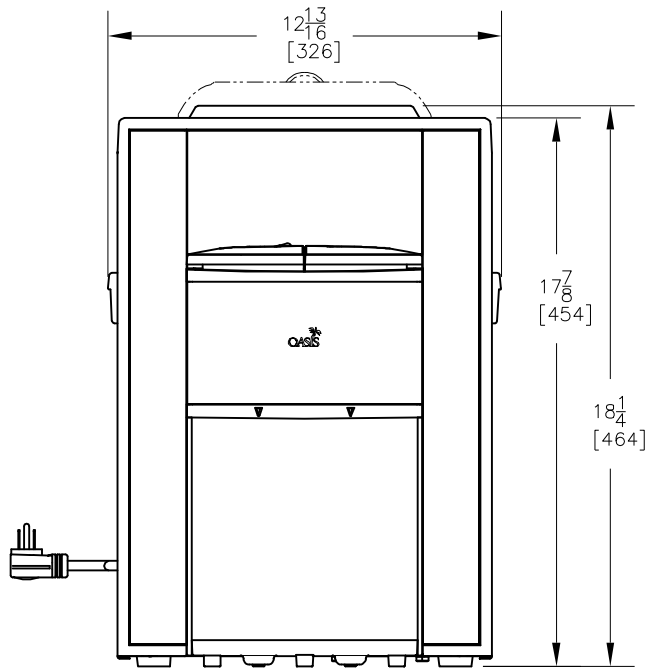
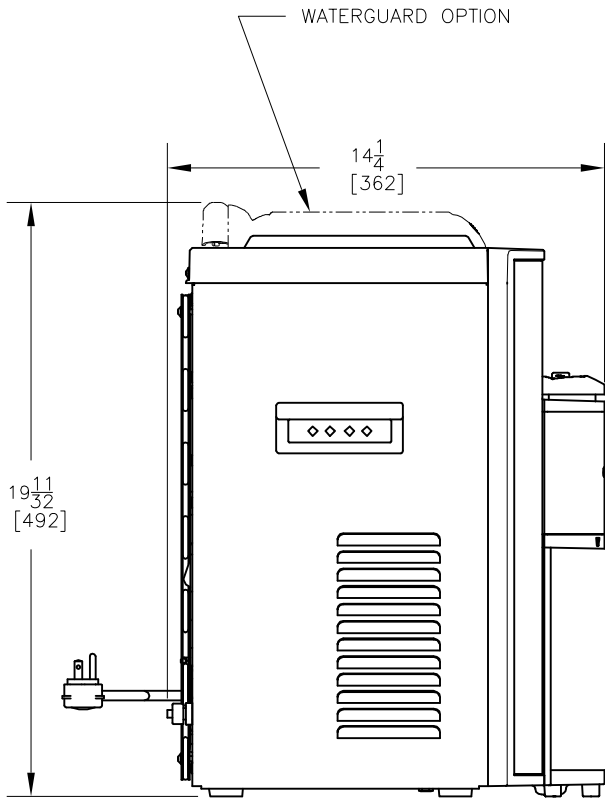
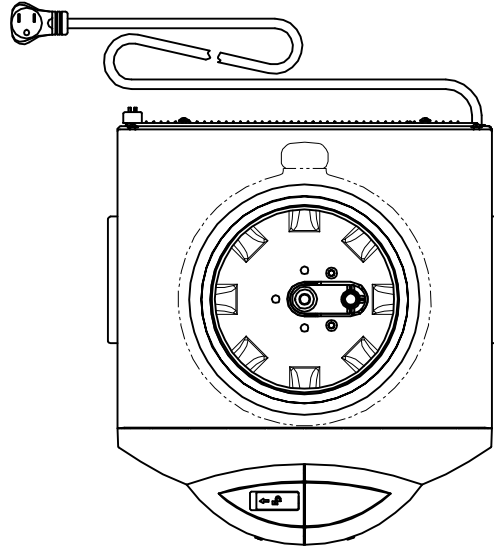
Do not use bleach or any cleaning agents containing bleach or chlorine.

WARNING

The warranty and Underwriters' Laboratory and Canadian Standards Association Listing for this machine are automatically void if any alteration, modification, or combination with any other machine or device is deemed to be the source of any claim. The Underwriters' Laboratory Listing and CSA's certification may be void as the result of any alteration or modification. The manufacturer accepts no liability resulting from any alteration, modification, or combination with any other machine or device.

EXCEPT AS SET FORTH HEREIN, THE MANUFACTURER MAKES NO OTHER WARRANTY, GUARANTEE OR AGREEMENT EXPRESSED, IMPLIED OR STATUTORY, INCLUDING ANY IMPLIED WARRANTY OR MERCHANTABILITY OR FITNESS FOR A PARTICULAR PURPOSE.

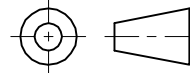
WATER COOLER MODELS B1CCT



NOTES:

1. ALL DIMENSIONS ARE IN INCHES.
DIMENSIONS IN BRACKETS [] ARE IN MILLIMETERS.

THIRD ANGLE PROJECTION



ROUGHING-IN
AND
DIMENSIONAL DRAWING

OASIS INTERNATIONAL
222 East Campus View Blvd. • Columbus, OH 43235 U.S.A.
1-800-950-3226
www.oasiscoolers.com