

e-SERIES

2 Way/2 Position Solenoid Valves
 » 1/8" - 2" NPT
 » 1/4", 3/8" Push-Connect Ports



SPECIFICATIONS

GENERAL INFORMATION:

The e-Series valves are uniquely suited for use in consumer applications where high reliability and low cost are paramount. All Noryl GTX-830 valves meet California law SB1953 and Vermont S152 for no lead content and coupled with the optional Santoprene seals are ideally suited for those seeking NSF61 certification. The polymer valves are available in pipe sizes ranging from 1/8" - 2" and Push-Fit connections of 1/4" and 3/8". Brass valves are also available in pipe sizes of 1/2" - 1".

(These valves are not intended for use in medical life-support, combustion, aerospace, automotive or similar applications)

Actuation Response Time:

20ms(1/8") -1 second(2") is typical

CONSTRUCTION

VALVE PARTS IN CONTACT WITH MEDIA:

Body - Noryl GTX-830, 30% Glass Filled Nylon or CA360 Brass
 Solenoid Assembly - S/S T430FR and T305, Copper
 Internals - S/S T302, S/S T316
 Seals - Nitrile (standard), Viton, EPDM, Santoprene

ELECTRICAL

Standard Voltages:

AC: 24-50/60, 110/120-50/60, 220/240-50/60
 DC: 12, 24 DC Latching: 6-12

Coil Rating:

Conduit/Canister- Class B Rated 130°C; 266°F
 Din 11mm- Class H Rated 180°C; 356°F

Nominal Ambient Temperature Ranges:

0°C to 49°C; 32°F to 120°F

DC Latching Valves:

2-Wire (std): 30-50 ms pulse of 6-12 VDC power is required for activation; a reversed polarity pulse is required for deactivation. Pulses outside this range may cause the valve to re-actuate.

OPTIONS

Additional Port Sizes, Seal Types, Voltages and Body materials are available upon request.

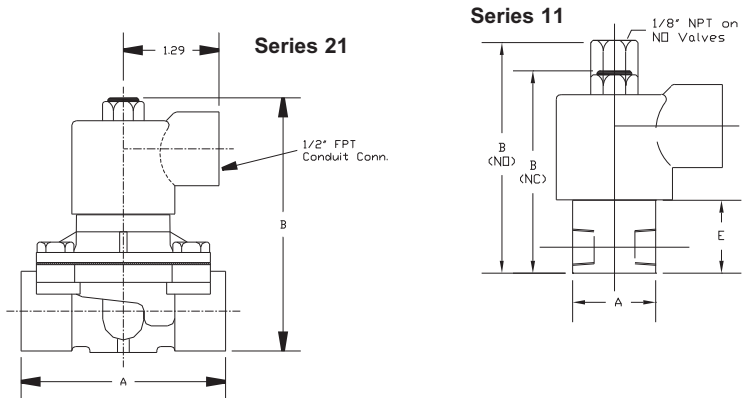
Port Size (in)	Orifice Size (in)	Flow Factor		Operating Pressure Differential Air / Gas / Water				Max. Operating Temp		Valve Series	Base Valve Part Number			
		Cv	Kv	Min. PSI/Bar	AC Max. (MOPD)		DC Max. (MOPD)		°F		°C	Noryl GTX-830	Brass	Glass Filled Nylon
					PSI	Bar	PSI	Bar						
NORMALLY CLOSED (CLOSED WHEN DE-ENERGIZED) - NPT														
1/8	1/32	.019	.016	0	250	17.24	250	17.24	180	82	11	1102X-022CE-	-	-
	3/64	.046	.039	0	250	17.24	250	17.24	180	82	11	1102X-032CE-	-	-
	1/16	.08	.068	0	250	17.24	250	17.24	180	82	11	1102X-042CE-	-	-
	3/32	.17	.145	0	150	10.34	200	13.79	180	82	11	1102X-062CE-	-	-
	1/8	.28	.239	0	90	6.21	70	4.83	180	82	11	1102X-082CE-	-	-
	5/32	.395	.337	0	30	2.07	25	1.72	180	82	11	1102X-102CE-	-	-
3/8	5/8	2.3	1.96	4/28	150	10.34	100	6.9	180	82	21	2105X-402CN-	-	-
1/2	5/8	3.0	2.56	4/28	150	10.34	100	6.9	180	82	21	2106X-402CN-	-	-
3/4	3/4	4.1	3.5	4/28	180	12.4	100	6.9	180	82	21	2108X-482CN-	-	-
	1	10	8.53	10/7	150	10.34	100	6.9	150	65	31	-	-	3108N-662CN-
	1	10	8.53	4/28	180	12.4	100	6.9	180	82	31	3108X-672CN-	-	-
1	1	14	11.94	10/7	150	10.34	100	6.9	150	65	31	-	-	3110N-662CN-
	1	14	11.94	4/28	150	10.34	100	6.9	180	82	31	3110X-672CN-	3110F-672CN-	-
1-1/2	1-1/2	40	34.12	10/7	150	10.34	100	6.9	150	65	31	-	-	3116N-692CN-
2	2	56	47.77	10/7	150	10.34	100	6.9	150	65	31	-	-	3120N-712CN-
NORMALLY CLOSED (CLOSED WHEN DE-ENERGIZED) - PUSH-CONNECT PORTS														
1/4	1/16	.08	.068	0	150	10.34	100	6.9	180	82	11	11J4X-042CE-	-	-
	3/32	.17	.145	0	150	10.34	100	6.9	180	82	11	11J4X-042CE-	-	-
	1/8	.28	.239	0	90	6.21	70	4.83	180	82	11	11J4X-042CE-	-	-
	5/32	.395	.338	0	30	2.07	25	1.72	180	82	11	11J4X-042CE-	-	-
3/8	5/8	2.3	1.96	4/28	150	10.34	100	6.9	180	82	21	21J5X-402CN-	-	-



Port Size (in)	Orifice Size (in)	Flow Factor		Operating Pressure Differential Air / Gas / Water				Max. Operating Temp		Valve Series	Base Valve Part Number			
		Cv	Kv	Min. PSI/Bar	AC		DC		°F		°C	Noryl GTX-830	Brass	Glass Filled Nylon
					Max. (MOPD) PSI	Max. (MOPD) Bar	Max. (MOPD) PSI	Max. (MOPD) Bar						
NORMALLY OPEN (OPEN WHEN DE-ENERGIZED) - NPT														
1/8	1/16	.08	.068	0	150	10.34	150	10.34	180	82	11	1102X-042OE-	-	-
3/8	5/8	2.3	1.96	4/28	150	10.34	100	6.9	180	82	21	2105X-402ON-	-	-
1/2	5/8	3.0	2.56	4/28	150	10.34	100	6.9	180	82	21	2106X-402ON-	-	-
3/4	3/4	4.1	3.5	4/28	180	12.4	100	6.9	180	82	21	2108X-482ON-	-	-
	1	10	8.53	10/7	150	10.34	100	6.9	150	65	31	-	-	3108N-662ON-
	1	10	8.53	4/28	180	12.4	100	6.9	180	82	31	3108X-672ON-	-	-
1	1	14	11.94	10/7	150	10.34	100	6.9	150	65	31	-	-	3110N-662ON-
	1	14	11.94	4/28	150	10.34	100	6.9	180	82	31	3110X-672ON-	3110F-672ON-	-
1-1/2	1-1/2	40	34.12	10/7	150	10.34	100	6.9	150	65	31	-	-	3116N-692ON-
2	2	56	47.77	10/7	150	10.34	100	6.9	150	65	31	-	-	3120N-712ON-
MAGNETIC LATCHING (PULSE TO SHIFT OPEN OR CLOSE-DC ONLY) - NPT (FULL PART NUMBER LISTED)														
1/8	1/32	.019	.016	0	-	-	150	10.34	180	82	11	1102X-022LN-B373CN	-	-
	3/64	.046	.039	0	-	-	150	10.34	180	82	11	1102X-032LN-B373CN	-	-
	1/16	.08	.068	0	-	-	150	10.34	180	82	11	1102X-042LN-B373CN	-	-
	3/32	.17	.145	0	-	-	150	10.34	180	82	11	1102X-062LN-B373CN	-	-
	1/8	.28	.239	0	-	-	70	4.83	180	82	11	1102X-082LN-B373CN	-	-
	5/32	.395	.337	0	-	-	25	1.72	180	82	11	1102X-102LN-B373CN	-	-
3/8	5/8	2.3	1.96	4/28	-	-	100	6.9	180	82	21	2105X-402LN-B373CN	-	-
1/2	5/8	3.0	2.56	4/28	-	-	100	6.9	180	82	21	2106X-402LN-B373CN	-	-
3/4	3/4	4.1	3.5	4/28	-	-	100	6.9	180	82	21	2108X-482LN-B373CN	-	-
	1	10	8.53	10/7	-	-	100	6.9	150	65	31	-	-	3108N-662LN-B373CN
	1	10	8.53	4/28	-	-	100	6.9	180	82	31	3108X-672LN-B373CN	-	-
1	1	14	11.94	10/7	-	-	100	6.9	150	65	31	-	-	3110N-662LN-B373CN
	1	14	11.94	4/28	-	-	100	6.9	180	82	31	3110X-672LN-B373CN	3110F-672LN-B373CN	-
1-1/2	1-1/2	40	34.12	10/7	-	-	100	6.9	150	65	31	-	-	3116N-692LN-B373CN
2	2	56	47.77	10/7	-	-	100	6.9	150	65	31	-	-	3120N-712LN-B373CN

Coil Options - (add code to base part number)

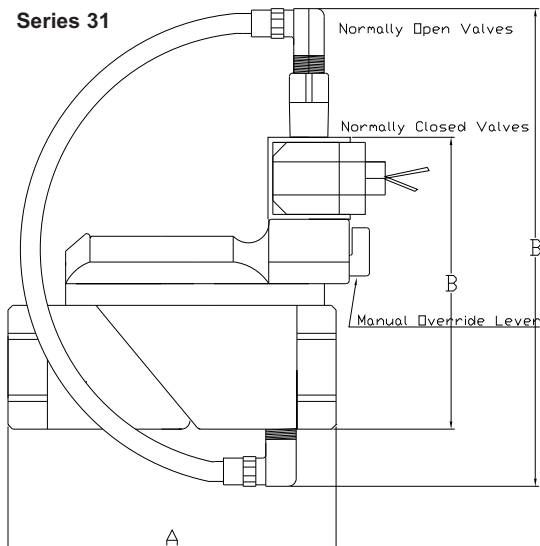
Coil Type	Conduit - 24" Leads	43650B Din 11mm	Canister (Available on Normally Closed Valves Only)
B291DC	24-50/60 VAC 12 VDC	H305LL 24-50/60	B291CN 24-50/60 VAC 12 VDC
B210DC	110/50- 120/60	H310LL 110/50- 120/60	B375CN 24 VDC
B223DC	220/50- 240/60	H325LL 220/50 H372LL 12 VDC H375LL 24 VDC	



Wattage Rating and Power Consumption				
Coil Type	AC			DC
	Wattage	VA Inrush	VA Holding	Wattage
Conduit/Can	5	.39	.20	6
43650B Din	7.5	.58	.30	7.5

DIMENSIONS (in inches)

Pipe Size	A	B NC	B NO	C	E	Wt. lbs	
						Polymer	Brass
Series 11							
1/8"	1.64	2.48	2.96	-	.91	.31	-
Series 21							
3/8" & 1/2"	2.76	3.34	3.83	2.34	-	.62	-
3/4"	2.76	3.86	4.31	2.34	-	.65	-
Series 31							
3/4" & 1"	4.40	4.10	5.98	3.18	-	.77	3.23
1-1/2"	6.30	7.20	8.14	4.95	-	2.20	-
2"	6.80	7.40	8.34	4.95	-	2.40	-



Manual Override lever available on Glass Filled Nylon valves only