

Twistloc® Angle Valve Adapters

DESCRIPTION

The **Twistloc®** Angle Valve Adapters are manufactured in White Polypropylene, reinforced plastic which provides value-added advantages in the installation of water supply line.

The **Twistloc®** Angle Valve Adapters are designed for use in Drinking water systems, Ice-Maker and Water filtration applications, etc.,. Our valves offer greater efficiency than traditional water angle valves.

SYSTEM ADVANTAGES & BENEFITS

Push-fit Connection

All white plastic system

Strong Gripping Strength

Suitable and safe for plumbing systems

Permanent anti-leak connection

Perfect connection with Push and twist and lock system

Better positioning with Swivel

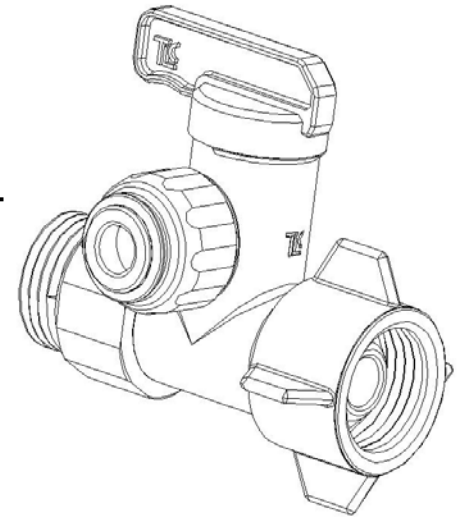
90° Turn ON / OFF

Flexibility

Light weight for easy handling at sites.

No Tools required – Hand tighten

Lead free



SPECIFICATION DATA

Performance:

Max. Working Pressure @ Max. Working Temperature

145psi@68°F 58psi@140°F

10bar@20°C 4bar@60°C

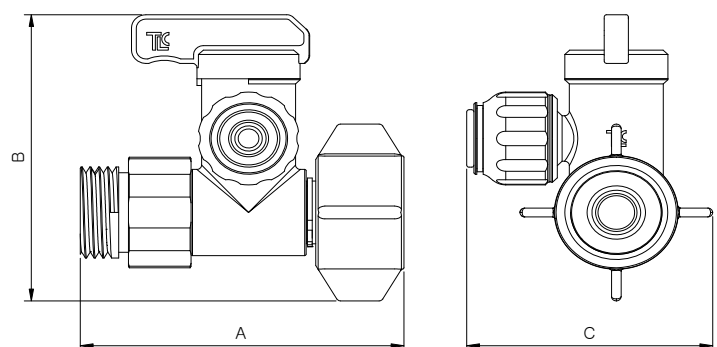
Materials:

BodyPolypropylene

ShaftPolysulfone

Oring.....EPDM

Gripper..... EP w/t Stainless Steel



PART No	Description	A	B	C
AV67201	1/2" Male NPS x 1/2" Female NPS x 1/4"OD	68.3	65.8	51.9
AV67202	1/2" Male NPS x 1/2" Female NPS x 3/8"OD	68.3	65.8"	53.4

* Available with Nickel Brass Plated Thread by Customer's demand

CERTIFICATIONS

The **Twistloc®** Angle Valve Adapters are produced with the same quality of material which is approved in accordance with NSF-61.