



# T&S BRASS AND BRONZE WORKS, INC.

2 Saddleback Cove / P.O. Box 1088  
Travelers Rest, SC 29690



REG. #A2601  
ISO #9001

Model No.

**B-0200-LN**

Item No.

Travelers Rest, SC: 800-476-4103 • Simi Valley, CA: 800-423-0150 • Fax: 864-834-3518 • www.tsbrass.com

This Space for Architect/Engineer Approval

Job Name \_\_\_\_\_ Date \_\_\_\_\_

Model Specified \_\_\_\_\_ Quantity \_\_\_\_\_

Customer/Wholesaler \_\_\_\_\_

Contractor \_\_\_\_\_

Architect/Engineer \_\_\_\_\_

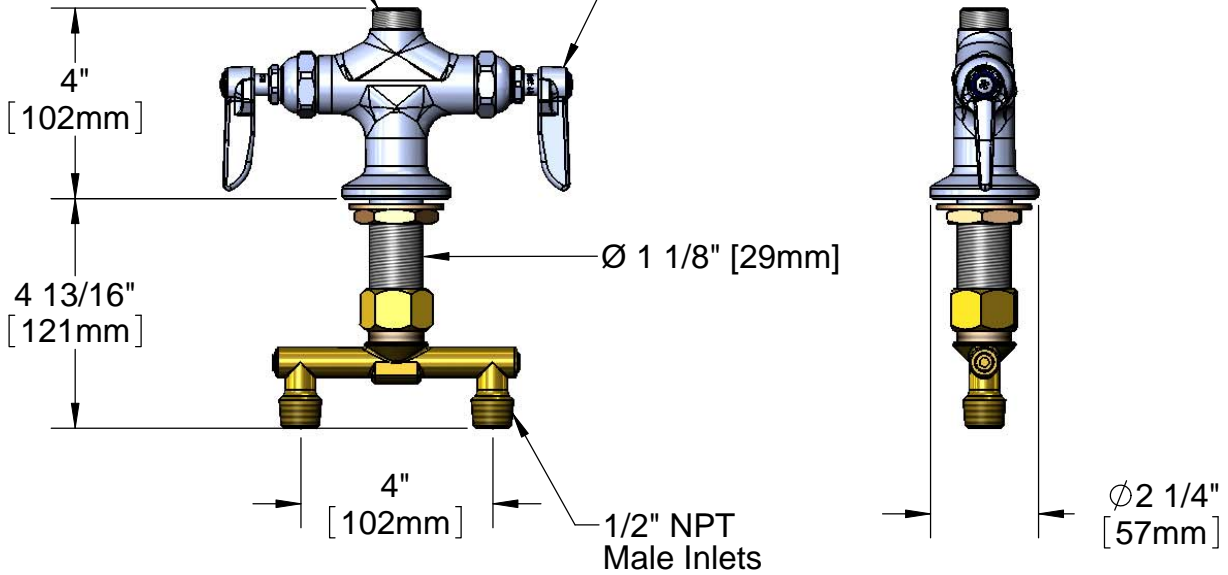


**ADA Compliant**



Swivel Outlet Accepts  
Standard T&S Swing  
Nozzles

Eterna Cartridges &  
Lever Handles w/  
Color Coded Indexes



(2) 150A Tailpiece  
and Nut Furnished  
For Optional 1/4" NPT  
Connection

Product Specifications:  
Double Pantry Faucet, Eterna Cartridges, Spreader w/ 1/2" NPT  
Male Inlets & Lever Handles

Drawn

DHL

Checked

KJG

Approved

JHB

Scale:

1:4

Date:

04/04/11



**T&S BRASS AND BRONZE WORKS, INC.**

2 Saddleback Cove / P.O. Box 1088  
Travelers Rest, SC 29690



REG. #A2601  
ISO #9001

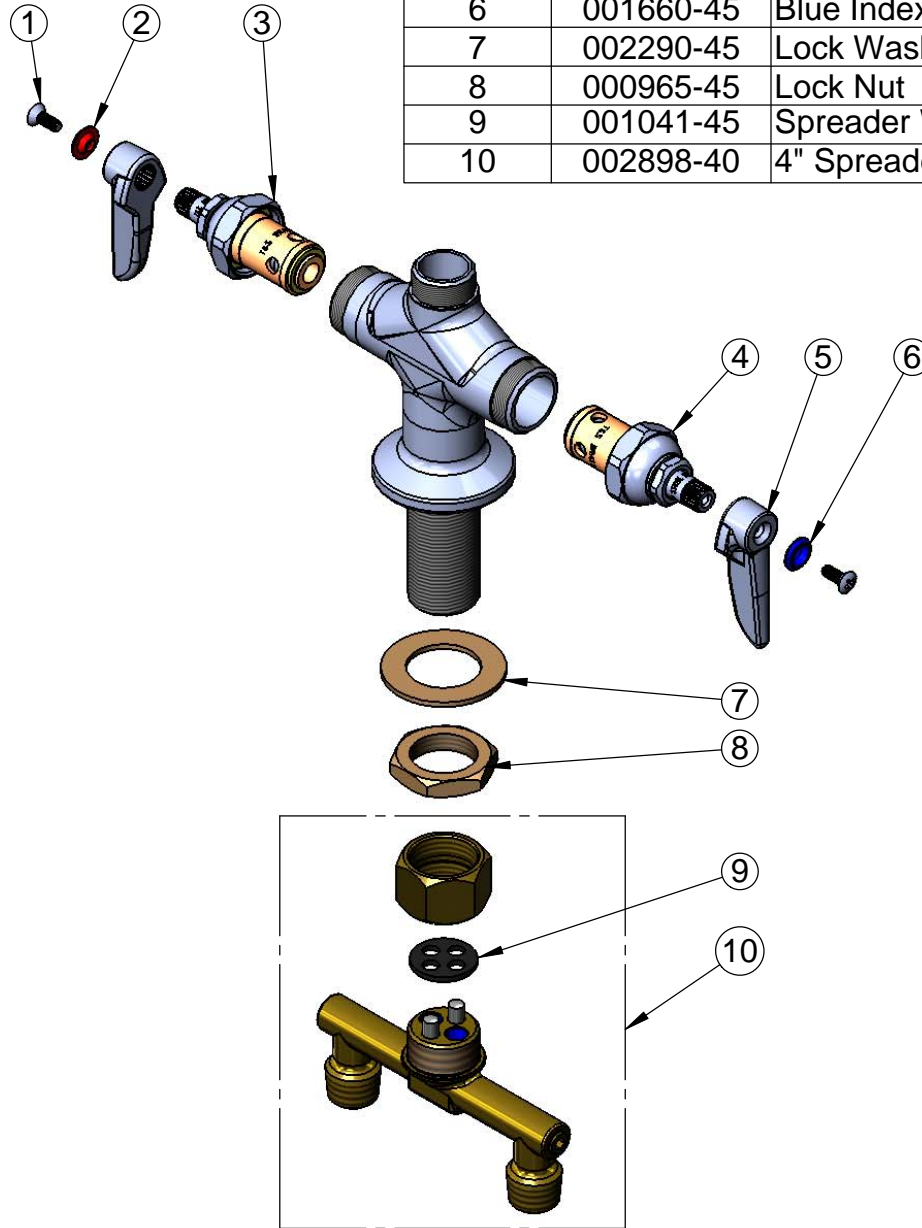
Model No.

**B-0200-LN**

Item No.

Travelers Rest, SC: 800-476-4103 • Simi Valley, CA: 800-423-0150 • Fax: 864-834-3518 • www.tsbrass.com

ITEM NO.	SALES NO.	DESCRIPTION
1	000922-45	Lever Handle Screw
2	001661-45	Red Index-HW
3	005960-40	Spindle Asm, Eterna "Hot"
4	005959-40	Spindle Asm. Eterna "Cold"
5	001638-45	Lever Handle
6	001660-45	Blue Index-CW
7	002290-45	Lock Washer
8	000965-45	Lock Nut
9	001041-45	Spreader Washer
10	002898-40	4" Spreader Assembly



Product Specifications:  
Double Pantry Faucet, Eterna Cartridges, Spreader w/ 1/2" NPT  
Male Inlets & Lever Handles

Drawn <b>DHL</b>	Checked <b>KJG</b>	Approved <b>JHB</b>
---------------------	-----------------------	------------------------

Scale: <b>NTS</b>	Date: <b>04/04/11</b>
----------------------	--------------------------