

Big Switch™ Pump Control

Operation, Maintenance
and Installation Manual



Warning: Turn off all power when installing or adjusting unit.
Failure to turn off all power could result in serious injury or death!

Warning: End user to provide overcurrent protection rated at 240VAC
minimum, 15 Amps maximum.

Read instructions thoroughly. Check local codes and install to meet requirements.

UL Listed. Suitable for
Water and Sewage.

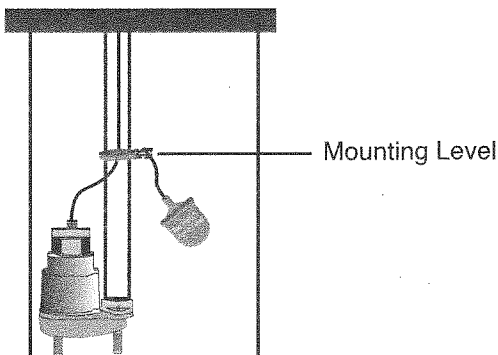
Note: Check to make sure the right float switch is being used for the right application.

Normally Open - float switches are open while hanging "down" and will close on a rising liquid level. Typically used for "empty tank" applications.

Normally Closed - float switches are closed while hanging "down" and will open on a rising liquid level. Typically used for "filling tank" applications.

1. Determine desired cord tether length . See Figure 2.
2. Attach the Pipe Clamp at the desired location. See Figure 1. Adjust the tether length to achieve the desired pumping range. Use Figure 2 as a guide and test system by filling tank and cycling the system to achieve actual desired pumping range.
3. Tighten the clamp as tight as possible.
4. Electrical outlet must not be located in pump chamber. Electrical outlet voltage, piggyback plug voltage, and pump voltage must match. Insert switch's piggyback plug into outlet. Plug pump into piggyback plug and check the system by allowing the system to cycle to insure proper operation.

Figure 1



Typical application shown
is for a pumping system

Caution! Use Only
As A Guide, Actual
Testing Must Be
Performed To Obtain
Actual Pumping Range.

Caution! Minimum
Tether Length is 4"

Figure 2

Tether Length	Pumping Range
4"	8"
5"	9"
6"	10"
7"	11"
8"	12"
9"	13"
10"	14"
11"	15"
12"	16"
13"	17"
14"	18"
15"	19"
16"	20"
17"	21"
18"	22"

Specifications

- Electrical:** 15 amp @ 120 VAC/240 VAC
Cord: SJOW-A flexible 14 gauge, 2 conductor Neoprene
Float Housing: High Impact PVC, 3.25" diameter x 4.55" length
Max Temperature: 140 degrees F.
Switch Configuration: Single Pole, Single Throw



Alderon Industries, LLC P/N 10384 Rev A
P.O. Box 827 2/3/03
Hawley, MN 56549 Phone: 218.483.3034
Fax: 218.483.3036

Page 1 of 1