



Operating Instructions for 115V POU1CCT Watercoolers

A. INSPECTION

Inspect the carton and water cooler for evidence of concealed damage. Damage claims should be filed with the carrier.

B. MAINTENANCE

1. Periodically remove dirt and lint from the condenser. Inspection should be done every three months. If cleaning is required, disconnect the power supply cord, then clean the condenser with a small stiff non-wire brush. Following this procedure will ensure adequate air circulation through the condenser for efficient and economical operation.
2. A cone shaped strainer can be found in the tube leading into the mechanical float valve on the reservoir cap. It can be removed and flushed clean. Be sure to replace it in the tube once cleaned.

C. OVERLOAD PROTECTION

The compressor motor is equipped with an automatic reset protector which will disconnect the motor from the line in case of an overload.

D. HOT TANK THERMOSTATS

ON HOT MODELS, THE HOT TANK THERMOSTATS ARE NOT DESIGNED TO OPERATE WET. AN ELECTRICAL FAULT MAY OCCUR IF THE THERMOSTATS ARE WETTED.

- a. Do not steam or wet clean in the thermostat area.
- b. Where major water spills or leaks have occurred (internal components have gotten wet), do not operate the hot tank until the thermostats have been given sufficient time to dry out (48 hours), or the thermostat(s) have been replaced.

E. LUBRICATION

This unit is equipped with a sealed compressor that requires no additional lubrication.

E. TO PUT WATER COOLER INTO SERVICE

Note: The following states require a licensed plumber to install cooler; AR, GA, MA, MI, OK, RI, SC, SD, TX, VT and WI. CA, KS, MN, NM and OR allow for a state-registered installer or contractor as well. State and local plumbing codes may prohibit the use of saddle tapping valves for water line connection in some applications. All connections must conform to applicable plumbing codes.

- a. This unit is suitable for indoor use in domestic, commercial & industrial locations. It should not be placed in locations where it may be subjected to rain or snow. Recommended ambient temperatures for correct operation of the unit are between 50°F [10°C] and 90°F [32°C].
- b. The water cooler should be located a minimum of 2" [50mm] from the wall to assure adequate condenser air circulation.
- c. Cold water temperatures may be adjusted via a slotted screw on the body of the control (can be accessed through wires on the condenser). Turning this screw in the clockwise direction will make the water colder (and vice versa)
- d. The machine should only be connected to a potable drinking water supply with water pressure between 25 psig [0.2 MPa] and 100 psig [0.7 MPa]. **WARNING: A pressure regulator, such as a Slow Flow regulator, must be installed in front of the unit's water inlet if the water pressure (including any possible pressure spikes) could exceed 100psig.**
- i. Check the available power supply against the water cooler data plate to ensure correct electrical service (DO NOT PLUG IN AT THIS TIME).
- j. If filter(s) are to be added, follow filter manufacturer's recommended instructions for flushing.
- k. Connect the water supply to the fitting on the rear of the cooler using ¼" tubing.
- l. Reservoir will now begin to fill.

Cook and Cold Model

- a. Plug in the water cooler.
- b. Draw water from the faucets.
- c. Allow about 30 minutes for the water to chill after the cooler is plugged in. (Optimum cold water temperatures will not be reached for several hours).

Hot and Cold Model

- a. Check that the hot tank is switched off, then plug in the water cooler.
- b. Open the hot faucet until water flows freely.
- c. Place the hot tank heater switch in the "ON" position.
- d. Allow the cooler to operate for about 30 minutes for chilled and hot water dispensing (Optimum cold water temperatures will not be reached for several hours).

CAUTION : ON MODELS WITH HOT TANKS, FAILURE TO FILL THE HOT TANK WITH WATER BEFORE TURNING ON THE HOT TANK HEATER SWITCH CAN CAUSE PHYSICAL DAMAGE TO THE UNIT.

CAUTION : WATER FROM THE HOT FAUCET CAN SCALD

G. SAFETY FLOAT

The cooler is equipped with a safety float to prevent overfilling in case the fill float fails. If the fill float should fail, the safety float will be activated as the water level rises. When the safety float is activated, water flow to the reservoir will be shut off. Press the black reset button about half way down on the reservoir cap until you hear the water flow restart, then call your service representative. **CAUTION: A hard impact or jarring of the unit while it is filling may trip the safety float.**

H. TO DISCONTINUE USE OF WATER COOLER

Disconnect the power supply cord from the power supply.

Cook and Cold Model

- a. Turn off the water supply.
- b. Drain water in reservoir through faucets.

- c. Disconnect the power cord from the power supply.
- d. ALWAYS DRAIN ALL WATER WHEN FREEZING TEMPERATURES ARE ANTICIPATED AND BEFORE SHIPPING THE WATER COOLER.

Hot and Cold Model

- a. Place the hot tank switch in the "OFF" position.
- b. Draw water from the hot faucet until the water is cool.
- c. Turn off the water supply.
- d. Drain water in the reservoir through the faucets.
- e. Disconnect the power cord from the power supply.
- f. Place a container under the end of the drain tube – the drain has a white plastic screw-on cap that exits the cooler through the rear of the cooler.
- g. Remove the screw-on cap to drain the tank.
- h. Refit the screw-on cap when the tank is empty.

CAUTION : DO NOT DRAIN THE HOT TANK WITHOUT DRAWING WATER FROM THE HOT FAUCET UNTIL THE WATER IS COOL - HOT WATER CAN SCALD

CAUTION : ALWAYS DRAIN ALL WATER WHEN FREEZING TEMPERATURES ARE ANTICIPATED AND BEFORE SHIPPING THE WATER COOLER.

I. SANITISING INSTRUCTIONS

A solution can be made by adding 1/2 teaspoonful of household bleach to one (1) gallon of water or 2 ml of household bleach to 3 L of water. DO NOT use a stronger sanitizing solution. Wash the cooling tank and baffle in the solution. Rinse immediately. DO NOT allow sanitizing solution to remain in the reservoir more than 5 minutes. On hot models, DO NOT allow sanitizing solution to enter hot tank; plug inlet to hot tank using a tapered cork with 1/2" (13mm) mean diameter. Dispense solution through cold faucet and cook faucet, if so equipped. Rinse through faucet(s) with clean water. Remove plug from hot tank water inlet. Rinse hot tank thoroughly through hot faucet and through hot tank drain. Drain hot tank and flush with clean water.

J. CLEANING

In order to preserve the surface finish, do not use abrasive cleaning agents or solutions over 150°F (66°C). It is recommended that a non-caustic, mild liquid detergent and warm water be used. Do not use solvents.

K. REFRIGERANT

This product contains the hydrofluorocarbon refrigerant R-134a which has a Global Warming Potential of 1,300.

L. SAFETY FAUCET

A safety device is fitted to the hot faucet to deter accidental dispensing of water by toddlers. To operate the faucet, simply push the slide in the direction of the arrow and press down on the button.

WARNING

This appliance is not suitable for unsupervised use by young children or aged and infirm persons.

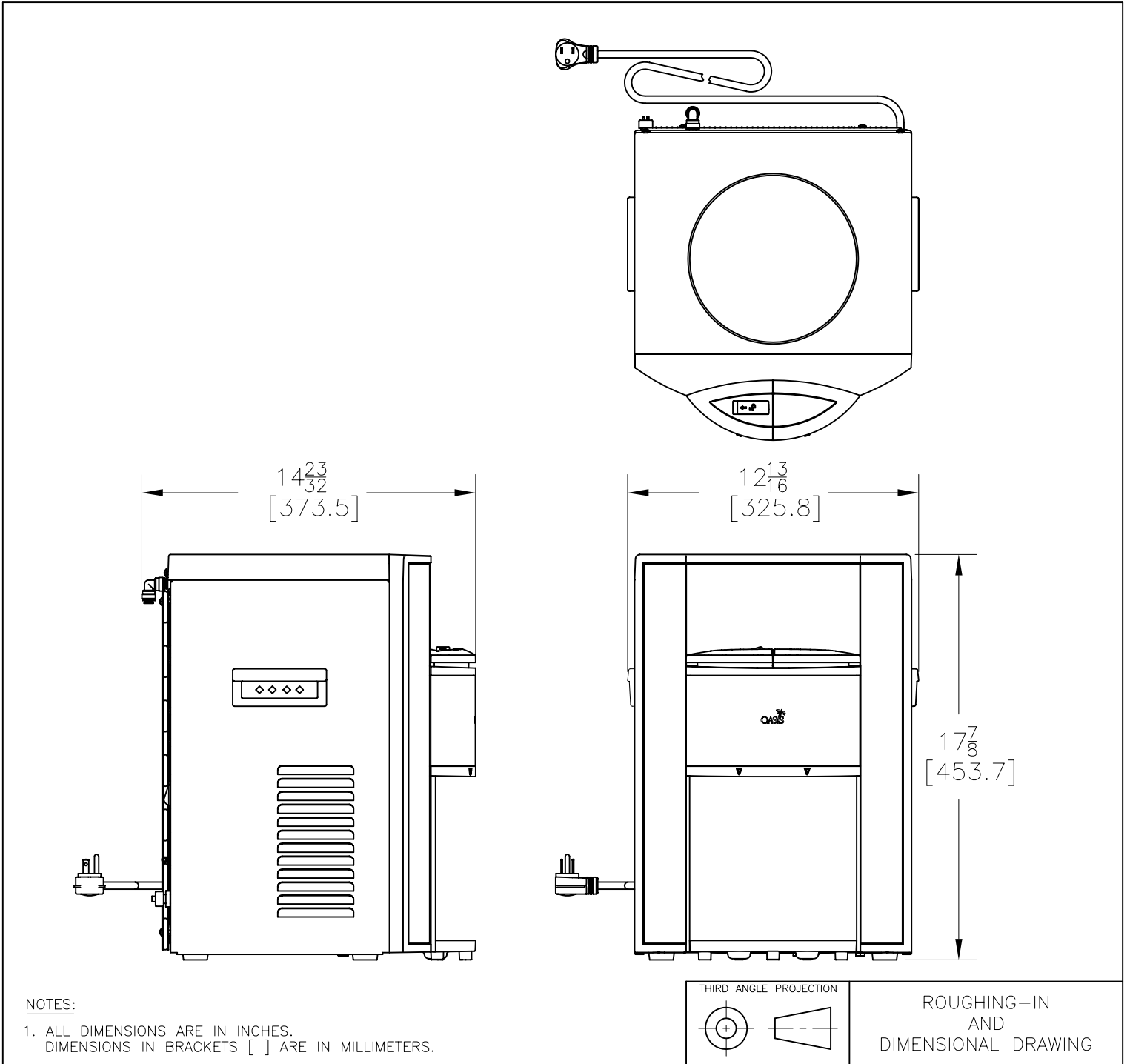
The warranty and Underwriter's Laboratory certification for this machine are automatically void if any alteration, modification, or combination with any other machine or device is deemed to be the source of any claim. The UL certification may be void as the result of any alteration or modification. The manufacturer accepts no liability resulting from any alteration, modification, or combination with any other machine or device.

EXCEPT AS SET FORTH HEREIN, THE MANUFACTURER MAKES NO OTHER WARRANTY, GUARANTEE, OR AGREEMENT EXPRESSED, IMPLIED OR STATUTORY, INCLUDING ANY IMPLIED WARRANTY OR MERCHANTABILITY OR FITNESS FOR A PARTICULAR PURPOSE



222 East Campus View Blvd. • Columbus, OH 43235 U.S.A.
1-800-950-3226
www.oasiscoolers.com

WATERCOOLER MODELS POU1CCT



222 East Campus View Blvd. • Columbus, OH 43235 U.S.A.
1-800-950-3226
www.oasiscoolers.com