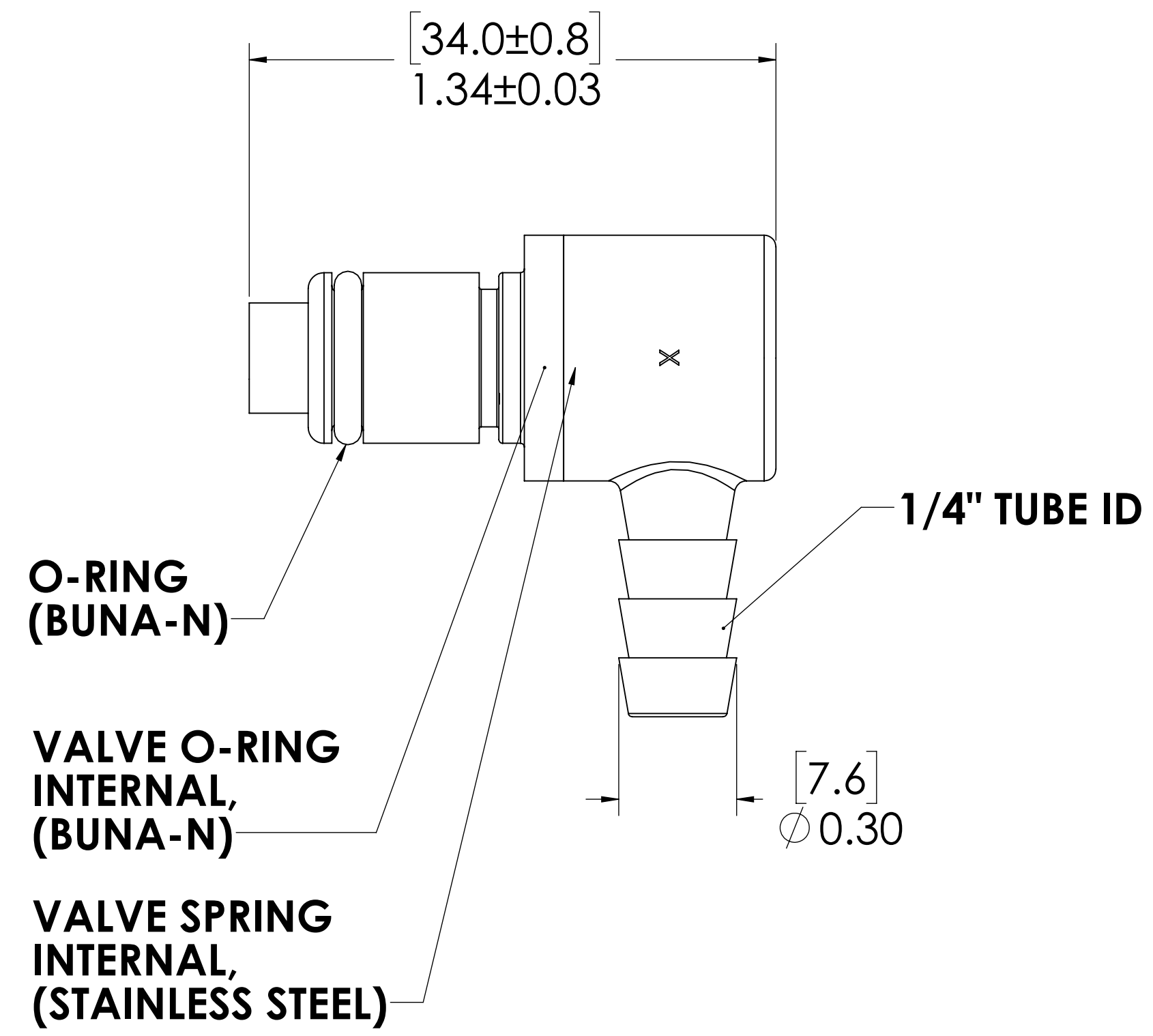
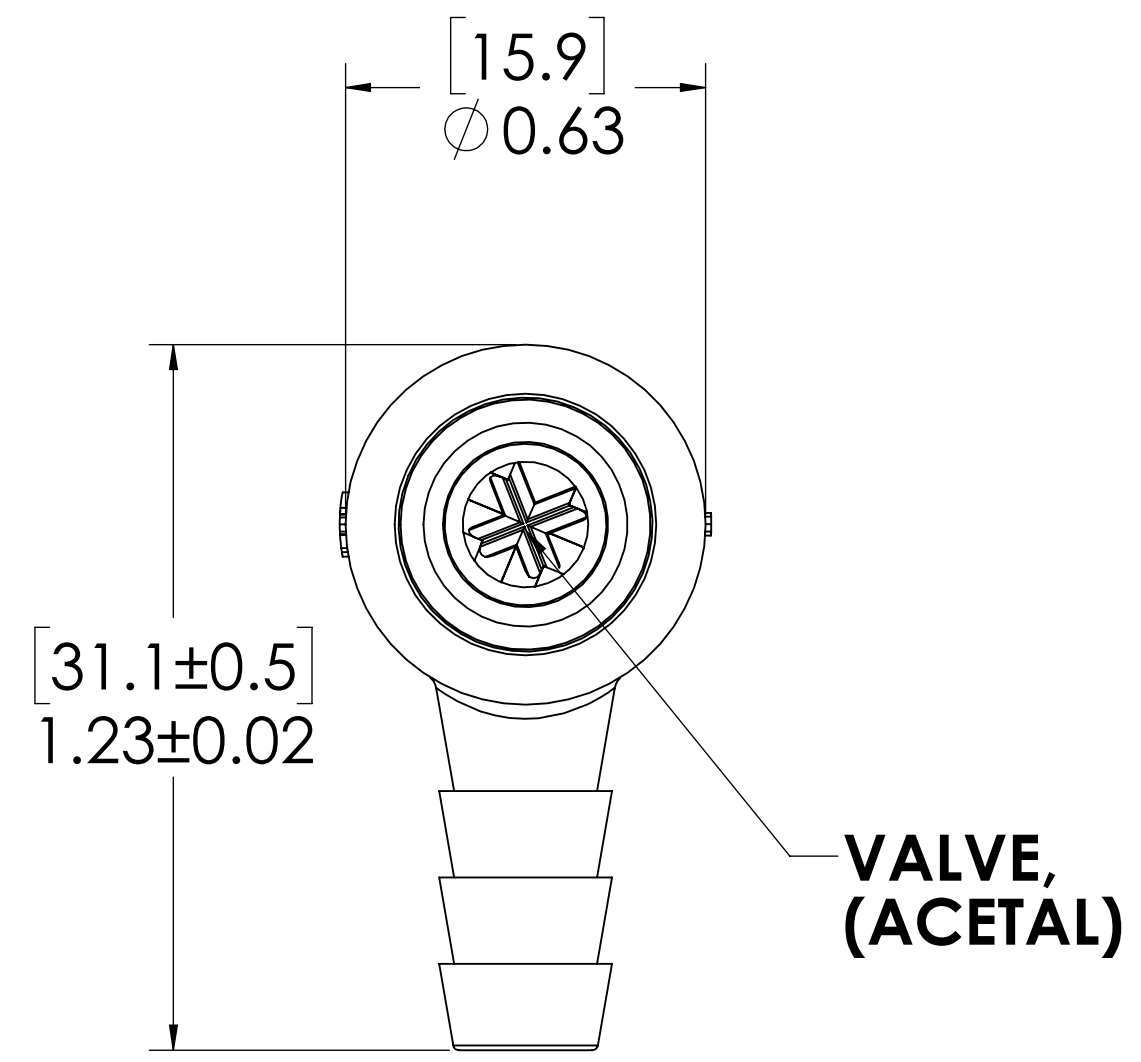
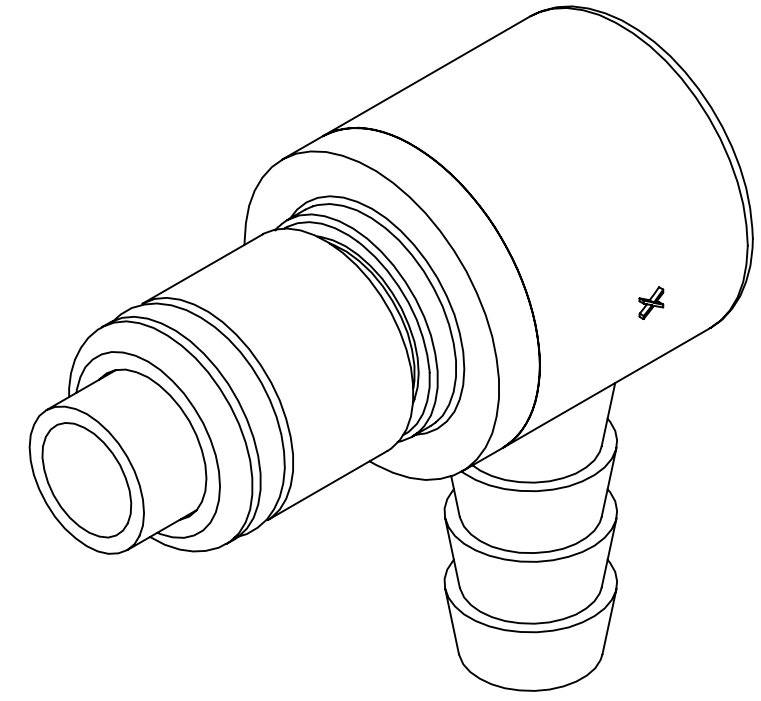


REVISIONS						
SHEET	ZONE	REV.	ECO	DESCRIPTION	DATE	APPROVED
1	ALL	A	50253	UPDATE DWG TO CURRENT FORMAT & STANDARDS	10/12/2018	HRC



- NOTES:**
- MATERIAL: ACETAL
  - COLOR: NATURAL WHITE
  - O-RING MATERIAL: BUNA-N
  - O-RINGS LUBRICATED WITH FOOD GRADE SILICONE OIL, 350 CST.

**FOR REFERENCE ONLY**

<small>UNLESS OTHERWISE SPECIFIED:  DIMENSIONS ARE IN INCHES  TOLERANCES:  FRACTIONAL ± 1/32  ANGULAR: MACH ± 0.5 BEND ± 2  ONE PLACE DECIMAL ± 0.1  TWO PLACE DECIMAL ± 0.01  THREE PLACE DECIMAL ± 0.005  TWO PLACE DUAL (mm) [±0.12]</small>	DRAWN	<b>LDM</b>	<b>11/29/17</b>	 <b>PART NO: 40ACV-PB4-04</b> DESCRIPTION: <b>LinkTech 40AC Series Elbow Male, Valved, 1/4" HB, Natural Acetal</b>
	CHECKED	<b>HRC</b>	<b>11/29/17</b>	
	ENG APPR.	<b>HRC</b>	<b>10/12/18</b>	
	MFG APPR.	<b>BDB</b>	<b>10/12/18</b>	
PRODUCTION	<b>LS</b>	<b>10/12/18</b>		<small>PROPRIETARY AND CONFIDENTIAL</small> <small>THE INFORMATION CONTAINED IN THIS DRAWING IS THE SOLE PROPERTY OF LINKTECH LLC. ANY REPRODUCTION OR DISCLOSURE IN PART OR AS A WHOLE WITHOUT THE WRITTEN PERMISSION OF LINKTECH LLC IS STRICTLY PROHIBITED.</small>
COMMENTS:				SIZE DWG. NO. REV <b>C 40AC400238 A</b>
SCALE: NTS WEIGHT:			SHEET 1 OF 1	