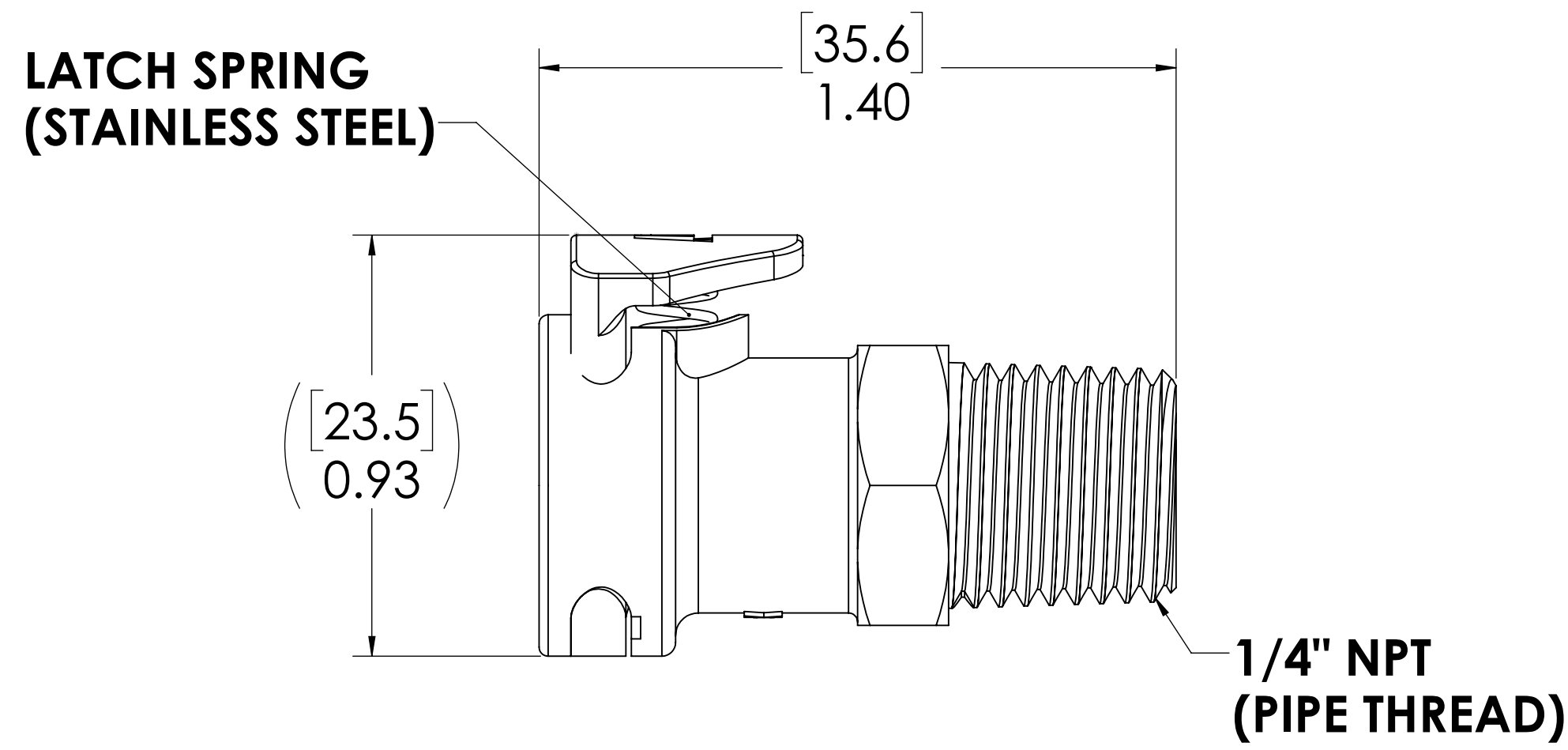
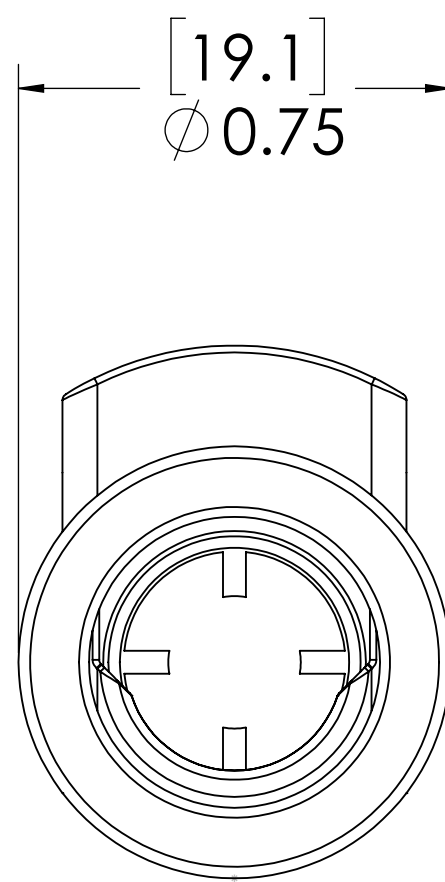
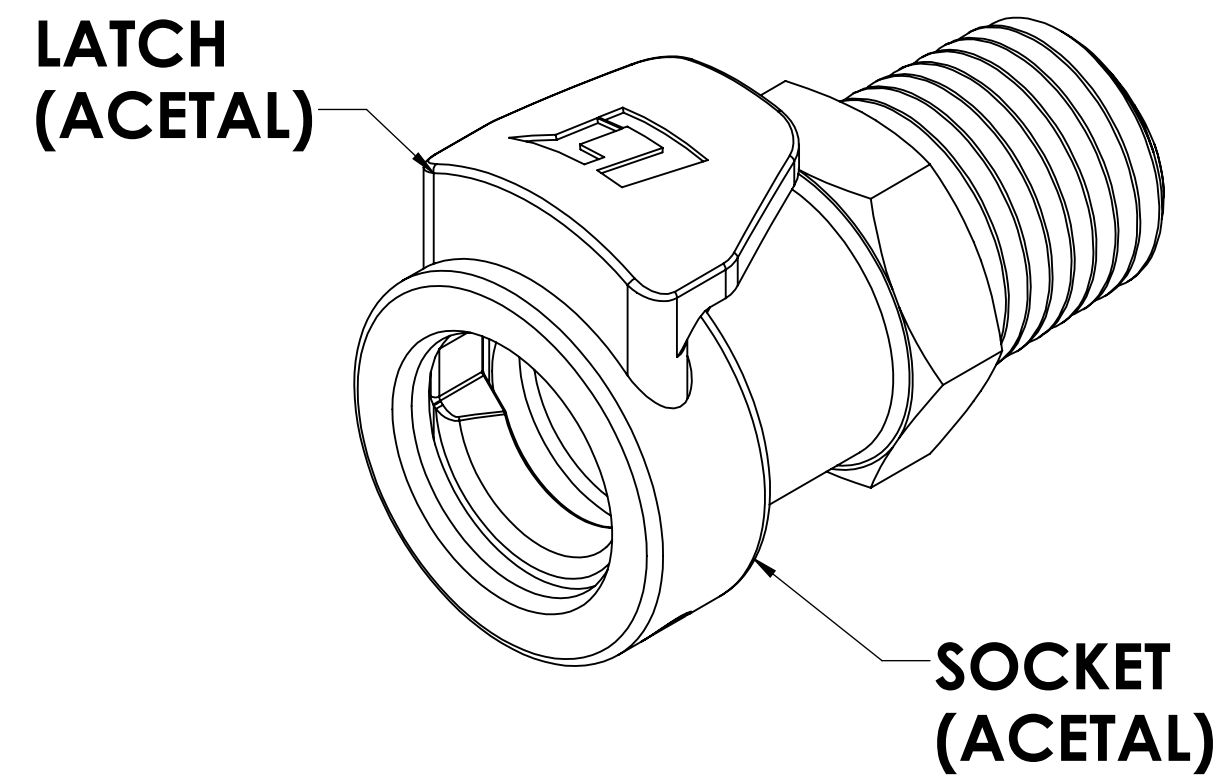



REVISIONS						
SHEET	ZONE	REV.	ECO	DESCRIPTION	DATE	APPROVED
1	ALL	A	50241	SUPPRESSED OLD ASSEMBLY, UPDATE DWG FORMAT AND NOTES	4/26/2017	HRC
ALL	ALL	B	50253	2017 FORMAT UPDATE	4/26/2018	HRC



- NOTES:**
- MATERIAL: ACETAL
 - COLOR: NATURAL WHITE

FOR REFERENCE ONLY

<small>UNLESS OTHERWISE SPECIFIED: DIMENSIONS ARE IN INCHES TOLERANCES: FRACTIONAL ± 1/32 ANGULAR, MACH ± 0.5 BEND ± 2 ONE PLACE DECIMAL ± 0.1 TWO PLACE DECIMAL ± 0.01 THREE PLACE DECIMAL ± 0.005 TWO PLACE DUAL (mm) [±0.12]</small>	DRAWN	CKE	4/19/17	 <small>LINKTECH ENGINEERING INC. - PUNKA, MO</small> PART NO: 50AC-S1-04 DESCRIPTION: LinkTech 50AC Series Male Thread Female, Non-Valved, 1/4" MNPT, Natural Acetal
	CHECKED	HRC	4/19/17	
	ENG APPR.	HRC	4/26/18	
	MFG APPR.	BDB	4/26/18	
PRODUCTION	RK	4/26/18	COMMENTS:	
<small>PROPRIETARY AND CONFIDENTIAL THE INFORMATION CONTAINED IN THIS DRAWING IS THE SOLE PROPERTY OF LINKTECH LLC. ANY REPRODUCTION OR DISCLOSURE IN PART OR AS A WHOLE WITHOUT THE WRITTEN PERMISSION OF LINKTECH LLC IS STRICTLY PROHIBITED.</small>				SIZE DWG. NO. REV C 50AC500241 B
SCALE: NTS		WEIGHT:		SHEET 1 OF 1