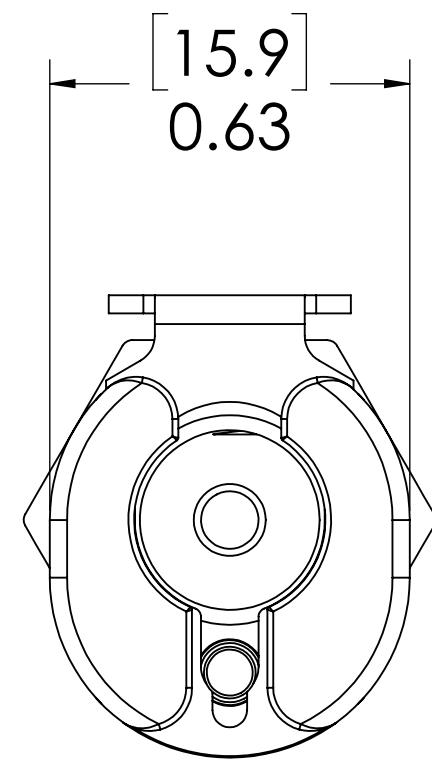
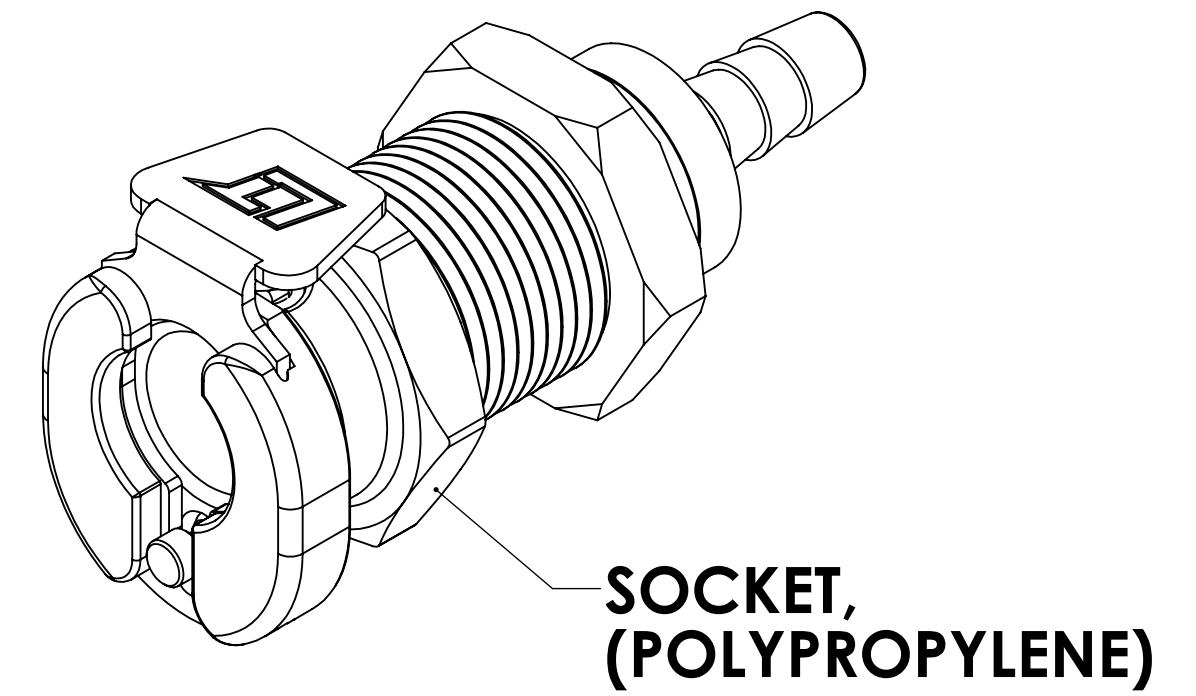
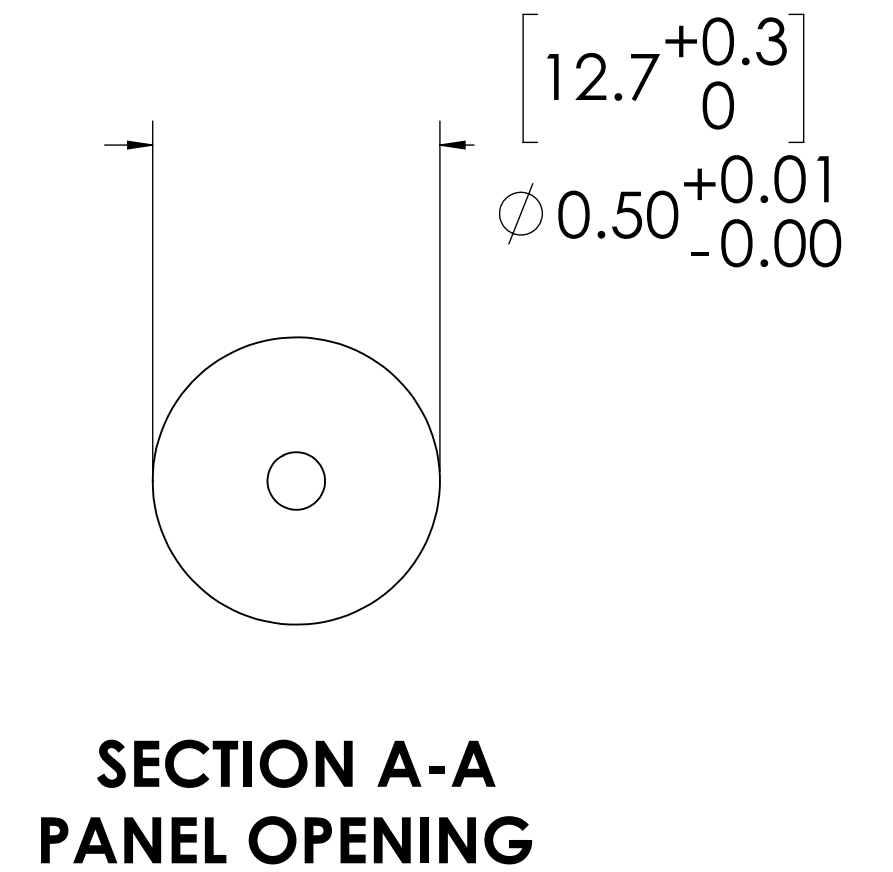
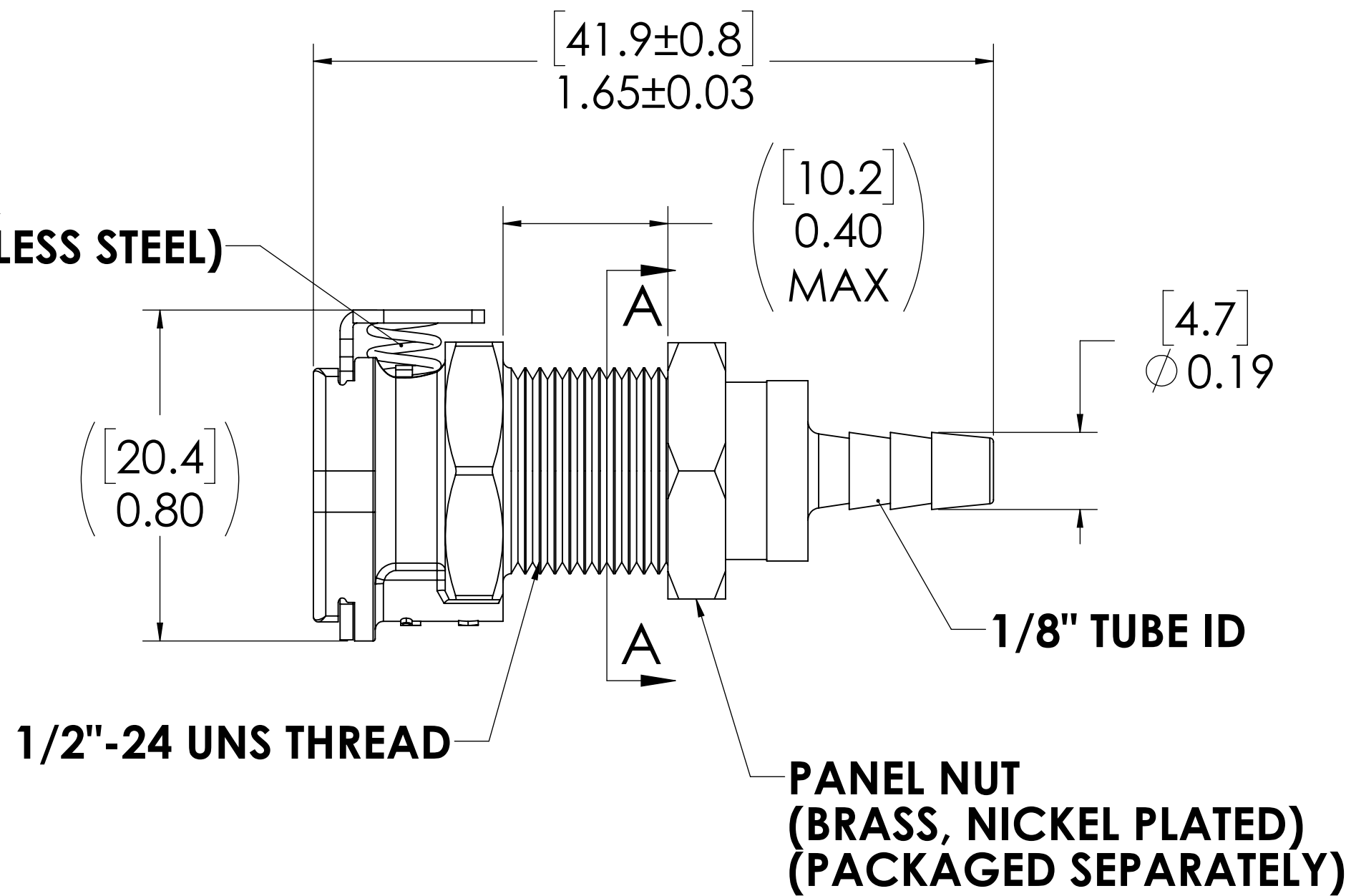


REVISIONS						
SHEET	ZONE	REV.	ECO	DESCRIPTION	DATE	APPROVED
1	ALL	A	50253	2017 FORMAT UPDATE	1/25/2019	HRC



**LATCH,
(STAINLESS STEEL)**



NOTES:

1. MATERIAL: POLYPROPYLENE
2. COLOR: ALMOND
3. O-RING MATERIAL: EPDM
4. O-RINGS LUBRICATED WITH FOOD GRADE SILICONE OIL, 350 CST.

FOR REFERENCE ONLY

<small>UNLESS OTHERWISE SPECIFIED: DIMENSIONS ARE IN INCHES TOLERANCES: FRACTIONAL ±1/32 ANGULAR, MACH ±0.5 BEND ±2 ONE PLACE DECIMAL ±0.1 TWO PLACE DECIMAL ±0.01 THREE PLACE DECIMAL ±0.005 TWO PLACE DUAL (mm) [±0.12]</small>	DRAWN	RDA	1/8/2018	
	CHECKED	HRC	1/8/2018	
	ENG APPR.	HRC	1/25/19	
	MFG APPR.	BDB	1/25/19	
PRODUCTION	LS	1/25/19		PART NO: 20PP-S3-02MALD DESCRIPTION: LinkTech 20PP Series Panel Mt. Female, Non-valved, 125 HB, Molded Almond Color, Polypr
<small>PROPRIETARY AND CONFIDENTIAL THE INFORMATION CONTAINED IN THIS DRAWING IS THE SOLE PROPERTY OF LINKTECH LLC. ANY REPRODUCTION OR DISCLOSURE IN PART OR AS A WHOLE WITHOUT THE WRITTEN PERMISSION OF LINKTECH LLC IS STRICTLY PROHIBITED.</small>	COMMENTS:			SIZE DWG. NO. REV C 20PP200212 A
SCALE: NTS		WEIGHT:	SHEET 1 OF 1	