



## Illustrated Parts Breakdown

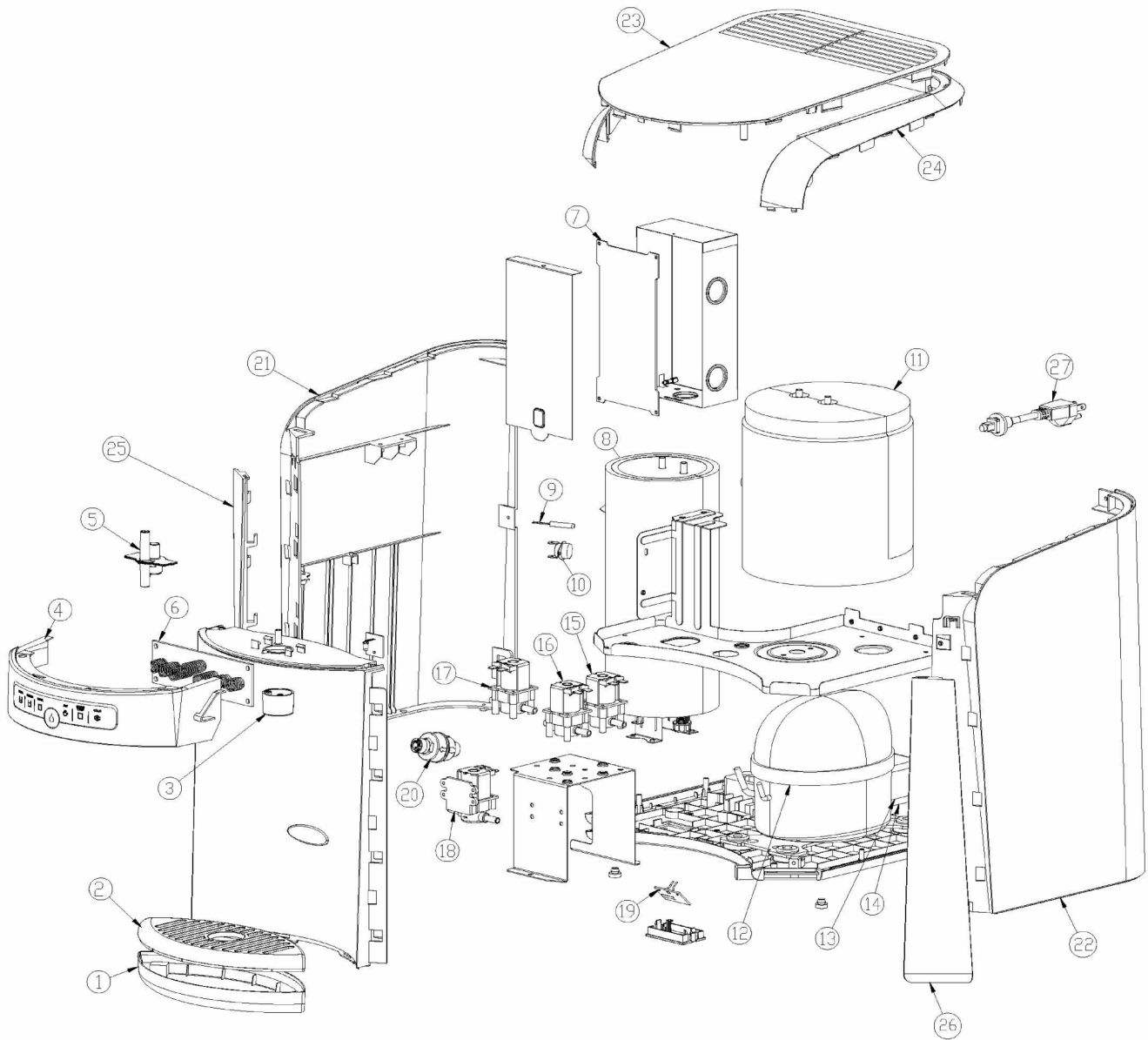


### Specifications:

#### **Model POU1ACTHSK**

Voltage	115VAC, $\pm 10\%$ , 1 PH, 60 Hz
Size	16-3/4" H, 12-3/4" W, 12.1/4" D
Shipping Weight	37 lbs.
Cold Water Capacity	1 GPH
Compressor	1/20 hp
Compressor (Full Load)	5.5 amps
Refrigerant	134a
Refrigerant Charge	1.0 oz.

# Aquarius Counter Top Parts Illustration & Listing



## Parts List

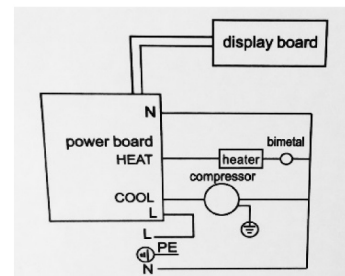
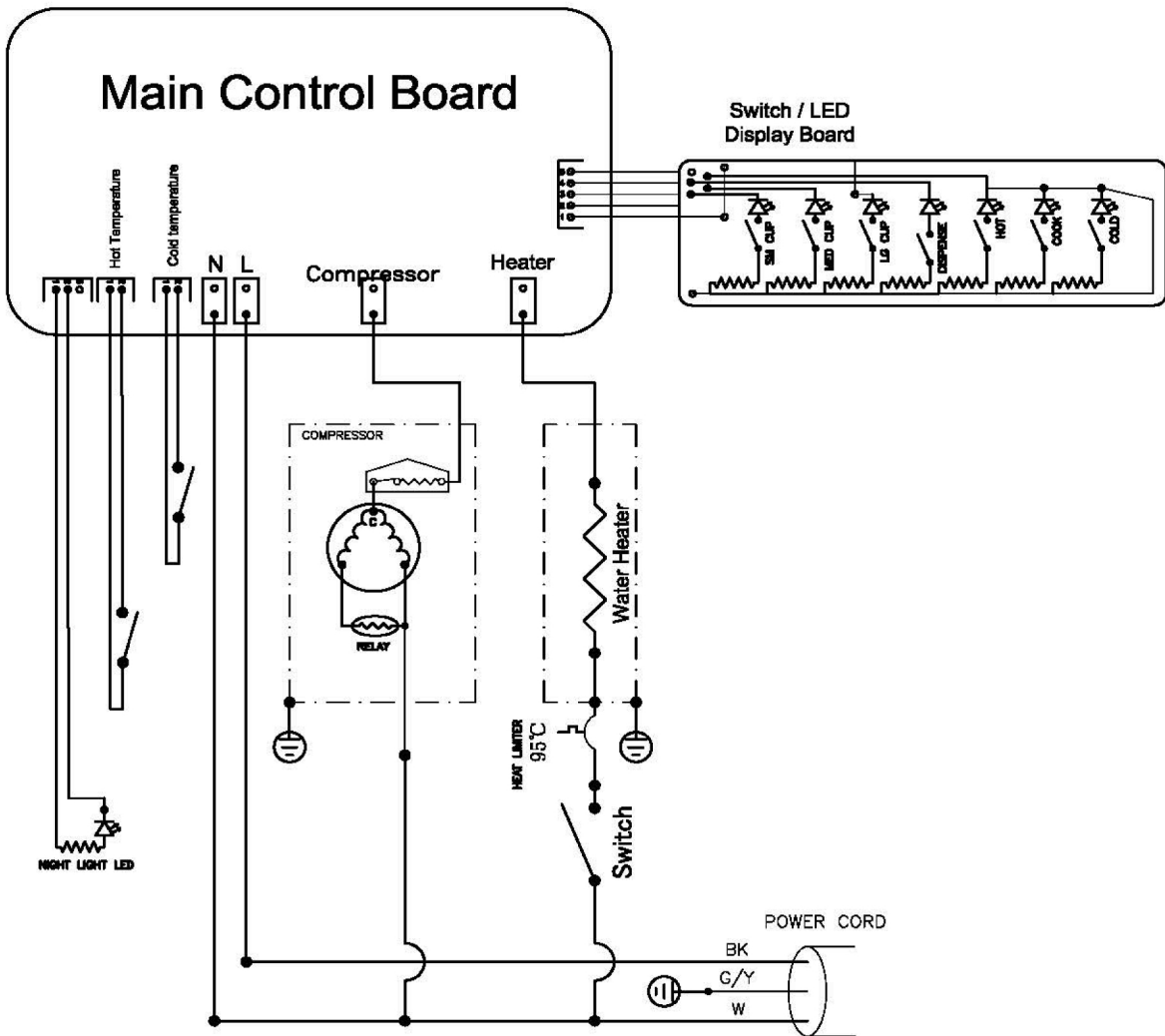
Item #	Description	POU1ACTHSK
1	Drip Tray	038946-001
2	Grille, Drip Tray	038947-001
3	Nozzle, Dispense	041002-001
4	Display Fascia	038949-001
5	Manifold, Dispense	041001-001
6	PCB, Control Display	038951-001
7	PCB, Main Control	038952-001
8	Hot Tank Assy	038953-001
9	Sensor, Hot Tank NTC	038954-001
10	Heat Limiter	038955-001
11	Cooling Tank Assy	038956-001
12	Compressor, Danfu 2.0	038145-001
13	Overload, Compressor	038146-001
14	Start Relay, Compressor	038147-001
15	Water Valve, Cold	038958-001
16	Water Valve, Room Temp	038958-002
17	Water Valve, Hot	038958-003
18	Water Valve, Main	038959-001
19	Safety Sensor, Water	038960-001
20	Regulator, Water Pressure	038962-001
21	Side Panel, Left	038964-001
22	Side Panel, Right	038965-001
23	Panel, Top	038966-001
24	Trim Bezel, Upper	038967-001
25	Trim Bezel, Left	038968-001
26	Trim Bezel, Right	038969-001
27	Power Cord	038901-001

Items not shown:

Switch, Hot Tank	038899-001
Water Inlet Fitting	038566-001
Drain Assy, Cold Tank Tank	038566-001
Drain Assy, Hot Tank	038902-001
In-Line Strainer	033264-002
Cold Tank Thermostat	038957-001

# Wiring Diagrams:

POU1ACTHISK-DU100



Unit Label

## OASIS International

222 East Campus View Blvd · Columbus, Ohio 43235 U.S.A.  
 1-800-64-OASIS (1-800-646-2747)  
[www.oasiscoolers.com](http://www.oasiscoolers.com)