

# VIQUA Arros™ 9, Arros 15, and Arros 22

## Ultraviolet Water Treatment Systems from VIQUA

### Designed by you. Engineered by VIQUA.

The quality of water changes over time and can become contaminated with microorganisms. VIQUA Arros™ is the premium residential UV system from VIQUA. Available in 9, 15, and 22 gpm, Arros systems are designed for a streamlined installation, giving you time for more.

### Reduced installation complexity

Innovative chamber design, mounted controller, and high-output UV lamp technology form a compact unit for a clean installation.

1. The Tidal™ chamber aligns the inlet and outlet ports on a single plane, saving time and material.
2. PolyProtect™ shield blocks UV light so the Arros UV can plumb directly to PEX and other polymer materials.
3. System mounting is simplified with an elongated steel bracket.

### Minimized maintenance hassle

4. The all-in-one design of the VIQUA Arros lamp unit is easier to handle.
5. Threaded plug enables quick, clean draining.
6. Easy-to-navigate LCD touchscreen identifies replacement parts and dealer contact information.

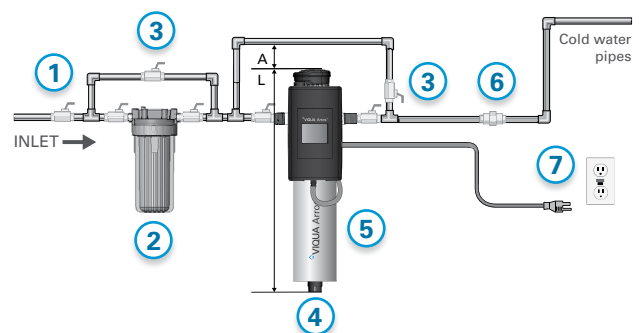
### Optimized treatment performance

Stream™ technology enables more accurate in-lamp usage measurement.



### Streamlined installation saves time and material

- |                                   |  |
|-----------------------------------|--|
| 1. Main water shut-off            | 5. UV system                                       |
| 2. Filter cartridge (recommended) | 6. Optional flow restrictor                        |
| 3. Optional by-pass assembly      | 7. Customer-supplied GFCI circuit to match voltage |
| 4. Drain plug                     |  |



**Notes:** By-pass pipe should be at least 6 inches above UV unit and as close to the wall as possible to ensure lamp unit can be removed.

UV system should be the final piece of treatment equipment.

## Specifications

The VIQUA Arros has been validated through microbial testing. Through this testing, performance data has been generated for UV dose delivery to inactivate *cryptosporidium*, *giardia*, *Escherichia coli* (*E. coli*), and *fecal coliform*.



	Arros 9	Arros 15	Arros 22
<b>Flow rates* (@ 95% UVT)</b>			
U.S. Public Health 16 mJ/cm <sup>2</sup>	17 gpm (64.3 lpm); 3.86 m <sup>3</sup> /hr	29 gpm (109.8 lpm); 6.59 m <sup>3</sup> /hr	42 gpm (159 lpm); 9.54 m <sup>3</sup> /hr
VIQUA Standard 30 mJ/cm <sup>2</sup>	9 gpm (34.1 lpm); 2.0 m <sup>3</sup> /hr	15 gpm (56.8 lpm); 3.41 m <sup>3</sup> /hr	22 gpm (83.3 lpm); 5.0 m <sup>3</sup> /hr
NSF/EPA 40 mJ/cm <sup>2</sup>	7 gpm (26.5 lpm); 1.59 m <sup>3</sup> /hr	12 gpm (45.4 lpm); 2.73 m <sup>3</sup> /hr	16 gpm (60.6 lpm); 3.63 m <sup>3</sup> /hr
<b>Dimensions</b>			
Chamber	11.2 in. x 4.0 in. (28.4 cm x 10.16 cm)	16.5 in. x 4.0 in. (42.0 cm x 10.16 cm)	22.5 in. x 4.0 in. (57.2 cm x 10.16 cm)
Controller	10.5 in. x 5.0 in. x 6.5 in. (26.67 cm x 12.7 cm x 16.51 cm)		
Inlet and outlet port size	Combo: 1 in. MNPT, 3/4 in. FNPT		
Shipping weight	12 lbs (5.44 kg)	15 lbs (6.8 kg)	18 lbs (8.16 kg)
<b>Electrical</b>			
Voltage	100–240V (50/60 Hz)		
Max current	1.5 A		
Power consumption	33W	46W	60W
Lamp watts	25W	38W	52W
Maximum operating pressure	125 psi (8.62 bar)		
Ambient water temperature	2–40°C (36–104°F)		
<b>Features</b>			
Lamp type	High output	High output	High output
Display	LCD touchscreen	LCD touchscreen	LCD touchscreen
Lamp unit replacement reminder	Y	Y	Y
Visual lamp life	Y	Y	Y
True lamp running time	Y	Y	Y
System total running time	Y	Y	Y
Chamber material	304 stainless steel	304 stainless steel	304 stainless steel

\* Flow rates based on end of lamp life.

### Replacement parts†

VA099LU: UV lamp for Arros 9	411111-R: drain plug for all Arros systems
VA15LU: UV lamp for Arros 15	411173-R: lamp head O-ring for all Arros systems
VA22LU: UV lamp for Arros 22	41138-R: drain plug O-ring for all Arros systems
VA-CTRL: controller for all Arros systems	

### Water quality parameters

<b>Hardness</b>	<b>Iron</b>	<b>Tannins</b>
< 7 grains (120 mg/L)	< 0.3 mg/L	< 0.1 mg/L

† Only VIQUA components ensure full functioning of the Arros™ UV system. Failure to use a VIQUA lamp will result in an ongoing fault mode and impair accurate lamp-life tracking. For a complete list of replacement parts, reference the system's instruction manual or visit VIQUA.com.

To learn more about the VIQUA Arros family and the efficacy of its UV treatment systems, visit [VIQUA.com](https://www.viqua.com)