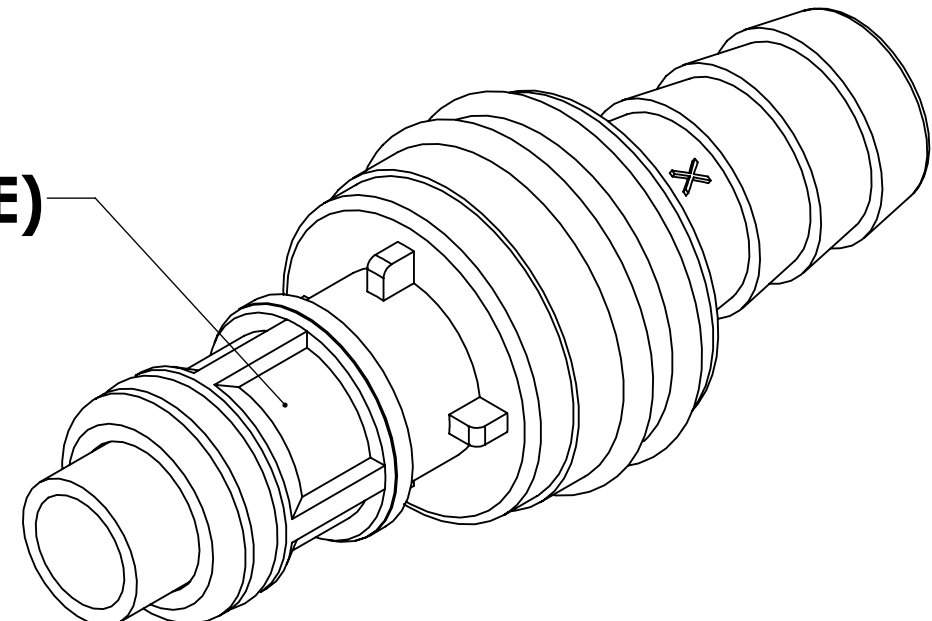
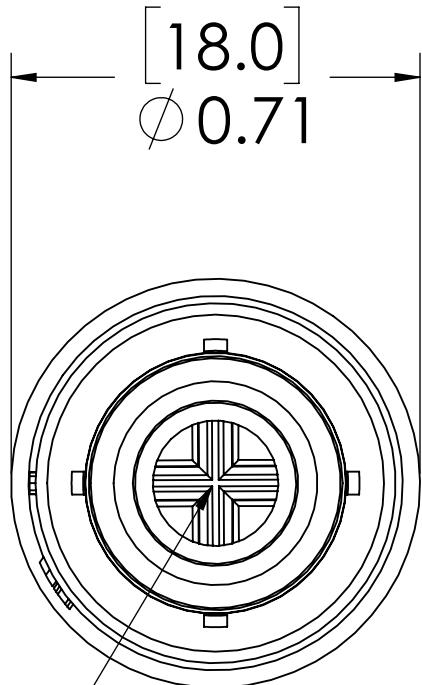


REVISIONS						
SHEET	ZONE	REV.	ECO	DESCRIPTION	DATE	APPROVED
1	ALL	NC	50067	INITIAL RELEASE	1/27/2014	HRC
1	ALL	A	50253	UPDATE DWG TO CURRENT FORMAT & STANDARDS	10/23/2018	HRC

**PLUG  
(POLYPROPYLENE)**



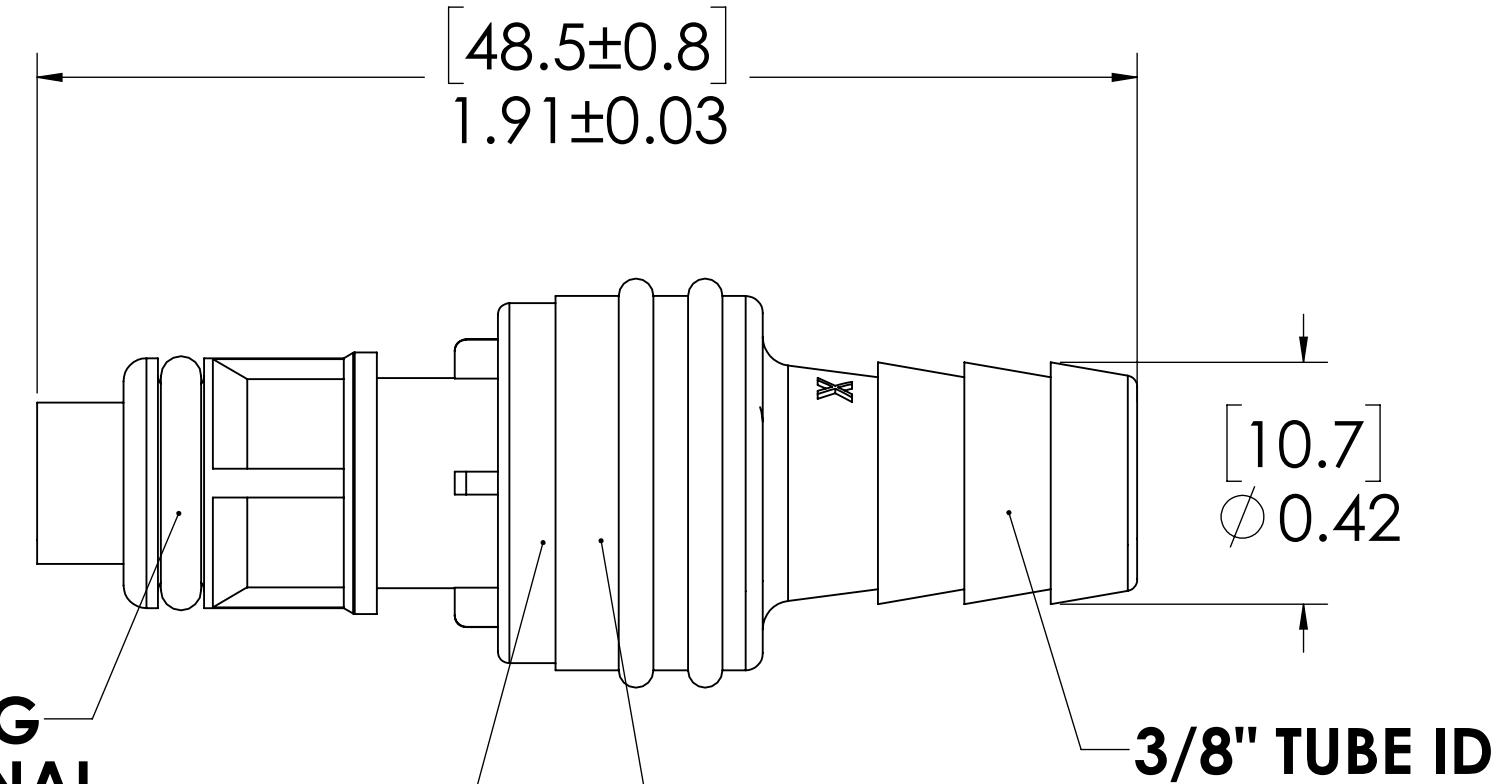
**VALVE  
(POLYPROPYLENE)**



**O-RING  
EXTERNAL  
(EPDM)**


**VALVE O-RING  
INTERNAL  
(EPDM)**

**VALVE SPRING  
INTERNAL  
(STAINLESS STEEL)**



- NOTES:**
- MATERIAL: POLYPROPYLENE
  - COLOR: GRAY
  - O-RING MATERIAL: EPDM
  - O-RINGS LUBRICATED WITH FOOD GRADE SILICONE OIL, 350 CST.

**FOR REFERENCE ONLY**

<small>UNLESS OTHERWISE SPECIFIED:          DIMENSIONS ARE IN INCHES          TOLERANCES:          FRACTIONAL ± 1/32          ANGULAR, MACH ± 0.5 BEND ± 2          ONE PLACE DECIMAL ± 0.1          TWO PLACE DECIMAL ± 0.01          THREE PLACE DECIMAL ± 0.005          TWO PLACE DUAL (mm) ± 0.12</small>	DRAWN	LMP	4/16/2018	 <b>PART NO: 50PPV-PE2-06</b> DESCRIPTION: <b>LinkTech 50PP Series Inline Plug Male, Valved, 3/8" HB, Polypropylene</b>
	CHECKED	HRC	10/23/18	
	ENG APPR.	HRC	10/23/18	
	MFG APPR.	BDB	10/23/18	
PRODUCTION	LS	10/23/18		SIZE DWG. NO. REV <b>C 50PP500038 A</b>
<small>PROPRIETARY AND CONFIDENTIAL          THE INFORMATION CONTAINED IN THIS DRAWING IS THE SOLE PROPERTY OF LINKTECH LLC. ANY REPRODUCTION OR DISCLOSURE IN PART OR AS A WHOLE WITHOUT THE WRITTEN PERMISSION OF LINKTECH LLC IS STRICTLY PROHIBITED.</small>				SCALE: NTS WEIGHT: SHEET 1 OF 1