

Claris XXL Filter Cartridge

Adjustable ion-selective filter allows for tailored carbonate hardness levels for meeting desired water specifications



APPLICATIONS

Coffee, tea and espresso machines

Steam cookers and ovens

Hot drink vending machines

Brewed iced tea

Combi steamers and self-cooking systems

BENEFITS

Five - stage filtration process

- Prefiltration
- Carbonate hardness adjustment
- Fine filtration
- Highly efficient carbon block removes harmful contaminants and unpleasant odors and tastes
- Solid membrane filter removes particles down to 5 microns for highest equipment protection

Operation in vertical or horizontal position.

NSF Certified under NSF/ANSI Standard 42.

OPERATIONAL TIPS

Change Claris cartridge when its pre-calculated water volume has been reached or at least once a year.

Change cartridges when capacity is reached.

Always flush the filter cartridge at time of installation and cartridge change.

Do not use hardness test strips to check for hardness reduction. Please use Titration kit (EV4339-40) to check for hardness reduction.

Everpure Claris water treatment systems are covered by a limited warranty against defects in material and workmanship for a period of one year after date of purchase. Everpure replaceable elements (filter cartridges and water treatment cartridges) are covered by a limited warranty against defects in material and workmanship for a period of one year after date of purchase. See printed warranty for details. Everpure will provide a copy of the warranty upon request.



Claris XXL Filter Cartridge: EV4339-14

SPECIFICATIONS

Overall Dimensions:	18.56" H x 6.89" D (47.1 x 17.5 cm)
Service Flow Rate:	1.0 gpm (3.7 Lpm)
Treatment Capacity:	2910 gallons (11000 L) for espresso* 3490 gallons (13200 L) for OCS/Coffee* 1740 gallons (6600 L) for Steam* (direct injection) 2180 gallons (8250 L) for Steam* (boiler based)
Pressure Requirements:	29 - 116 psi (2 - 8 bar), non-shock
Temperature:	39° - 86°F (4° - 30°C)
Electrical Connection:	None required

*This capacity is based on influent water hardness of 180 ppm with standard bypass settings. For steam applications and other hardness levels consult installation and operations guide capacity and bypass settings charts.

Claris XXL Filter Cartridge

EV4339-14

INSTALLATION TIPS

The system can be operated freestanding horizontally or vertically.

Water pressure at the filter system inlet must not exceed 116 psi (8 bar). A pressure reducer valve must be installed on the water supply side of the filter system if the inlet pressure exceeds 116 psi (8 bar).

Shut off valve must be installed upstream of the filter.

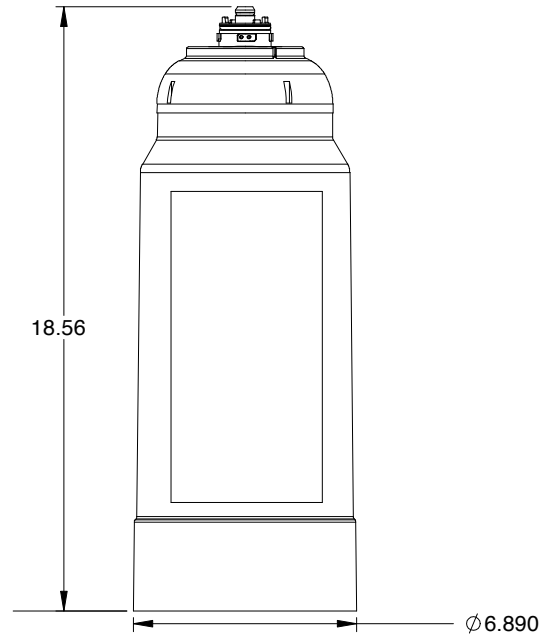
Refer to Installation, Operation & Maintenance Manual for cartridge flushing and start-up.

EV433921 Claris Head, 3/8" BSP

EV433923 Claris Head, 3/8" QFC

EV433925 Claris Head, 1/4" QFC

The contaminants or other substances removed or reduced by this drinking water system are not necessarily in your water. Do not use with water that is microbiologically unsafe or of unknown quality without adequate disinfection before or after the system. Systems certified for cyst reduction may be used with disinfected water that may contain filterable cysts.



System Tested and Certified by NSF International against NSF/ANSI Standard 42 and 53 for the reduction of:

Std. No. 42 – Aesthetic effects
Taste & Odor Reduction
Chlorine Reduction

Everpure reserves the right to update specifications, change prices, or make substitutions without notice.

EV4339-14 Claris XXL JA11



Visit our website at www.everpure.com

Pentair Filtration Solutions, LLC
World Headquarters-Everpure/SHURflo

North and South America Sales
1040 Muirfield Dr.

Hanover Park, Illinois 60133
USA

TEL: 800.942.1153 (US only)
TEL: 630.307.3000

FAX: 630.307.3030

EMAIL: cseverpure@pentair.com

Everpure-SHURflo Australia
2 Redwood Drive

Notting Hill
Victoria, 3168

AUSTRALIA
TEL: 011.61.39.574.4000

FAX: 011.61.39.562.7237

EMAIL: au.everpure@pentair.com

Everpure-SHURflo Southeast Asia
18 Boon Lay Way
#04-110/111

TradeHub 21, 609966
SINGAPORE

TEL: 65.6795.2213

FAX: 65.6795.2219

EMAIL: cseverpure@pentair.com

Everpure-SHURflo Europe
Pentair Water Belgium bvba

Industriepark Wolfstee
Toekomstlaan

30 B-2200 Herentals, BELGIUM
TEL: +32.(0).14.283.500

FAX: +32.(0).14.283.505

EMAIL: sales@everpure-europe.com

Everpure-SHURflo India
Green Boulevard, B-9/A, 7th Floor -
Tower B Sector 62, Noida - 201301

TEL: 91.120.419.9444

FAX: 91.120.419.9400

EMAIL: indiacustomer@pentair.com

Everpure-SHURflo Japan Inc.
Hashimoto MN Bldg. 7F
3-25-1 Hashimoto, Midori-ku

Sagamihara-Shi Kanagawa 252-0143
JAPAN

TEL: 81.(0)42.775.3011
FAX: 81.(0)42.775.3015

EMAIL: info@everpure.co.jp

Everpure-SHURflo China
21F Cloud 9 Plaza, No 1118,
Shanghai, 200052

CHINA

TEL: 86.21.3211.4588
FAX: 86.21.3211.4580

EMAIL: China.Water@Pentair.com