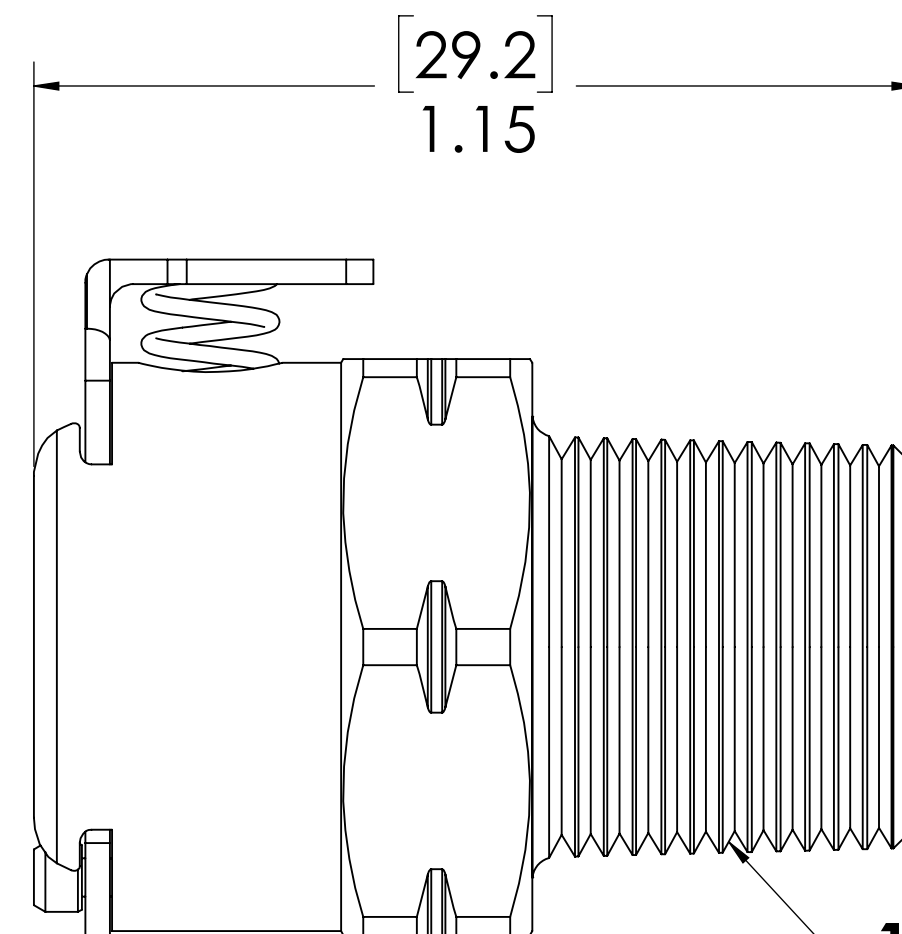
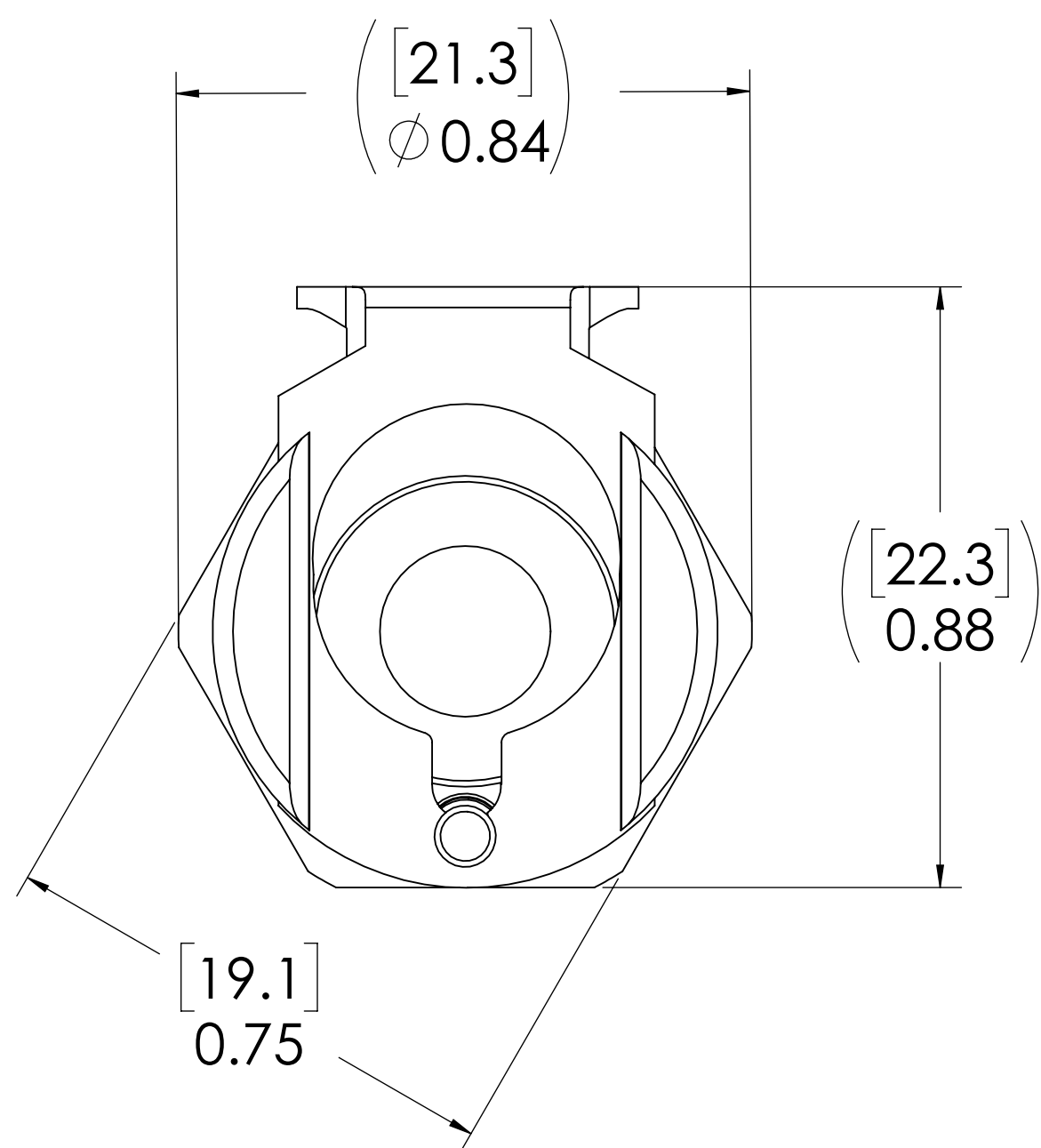
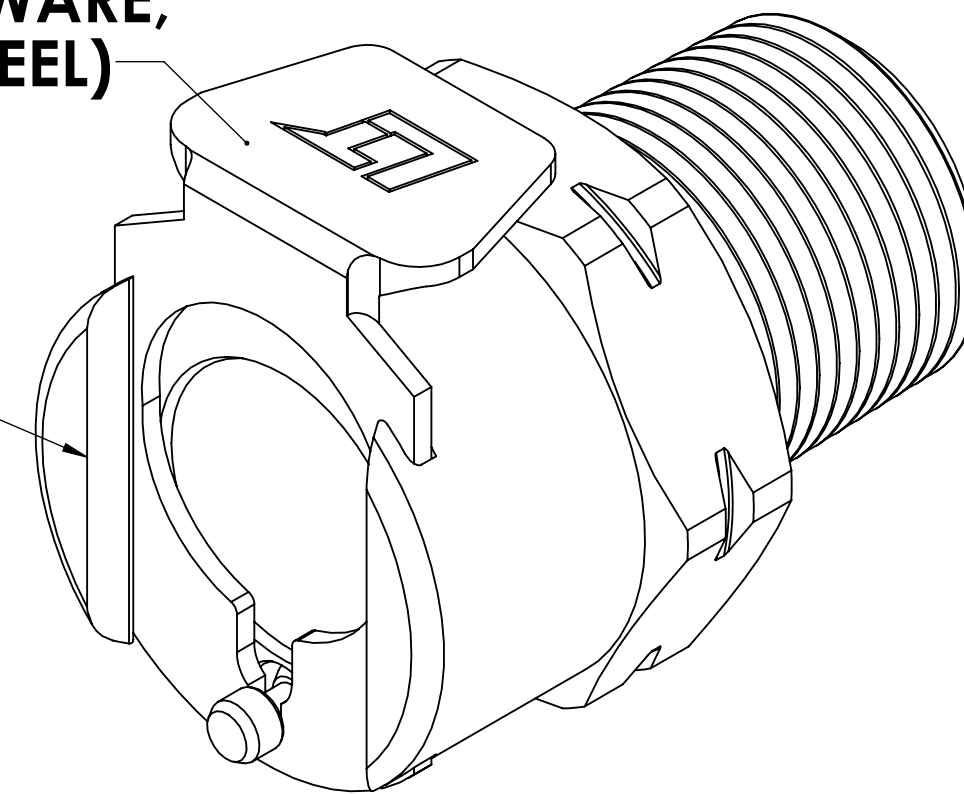


REVISIONS						
SHEET	ZONE	REV.	ECO	DESCRIPTION	DATE	APPROVED
1	ALL	A	50242	INITIAL RELEASE	10/18/2018	HRC

**LATCH HARDWARE,
(STAINLESS STEEL)**

**SOCKET,
(BRASS, NICKEL AND
CHROME PLATED)**



**1/4" BSPT
(PIPE THREAD)**

FOR REFERENCE ONLY

- NOTES:**
- MATERIAL: BRASS
 - FINISH: CHROME

<small>UNLESS OTHERWISE SPECIFIED: DIMENSIONS ARE IN INCHES TOLERANCES: FRACTIONAL ± 1/32 ANGULAR, MACH ± 0.5 BEND ± 2 ONE PLACE DECIMAL ± 0.1 TWO PLACE DECIMAL ± 0.01 THREE PLACE DECIMAL ± 0.005 TWO PLACE DUAL (mm) [± 0.12]</small>	DRAWN	CGS	2/7/18	
	CHECKED	HRC	2/7/18	
	ENG APPR.	HRC	10/18/18	
	MFG APPR.	BDB	10/18/18	
PRODUCTION	LS	10/18/18		PART NO: 40CB-S1-04BSPT DESCRIPTION: LinkTech 40CB Series Male Thread Female, Non-valved, 1/4" BSPT, Chrome Brass
<small>PROPRIETARY AND CONFIDENTIAL THE INFORMATION CONTAINED IN THIS DRAWING IS THE SOLE PROPERTY OF LINKTECH LLC. ANY REPRODUCTION OR DISCLOSURE IN PART OR AS A WHOLE WITHOUT THE WRITTEN PERMISSION OF LINKTECH LLC IS STRICTLY PROHIBITED.</small>	COMMENTS:			SIZE DWG. NO. REV C 40CB400241 A
	SCALE: NTS		WEIGHT:	SHEET 1 OF 1