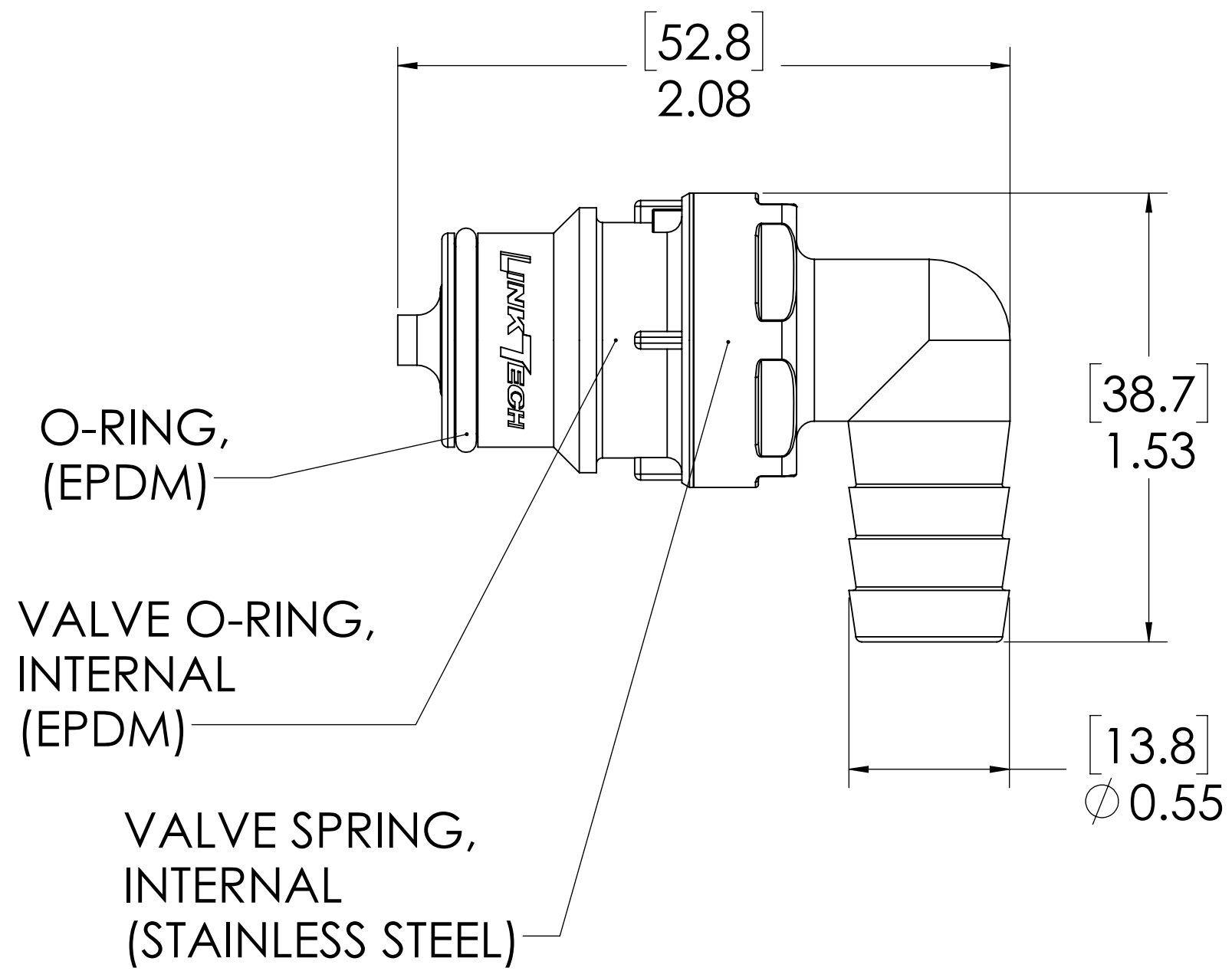
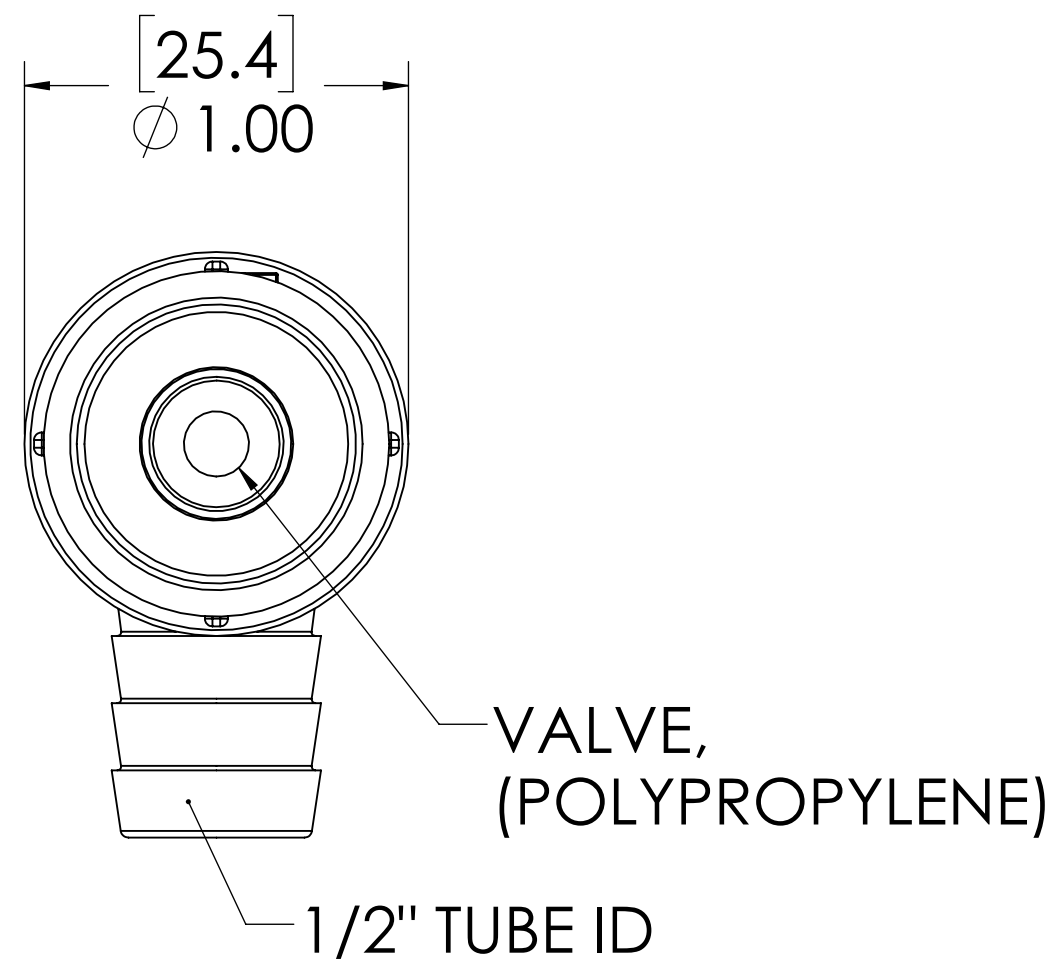
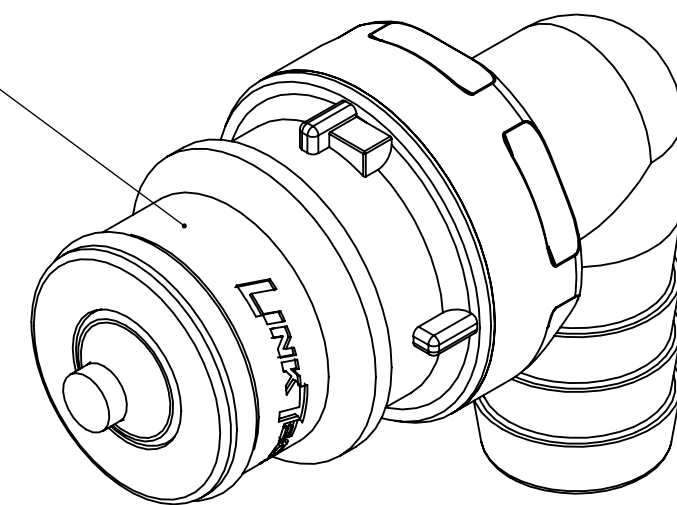


REVISIONS						
SHEET	ZONE	REV.	ECO	DESCRIPTION	DATE	APPROVED
1	A-8	A	.....	ADDED O-RING LUBRICATION NOTE	6/20/2014	HRC
1	ALL	A	50093	INITIAL RELEASE	9/10/2014	HRC
1	ALL	B	50257	O-RING AND DWG FORMAT UPDATE	3/5/2018	HRC

PLUG,  
(POLYPROPYLENE)



- NOTES:**
- MATERIAL: POLYPROPYLENE
  - COLOR: GREY
  - O-RING MATERIAL: EPDM
  - O-RINGS LUBRICATED WITH FOOD GRADE SILICONE OIL, 350 CST.

**FOR REFERENCE ONLY**

<small>UNLESS OTHERWISE SPECIFIED:          DIMENSIONS ARE IN INCHES          TOLERANCES:          FRACTIONAL ± 1/32          ANGULAR: MACH ± 0.5 BEND ± 2          ONE PLACE DECIMAL ± 0.1          TWO PLACE DECIMAL ± 0.01          THREE PLACE DECIMAL ± 0.005          TWO PLACE DUAL (mm) [± 0.12]</small>	DRAWN	HRC	8/26/13	
	CHECKED	HRC	8/26/13	
	ENG APPR.	HRC	3/5/2018	
	MFG APPR.	BDB	3/5/2018	
<small>PROPRIETARY AND CONFIDENTIAL</small>	Q.A.	JJB	3/5/2018	PART NO: 60PPV-PE4-08 DESCRIPTION: LinkTech 60PP Series Elbow Male, Valved 1/2" HB, Polypropylene
<small>THE INFORMATION CONTAINED IN THIS DRAWING IS THE SOLE PROPERTY OF LINKTECH LLC. ANY REPRODUCTION OR DISCLOSURE IN PART OR AS A WHOLE WITHOUT THE WRITTEN PERMISSION OF LINKTECH LLC IS STRICTLY PROHIBITED.</small>	COMMENTS:			SIZE DWG. NO. REV <b>C</b> 60PP600071 <b>B</b>
	SCALE: NTS	WEIGHT:		SHEET 1 OF 1