

FSC

Watts Marine Full Flow Flanged Seacocks

UL Marine approved and produced from 85-5-5-5 Naval Bronze. Triangular flanged, machined smooth for flush fit hull mounting. Full flow design assures no restriction of flow. These valves feature a heavy-duty stainless steel handle and hardware for the best corrosion resistance. All valves are pressure rated to 600psi and incorporate PTFE stem packing seals, seats and are 100% tested in both the open and closed position.



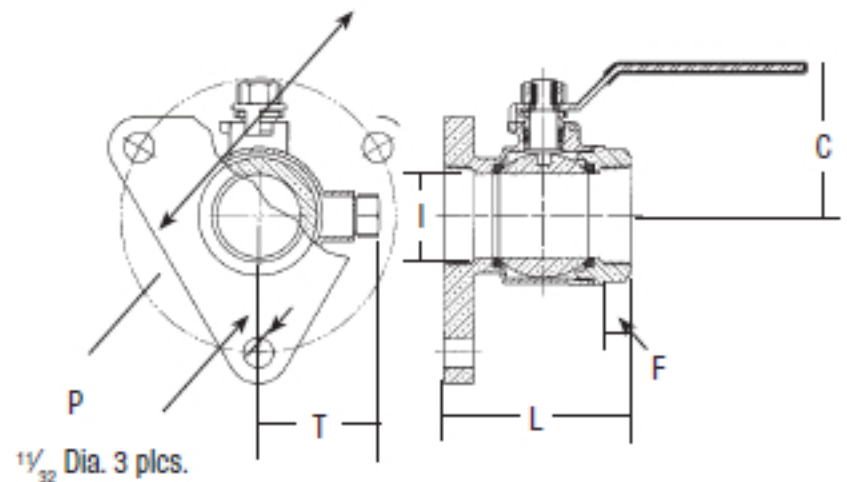
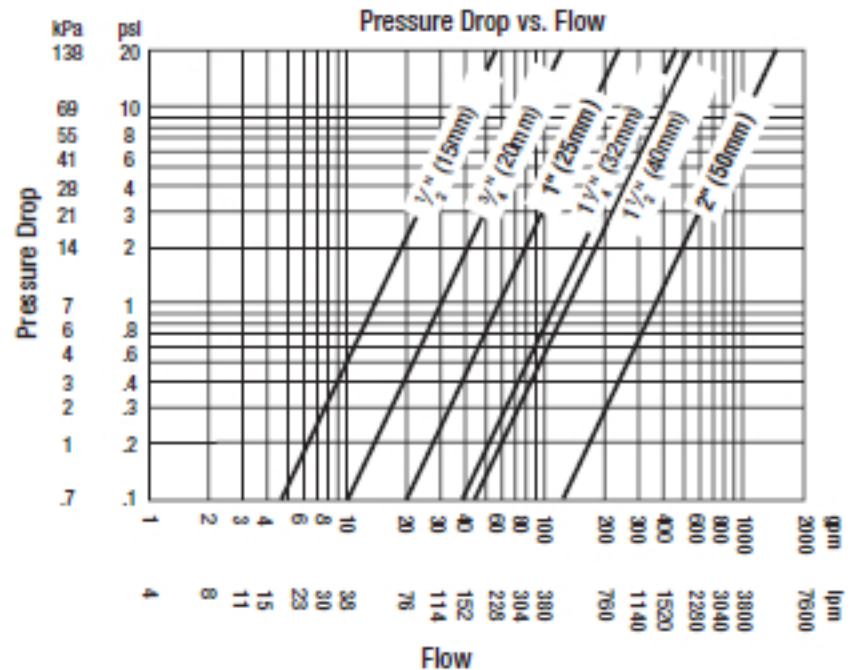
Features:

- Underwriters Laboratories Listed
- 85-5-5-5 Naval Bronze Body
- Stainless Steel handle and nut
- Full size ports
- Drain plug for winterization
- Grounding screw
- PTFE stem packing seal and seats
- Vinyl insulator on handles
- Blow out proof pressure retaining stem
- Fast quarter-turn (open or close) operation
- Low operating torque
- Adjustable stem packing gland
- Available in sizes 3/4" - 2" (20-50mm)
- No lubrication required
- Small space savings design

Part No.	Model	Size	Qty. Per Carton	Wt. Per Carton (lbs.)
0723310	FSC	3/4"	24	29
0723311	FSC	1"	16	30
0723312	FSC	1 1/4"	8	20
0723313	FSC	1 1/2"	8	32
0723314	FSC	2"	8	52

Note: To Order Items Individually Tagged With a Barcode, Indicate this with a "02" In Front of the Part Number.

Pressure Drop vs. Flow



Dimensions - Weights approximate

Order		Size (DN)		C		E		F		I		L		P		T		Weight	
Part No.	Model	in	mm	in	mm	in	mm	in	mm	in	mm	in	mm	in	mm	in	mm	lbs.	kg.
0723310	FSC	3/4	20	2	51	3 13/16	97	9/16	14	3/4	19	2 3/8	60	1 9/16	40	1 1/16	27	1.3	.59
0723311	FSC	1	25	2 1/4	56	4 5/8	117	11/16	17	15/16	25	2 15/16	74	1 11/16	43	1 1/4	32	2.1	.95
0723312	FSC	1 1/4	32	2 3/8	61	4 5/8	117	3/4	19	1 1/4	31	3 3/16	82	1 13/16	46	1 7/16	37	2.8	1.27
0723313	FSC	1 1/2	40	3 1/8	80	6 5/16	160	3/4	19	1 1/2	38	3 5/8	91	2 1/4	57	1 5/8	41	4.4	2.00
0723314	FSC	2	50	3 11/16	93	6 5/16	160	13/16	20	2	50	4 3/16	107	2 1/2	64	2	50	6.2	2.81