

Stem Adaptor (BSP Thread)

Allows for the connection of 2 John Guest fittings to create a swivel type connection

Overview

John Guest stem adaptor (BSP thread) push-fit fitting adapts a push-fit connection to a swivel type connection. Fast and simple to install, John Guest Air and Pneumatics creates an instant connection and airtight seal without the need for tools, hot works or sealing agents. Air piping systems can be set up and installed 50% quicker than traditional methods.

The unique collet locking design firmly and securely holds the pipe in place without deforming the pipe or restricting flow. Fittings are also fully demountable, reducing system downtime during maintenance and making it quick and easy to modify or extend systems.

Designed in tough engineered plastic, fittings are compatible with John Guest nylon, powder coated aluminium or LLDPE tubing, as well as copper, PEXa and other soft metal pipe materials. All John Guest fittings are manufactured and assembled in the UK.



Features & Benefits

- Strong acetal copolymer fitting with nitrile O-Ring
- Airtight connection with superior flow characteristics
- Instant push-fit connection and demountable without tools
- Secure collet cover prevents accidental disconnection
- Suitable for air and pneumatics piping systems up to 10 bar
- Ideal for air, inert gases and vacuum applications
- Food grade fitting suitable for potable liquids
- Compatible with soft metal or plastic pipe/tubing

Product code	Description	Size	Bag QTY
PMO50411E	Stem Adaptor (BSP Thread)	4mm x 1/8"	10
PMO50412E	Stem Adaptor (BSP Thread)	4mm x 1/4"	10
PMO50511E	Stem Adaptor (BSP Thread)	5mm x 1/8"	10
PMO50512E	Stem Adaptor (BSP Thread)	5mm x 1/4"	10
PMO50611E	Stem Adaptor (BSP Thread)	6mm x 1/8"	10
PMO50612E	Stem Adaptor (BSP Thread)	6mm x 1/4"	10
PMO50811E	Stem Adaptor (BSP Thread)	8mm x 1/8"	10
PMO50812E	Stem Adaptor (BSP Thread)	8mm x 1/4"	10
PMO50813E	Stem Adaptor (BSP Thread)	8mm x 3/8"	10
PMO51012E	Stem Adaptor (BSP Thread)	10mm x 1/4"	10
PMO51013E	Stem Adaptor (BSP Thread)	10mm x 3/8"	10
PMO51014E	Stem Adaptor (BSP Thread)	10mm x 1/2"	10
PMO51213E	Stem Adaptor (BSP Thread)	12mm x 3/8"	10
PMO51214E	Stem Adaptor (BSP Thread)	12mm x 1/2"	10



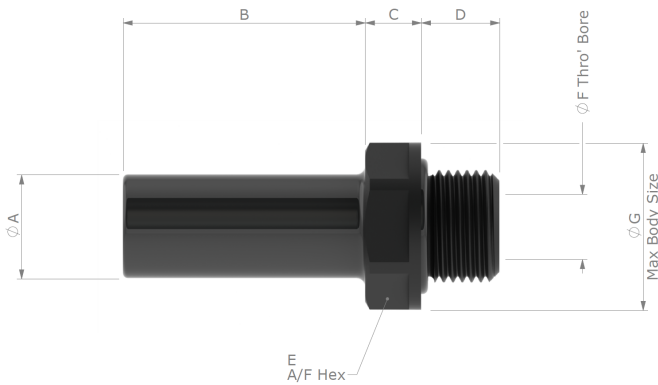
Stem Adaptor (BSP Thread)

Working parameters & specifications

Application	Maximum working pressure, bar
Air	16 Bar

Materials	
Body	Plastic
O-Ring	Nitrile, Black
Collet	Acetal Copolymer (Unfilled), Black
Collet Teeth	Stainless Steel 301

Dimensions – All measurements in mm unless otherwise stated



Product No.	Size	A Stem O/D	B	C	D	E	F	G
PM050411E	4mm x 1/8 BSP	4.0	12.3	7.9	5.5	14.0	2.5	15.4
PM050412E	4mm x 1/4 BSP			8.4	8.0	17.0	2.5	18.3
PM050511E	5mm x 1/8 BSP	5.0	12.3	7.9	5.5	14.0	3.4	15.4
PM050512E	5mm x 1/4 BSP			8.4	8.0	17.0	3.4	18.3
PM050611E	6mm x 1/8 BSP	6.0	13.8	7.9	5.5	15.0	4.1	15.8
PM050612E	6mm x 1/4 BSP			8.4	8.0	17.0	4.1	18.3
PM050811E	8mm x 1/8 BSP	8.0	15.0	7.9	5.5	17.0	4.1	17.8
PM050812E	8mm x 1/4 BSP			8.4	8.0	17.0	5.6	18.3
PM050813E	8mm x 3/8 BSP			8.1	9.3	22.0	5.6	24.1
PM051012E	10mm x 1/4 BSP	10.0	17.8	8.4	8.0	20.0	7.1	21.8
PM051013E	10mm x 3/8 BSP			8.1	9.3	22.0	7.0	24.1
PM051014E	10mm x 1/2 BSP			8.4	12.5	27.0	7.1	29.8
PM051213E	12mm x 3/8 BSP	12.0	22.4	8.1	9.3	24.0	8.6	26.4
PM051214E	12mm x 1/2 BSP			8.4	12.5	27.0	8.6	29.8
PM051513E	15mm x 3/8 BSP	15.0	35.0	8.1	11.3	22.0	9.4	24.1
PM051514E	15mm x 1/2 BSP			8.4	14.5	27.0	10.0	29.8
PM051814E	18mm x 1/2 BSP	18.0	40.0	8.4	14.5	27.0	11.7	29.8
PM052214E	22mm x 1/2 BSP	22.0	42.0	8.4	14.5	27.0	12.1	29.8
PM052216E	22mm x 3/4 BSP			10.0	17.0	37.0	17.0	40.0