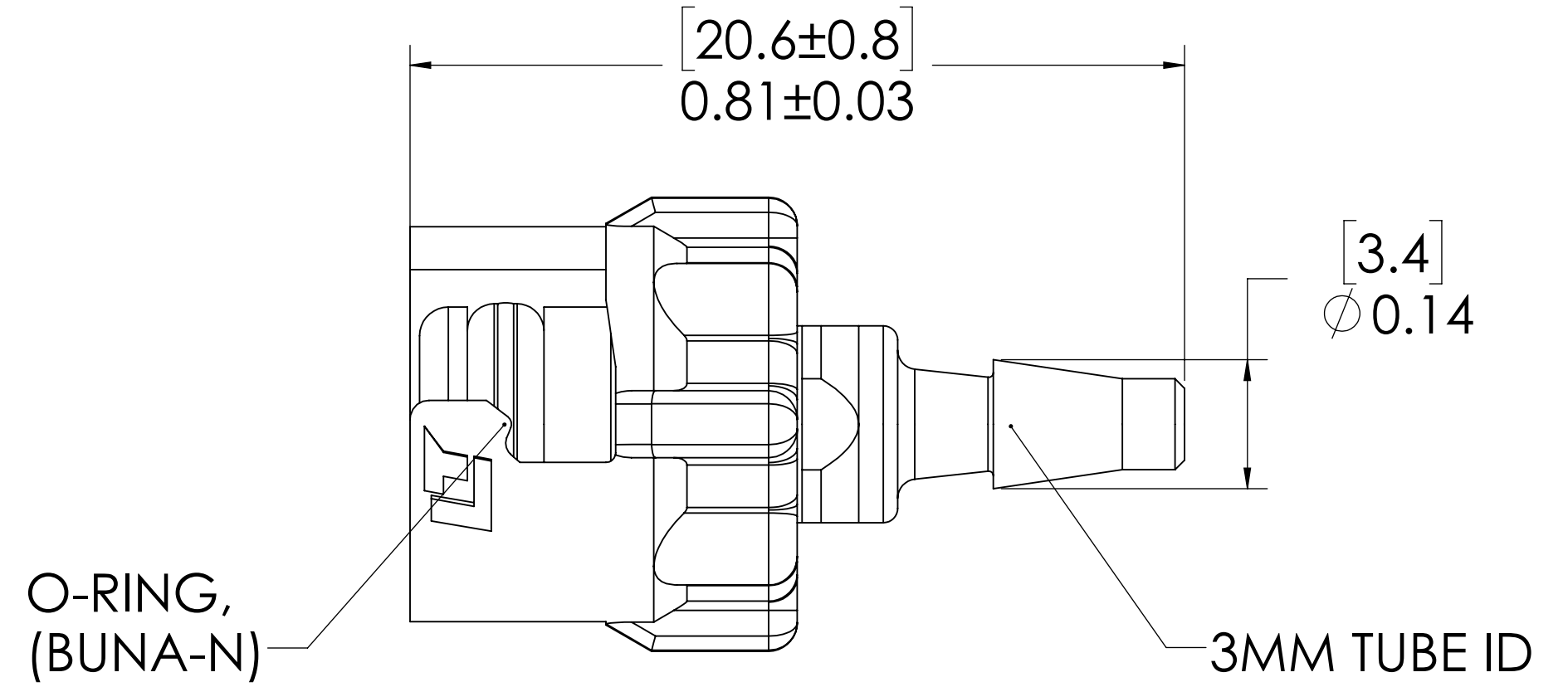
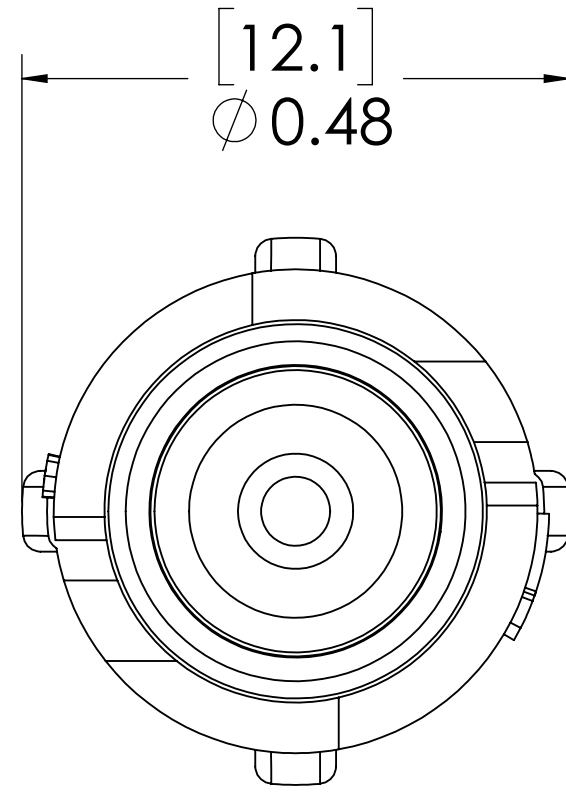
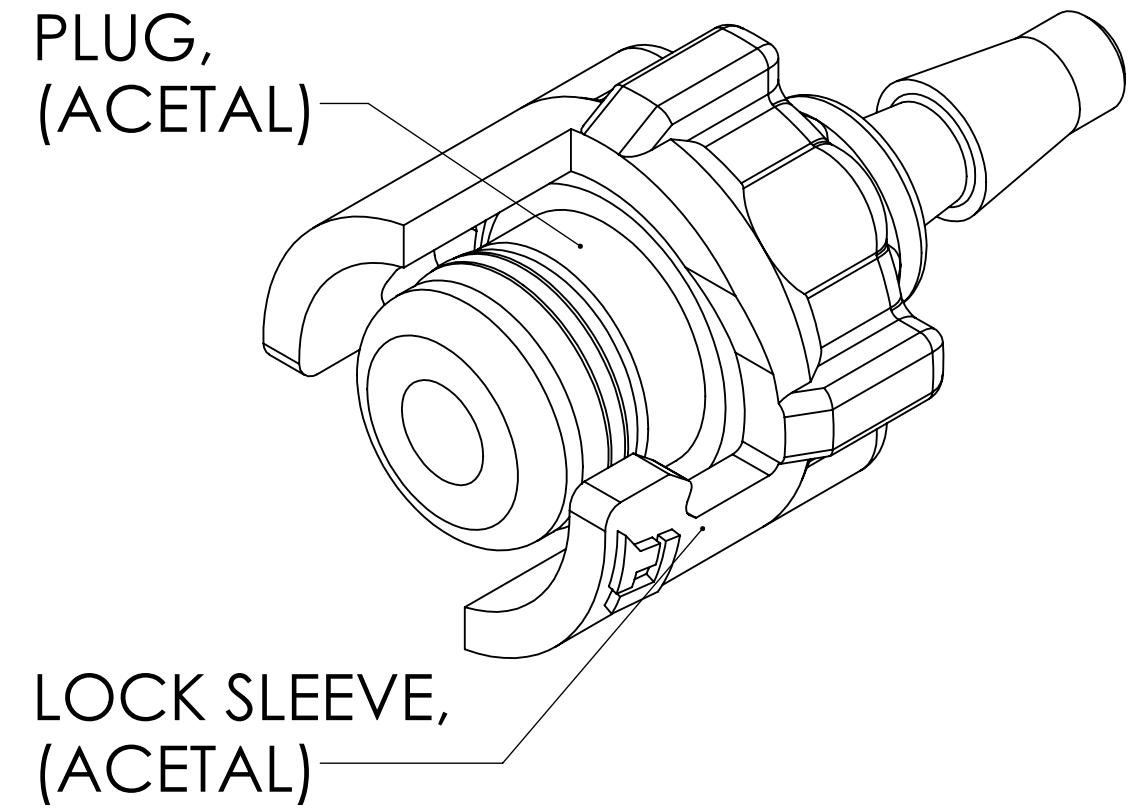



| REVISIONS | | | | | | |
|-----------|------|------|-------|---|----------|----------|
| SHEET | ZONE | REV. | ECO | DESCRIPTION | DATE | APPROVED |
| 1 | ALL | NC | 50136 | INITIAL RELEASE | 1/5/2015 | HRC |
| 1 | ALL | A | 50139 | CHANGE P/N FROM 10AC-PB2-03M TO 10AC-PB2-M3 | 1/3/2015 | HRC |
| 1 | ALL | B | 50253 | 2017 FORMAT UPDATE | 5/7/2018 | HRC |



NOTES:

1. MATERIAL: ACETAL
2. COLOR: NATURAL WHITE
3. O-RING MATERIAL: BUNA-N
4. O-RINGS LUBRICATED WITH FOOD GRADE SILICONE OIL, 350 CST.

FOR REFERENCE ONLY

| | | | | |
|---|------------|-----|---------|---|
| <small>UNLESS OTHERWISE SPECIFIED: DIMENSIONS ARE IN INCHES TOLERANCES: FRACTIONAL ±1/32 ANGULAR: MACH ±0.5 BEND ±2 ONE PLACE DECIMAL ±0.1 TWO PLACE DECIMAL ±0.01 THREE PLACE DECIMAL ±0.005 TWO PLACE DUAL (mm) [±0.12]</small> | DRAWN | HRC | 9/16/12 |  PART NO: 10AC-PB2-M3 DESCRIPTION: LinkTech 10AC Series Straight Male, Non-valved, 3mm HB, Natural Acetal |
| | CHECKED | HRC | 9/16/12 | |
| | ENG APPR. | HRC | 5/7/18 | |
| | MFG APPR. | BDB | 5/7/18 | |
| <small>PROPRIETARY AND CONFIDENTIAL THE INFORMATION CONTAINED IN THIS DRAWING IS THE SOLE PROPERTY OF LINKTECH LLC. ANY REPRODUCTION OR DISCLOSURE IN PART OR AS A WHOLE WITHOUT THE WRITTEN PERMISSION OF LINKTECH LLC IS STRICTLY PROHIBITED.</small> | PURCHASING | RK | 5/7/18 | SIZE DWG. NO. REV C 10AC100054 B |
| <small>SCALE: NTS WEIGHT: SHEET 1 OF 1</small> | | | | |