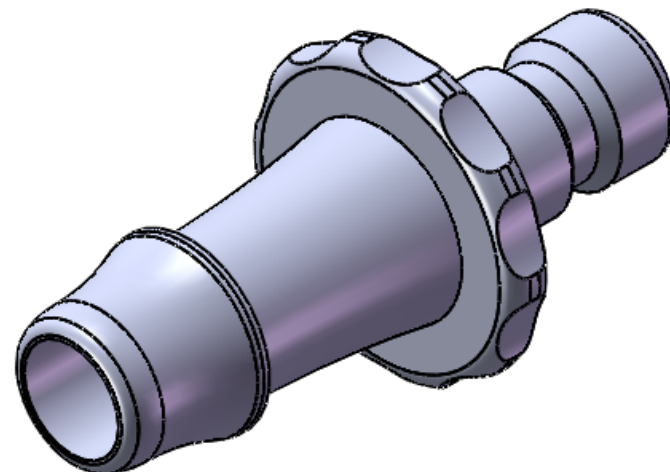
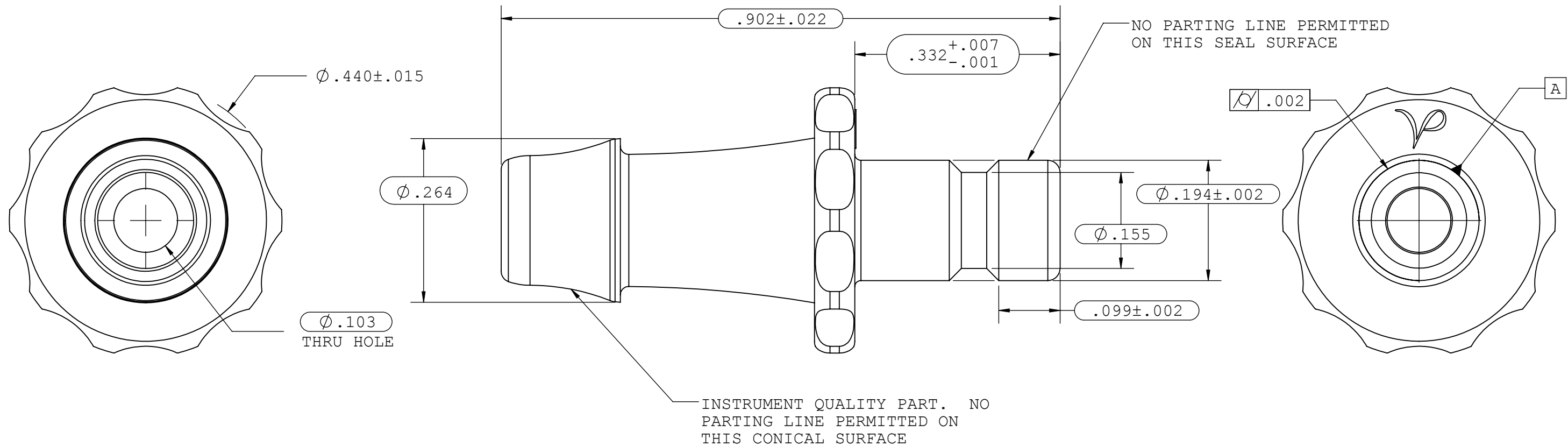


NOTES: FOR MORE DETAILS SEE YOUR V.P. SERVICE REP.

REVISIONS			
REV.	DESCRIPTION	DATE	APPROVED
A	INITIAL RELEASE	04-21-05	
B	CO 013 Drafting Update	05-02-05	Rick C.
C	ECO 104	12-11-08	S.N.R
D	ECO 175	08-27-10	S.N.R
E	ECO 301	3-11-15	H.L



UNLESS OTHERWISE SPECIFIED DIMENSIONS ARE IN INCHES TOLERANCES ARE:		VALUE PLASTICS, INC			
FRACTIONS	DECIMAL				
$\pm .XX$	$\pm .01$	$\pm 1^\circ$			
$\pm .XXX$	$\pm .005$				
$\pm .XXXX$	$\pm .001$				
DO NOT SCALE DRAWING			PART NUMBER: BPM035		
DESCRIPTION: Blood Pressure Monitor Connector Bayonet to 500 Series Barb, 3/16" (4.75 mm) ID Tubing					
DRAWN BY:	DATE:	SIZE:	SCALE:	VER:	DWG. NO.
Frank.Lombardi	7/2/2015	B	NTS		1005506
NEW PRODUCT DEVELOPMENT MGR:		© 2008 VALUE PLASTICS, INC		SHEET: 1 OF 1	
R. Narayanan				REV: E	

FOR REFERENCE ONLY