

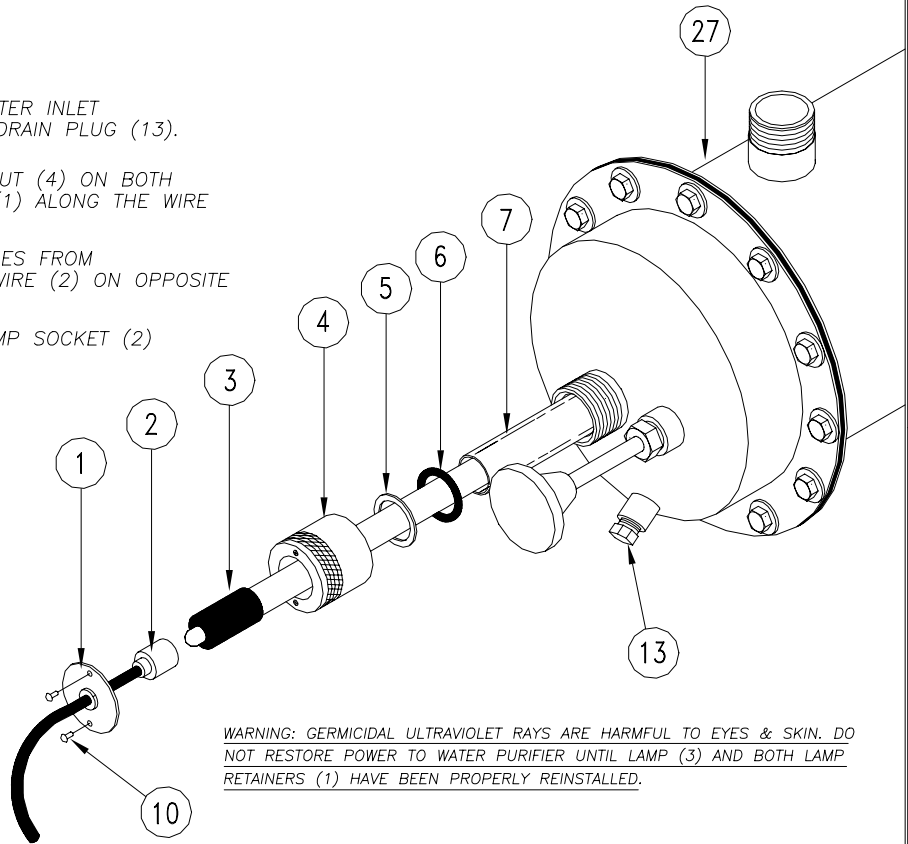
SANITRON™

ULTRAVIOLET WATER PURIFIERS

QUARTZ SLEEVE CLEANING OR REPLACEMENT

MODELS: A75, A250, A600, A2400

1. DISCONNECT POWER TO WATER PURIFIER. SHUT OFF WATER INLET & OUTLET VALVES AND DRAIN CHAMBER BY REMOVING DRAIN PLUG (13). (REMOVE PROTECTIVE GUARD FROM MODEL A2400)
2. REMOVE RETAINER SCREWS (10) FROM STATIC GLAND NUT (4) ON BOTH ENDS OF CHAMBER (27). SLIDE EACH LAMP RETAINER (1) ALONG THE WIRE AWAY FROM THE LAMP SOCKET (2).
3. CAREFULLY WITHDRAW LAMP (3) APPROXIMATELY 2 INCHES FROM CHAMBER (27) WHILE FEEDING LAMP SOCKET & LEAD WIRE (2) ON OPPOSITE END OF CHAMBER.
4. WHILE HOLDING LAMP END (3), CAREFULLY REMOVE LAMP SOCKET (2) ON END NOW EXPOSED.



WARNING: GERMICIDAL ULTRAVIOLET RAYS ARE HARMFUL TO EYES & SKIN. DO NOT RESTORE POWER TO WATER PURIFIER UNTIL LAMP (3) AND BOTH LAMP RETAINERS (1) HAVE BEEN PROPERLY REINSTALLED.

5. NEXT, CAREFULLY WITHDRAW LAMP (3) APPROXIMATELY 2 INCHES ON OPPOSITE END, HOLD LAMP END & REMOVE LAMP SOCKET (2).
6. LAMP SHOULD NOW BE FREE ON BOTH ENDS. CAREFULLY WITHDRAW LAMP (3) FROM CHAMBER (27). BE SURE TO WITHDRAW LAMP STRAIGHT OUT WITHOUT ANGLING UNTIL COMPLETELY CLEAR OF QUARTZ SLEEVE (7).

CAUTION: LAMP AND QUARTZ SLEEVE ARE EASILY DAMAGED. EXERCISE CARE WHEN REMOVING OR REPLACING LAMP.

7. UNSCREW BRASS STATIC GLAND NUTS (4) FROM EACH END OF THE CHAMBER. (AVOID STRIKING QUARTZ SLEEVE WITH STATIC GLAND NUT.) THEN CAREFULLY REMOVE TEFLON WASHER (5) AND O-RING (6) FROM BOTH ENDS OF THE QUARTZ SLEEVE (7). TEFLON WASHER (5) WILL SOMETIMES REMAIN WITHIN THE STATIC GLAND NUT. IF SO, REMOVE TEFLON WASHER FROM STATIC GLAND NUT (4) BEFORE PROCEEDING.
8. CAREFULLY REMOVE QUARTZ SLEEVE (7) FROM CHAMBER (27). NOTE: IT IS ADVISABLE TO SUPPORT THE QUARTZ SLEEVE ON THE BACK SIDE WITH YOUR FINGER SO THAT IT DOES NOT DROP TO THE BOTTOM OF THE CHAMBER WHEN IT SLIDES PAST THE CHAMBER END. ONCE THE QUARTZ SLEEVE IS REMOVED, CLEAN WITH ALCOHOL OR A DETERGENT. STUBBORN STAINS USUALLY CAN BE REMOVED WITH A DILUTE HYDROCHLORIC ACID.
9. REASSEMBLE IN REVERSE ORDER. BE SURE O-RINGS (6) ARE PLACED ON QUARTZ SLEEVE (7) BEFORE TEFLON RINGS (5).
10. DO NOT OVERTIGHTEN STATIC GLAND NUTS (4) ON CHAMBER. TIGHTEN BY HAND ONLY !!! OVERTIGHTENING WILL CAUSE QUARTZ SLEEVE TO BREAK.

ITEM	DESCRIPTION	QTY	MODEL A75	MODEL A250	MODEL A600	MODEL A2400
			PART NO.	PART NO.	PART NO.	PART NO.
1	LAMP RETAINER	2	251233	251233	251233	251234
2	LAMP SOCKET & LEAD WIRE	2	051219B2	051218A1	051218A2	051219B4
3	GERMICIDAL ULTRAVIOLET LAMP	1	051108	051339	051341	051312
4	STATIC GLAND NUT	2	251231A	251231A	251231A	251232
5	TEFLON WASHER	2	251235	251235	251235	251236
6	RUBBER "O" RING	2	001238	001238	001238	001239
7	QUARTZ SLEEVE	1	151372	151372	151077	151060
10	RETAINER SCREW	4	501334	501334	501334	501334
13	DRAIN PLUG	1	271216	271216	271216	271216
27	CHAMBER	1	251207	251207	251206	251205



ATLANTIC ULTRAVIOLET

CORPORATION

375 MARCUS BOULEVARD
HAUPPAUGE, N.Y. 11788
PHONE: (631) 273-0500
FAX: (631) 273-0771