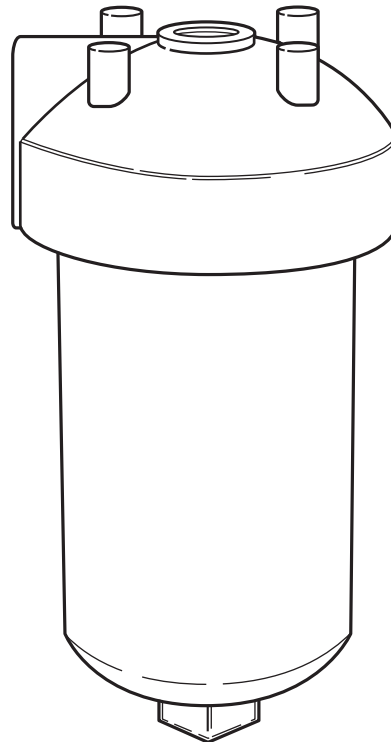


Aqua-Pure[®]

Installation and Operating Instructions For AP200 Drinking Water System



**Installer: Please leave manual with homeowner.
Homeowner: Please retain for operation and
future maintenance instructions.**

INSTR2134 0710


3M


SAFETY INFORMATION

Read, understand, and follow all safety information contained in these instructions prior to installation and use of the AP200 Drinking Water System. Retain these instructions for future reference.

Intended use:

The AP200 Drinking Water System is intended for use in filtering potable water in homes and has not been evaluated for other uses. The system is typically installed under a sink, and should be installed by qualified professional installers according to these installation instructions.

EXPLANATION OF SIGNAL WORD CONSEQUENCES	
 WARNING	Indicates a potentially hazardous situation, which, if not avoided, could result in death or serious injury and/or property damage.
CAUTION	Indicates a potentially hazardous situation, which, if not avoided, may result in property damage.

 WARNING
To reduce the risk associated with choking: <ul style="list-style-type: none">Do not allow children under 3 years of age to have access to small parts during the installation of this product.
To reduce the risk associated with ingestion of contaminants due to use with water that is microbiologically unsafe or of unknown quality: <ul style="list-style-type: none">Do not use with water that is microbiologically unsafe or of unknown quality without adequate disinfection before or after the system.
To reduce the risk associated with a hazardous voltage: <ul style="list-style-type: none">Do not install near electric wiring or piping which may be in the path of a drilling tool when selecting the position to mount the filter bracket.
To reduce the risk of physical injury: <ul style="list-style-type: none">Shut off inlet water supply and depressurize system as shown in manual prior to cartridge removal.

CAUTION

To reduce the risk associated with property damage due to water leakage:

- **Read and follow** Use Instructions before installation and use of this system.
- Installation and Use **MUST** comply with all state and local plumbing codes.
- **Protect from freezing.** Drain filter when temperatures drop below 40°F (4.4°C).
- **Do not** install systems in areas where ambient temperatures may go above 110° F (43.3° C).
- **Do not** install on hot water supply lines. The maximum operating water temperature of this system is 100°F (37.8°C).
- **Do not** install if water pressure exceeds 125 psi (862 kPa). If your water pressure exceeds psi (552 kPa), you **must** install a pressure limiting valve. Contact a plumbing professional if you are uncertain how to check your water pressure.
- **Do not** install where water hammer conditions may occur. If water hammer conditions exist you must install a water hammer arrester. Contact a plumbing professional if you are uncertain how to check for this condition.
- Where a backflow prevention device is installed on a water system, a device for controlling pressure due to thermal expansion must be installed.
- Do not use a torch or other high temperature sources near system, cartridges, plastic fittings or plastic plumbing.
- On plastic fittings, never use pipe sealant or pipe dope. Use PTFE thread tape only, pipe dope properties may deteriorate plastic.
- Take care when using pliers or pipe wrenches to tighten plastic fittings, as damage may occur if over tightening occurs.
- Do not install in direct sunlight or outdoors.
- Do not install near water pipes which will be in path of a drilling tool when selecting the position to mount the bracket.
- Mount system in such a position as to prevent it from being struck by other items used in the area of installation.
- Ensure that the location and fasteners will support the weight of the system when installed and full of water.
- Ensure all tubing and fittings are secure and free of leaks.
- The disposable filter cartridge **MUST** be replaced every six months, at the rated capacity or sooner if a noticeable reduction in flow rate occurs.

IMPORTANT NOTES

- Failure to follow instructions will void warranty.
- Allow a minimum of 7 1/2" (19.5 cm) clear space under filter to facilitate cartridge change.
- Install with the inlet and outlet ports as labeled. Make sure not to reverse connections.
- Do not crimp copper tubing.

GETTING STARTED

Your new Aqua-Pure® AP200 Drinking Water System will reduce chlorine taste and odor, and sediment from your drinking water. The system installs under the sink on the cold water line. The installation procedure covered in this manual requires the removal of a section of the cold water tube. Soft copper tubing and compression fittings should be purchased locally to complete the installation.

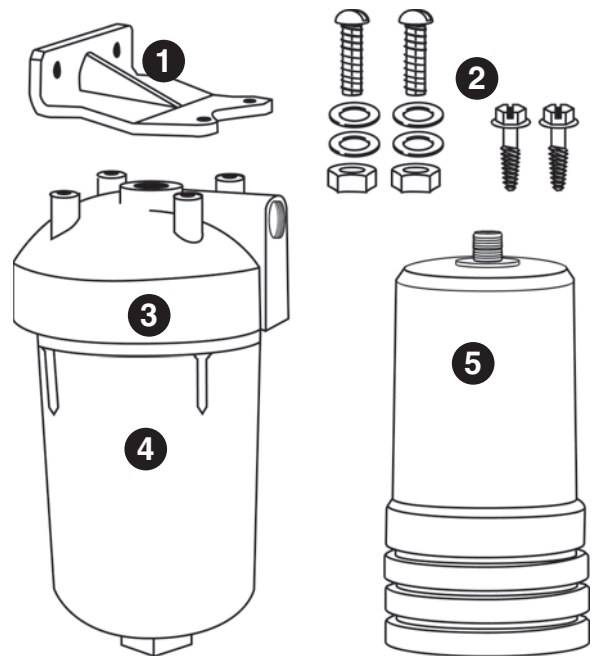
Parts and Materials Included:

1. Mounting Bracket
2. Two Mounting Screws, Four Washers, Two Nuts, And Two Self-tapping Screws
3. System Head
4. Sump
5. AP217 Cartridge

Tools and Parts Required (not included):

- Two 3/8" Pipe Thread Male Connectors
- Compression Fittings
- 3/8" Soft Copper Tubing
- Drill (Cordless Recommended)
- Adjustable Wrench
- Phillips Head Screwdriver
- Razor Knife Or Tube Cutter
- PTFE Tape
- Silicone based lubricant

Empty contents of package and identify all parts as shown in diagram. Read all instructions carefully before attempting to start installation. The existing shut-off valve remains in place and still acts as the cold water shut-off.



IMPORTANT INSTALLATION INSTRUCTIONS

1. Position the filter by holding it against the side of the cabinet wall underneath the sink. Allow at least 7 1/2" beneath the filter to install cartridge. Determine a desirable location for the filter installation and inlet connection. Attach the mounting bracket to appropriate mounting bosses on filter head with the self-tapping screws. (Figure 1)
2. Remove drawer from cabinet (if needed) and drill two 7/32" diameter holes through cabinet wall. Fasten filter to wall with nuts and bolts supplied. Use washers on both sides of the wall. Mounting to the cabinet side wall gives the filter good, rigid support. (Figure 2)

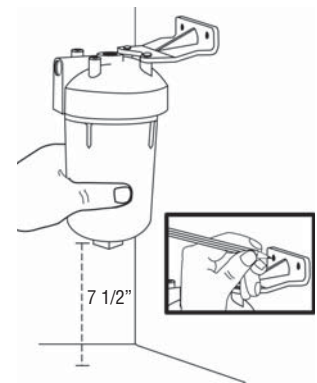


Figure 1

⚠ WARNING
To reduce the risk associated with a hazardous voltage due to an installer drilling through existing electric wiring or water pipes in the area of installation:
<ul style="list-style-type: none"> • Do not install near electric wiring or piping which may be in the path of a drilling tool when selecting the position to mount the filter bracket.

CAUTION
To reduce the risk of property damage due to water leakage:
<ul style="list-style-type: none"> • Install on COLD water lines only. • Mount filter in such a position as to prevent it from being struck by other items. • Do not install near water pipes which will be in path of a drilling tool when selecting the position to mount the bracket.

IMPORTANT NOTES
<ul style="list-style-type: none"> • Allow a minimum of 7 1/2" (19.5 cm) clear space under filter to facilitate cartridge change.

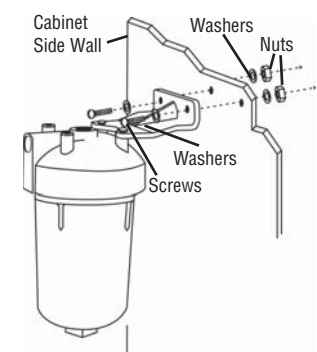


Figure 2

IMPORTANT INSTALLATION INSTRUCTIONS (Continued)

3. Wrap a 3" (7.62 cm) long piece of PTFE tape to the right around the male threads of the fittings. Wrap tightly so that it conforms to the threads of the fitting and overlaps about 1/2". (Figure 3)

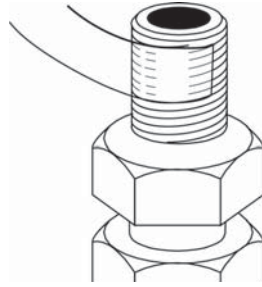


Figure 3

4. Screw one fitting into the filter outlet (top) and the other fitting into the filter inlet (side). Tighten both fittings with a wrench. Do not overtighten. (Figure 4)

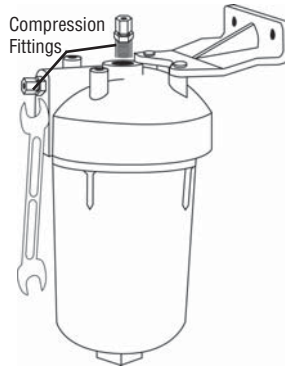


Figure 4

5. Measure down from the centerline of the filter inlet about 3" and mark the tube. From this mark, measure up 8" and mark the tube. This is the section of the tube to be removed. If necessary, because of tight quarters, additional tube can be cut away. (Figure 5)

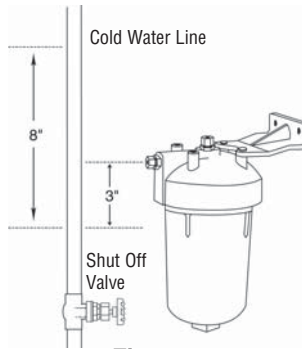


Figure 5

6. Cut the cold water tube. Place a pan under tube to catch any water that may be present. (Figure 6)

CAUTION

- Install on **COLD** water lines only.

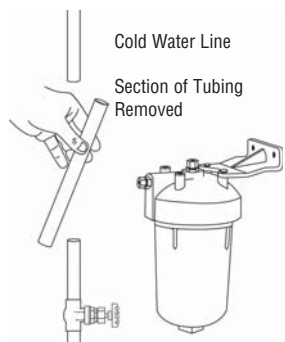


Figure 6

7. Two compression fittings are required for the tube ends. Check the tube size. Use 5/8" x 3/8", 3/8" x 3/8" or 1/2" x 3/8" compression fittings as required. Slip nut and ferrule on water tubing as shown and fasten fittings in place. (Figure 7)

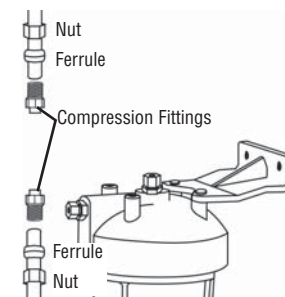


Figure 7

8. Cut two lengths of 3/8" soft copper tubing and bend to shape as shown. Bend tubing to form gentle curves rather than sharp bends. (Figure 8)

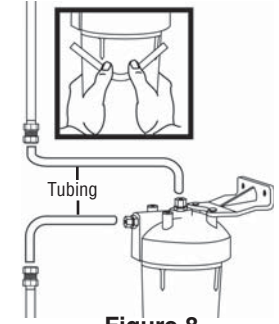


Figure 8

IMPORTANT NOTE

Do not crimp copper tubing.

9. Connect both pieces of tubing to filter and water tube as shown with compression fittings. Do not overtighten nuts. (Figure 9)

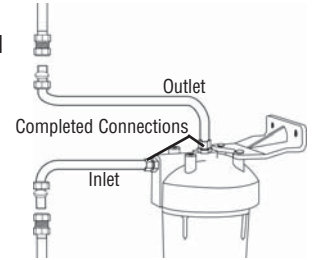


Figure 9

10. Remove housing by grasping with both hands and turning to the left. A wrench may be used on the square lug at the bottom of the housing if necessary. (Figure 10)

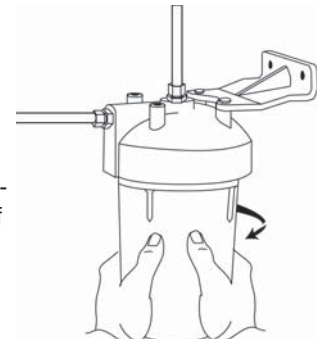


Figure 10

11. Install cartridge by threading into head about 5-6 revolutions. Do not overtighten. Lubricate o-ring with a thin film of a silicone based lubricant and put it back in housing groove. Thread the housing back on the head and hand tighten. Using of wrench to tighten the housing may damage housing and result in water leakage. (Figure 11)

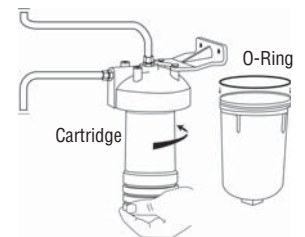


Figure 11

12. Open the cold water faucet to expel any trapped air. Open the shut-off valve to allow water to enter the filter. If any leaks occur, close the shut-off valve and open the faucet to relieve the pressure, then gently tighten the fitting that is leaking. Flush 10 gallons through system before use (approximately 5 to 7.5 minutes).

FILTER CARTRIDGE REPLACEMENT INSTRUCTIONS

CAUTION

To reduce the risk associated with property damage due to water leakage:

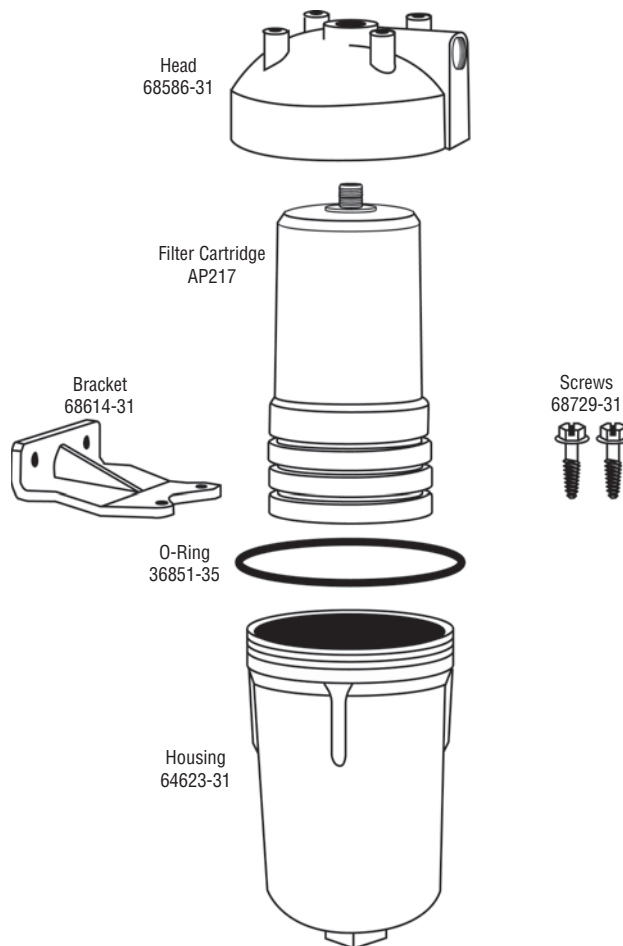
- The disposable filter cartridge **must** be replaced every six months or at the specified service cycle.

Replace cartridge at least every 6 months or when there is a decided decrease in water flowing from the faucet or when objectionable taste and/or odors return. Always have spare cartridges on hand.

1. Close shutoff valve.
2. Open faucet to relieve pressure.
3. Unscrew housing to the left from the head of the filter. Have a small pan handy to catch any spillage. Unscrew used cartridge to the left and discard.
4. Thread in new cartridge and hand tighten about 5-6 revolutions. Do not overtighten.
5. Remove o-ring from top of housing and lubricate with a thin film of a silicone based lubricant and put it back in housing groove. If o-ring is stretched or damaged, replace it with a new o-ring.
6. Thread housing on filter head and hand tighten.
7. Open shut-off valve and flush 10 gallons through system before use (approximately 5 to 7.5 minutes). Water may run cloudy but will clear quickly.

NOTE: If a leak occurs at the housing, close the shut-off valve and open the faucet to relieve pressure. Remove the housing and check the o-ring for correct placement or damage. Install a new o-ring if necessary to stop leaks.

REPLACEMENT PARTS



LIMITED WARRANTY

5 Year Limited Warranty

3M Purification Inc. will not be liable for any loss or damage arising from the use of the Product(s), whether direct, indirect, special, incidental, or consequential, regardless of the legal theory asserted, including warranty, contract, negligence or strict liability. Some states do not allow the exclusion or limitation of incidental or consequential damages, so the above limitation may not apply to you.

Limited Warranty: 3M Purification Inc. warrants this Product will be free from defects in material and manufacture for five (5) year(s) from the date of shipment. The filter cartridge or filter membrane is warranted to be free from defects in material and manufacture for one (1) year. This warranty does not cover failures resulting from abuse, misuse, alteration or damage not caused by 3M Purification Inc. or failure to follow installation and use instructions. No warranty is given as to the service life of any filter cartridge or membrane as it will vary depending on application. 3M PURIFICATION INC. MAKES NO OTHER WARRANTIES OR CONDITIONS, EXPRESS OR IMPLIED, INCLUDING, BUT NOT LIMITED TO, ANY IMPLIED WARRANTY OR CONDITION OF MERCHANTABILITY OR FITNESS FOR A PARTICULAR PURPOSE OR ANY IMPLIED WARRANTY OR CONDITION ARISING OUT OF A COURSE OF DEALING, CUSTOMER OR USAGE OF TRADE. If the Product fails to satisfy this Limited Warranty during the warranty period, 3M Purification Inc. will replace the Product or refund your Product purchase price. This warranty does not cover labor. **The remedy stated in this paragraph is Customer's sole remedy and 3M Purification Inc.'s exclusive obligation.**


INFORMACIÓN DE SEGURIDAD

Lea, entienda y observe toda la información de seguridad que se incluye en estas instrucciones antes de instalar y usar del sistema de agua potable AP200. Retenga estas instrucciones como referencia futura.

Uso previsto:

El sistema de agua potable AP200 tiene por objeto ser usado en el filtrado de agua potable en viviendas y no ha sido evaluado para otros usos. El sistema se instala generalmente debajo del fregadero y un profesional calificado debe instalarlo de acuerdo a estas instrucciones de instalación.

EXPLICACIÓN DE LAS CONSECUENCIAS DE LAS PALABRAS INDICADORAS

 ADVERTENCIA	Indica una situación peligrosa potencial, la cual, si no se evita, podría resultar en una lesión seria o la muerte y/o daño a la propiedad.
PRECAUCIÓN	Indica una situación peligrosa potencial, la cual, si no se evita, podría resultar en daños a la propiedad.

ADVERTENCIA

Para reducir el riesgo asociado con la ingestión de contaminantes:

- **No lo utilice** con agua que sea microbiológicamente insegura o de calidad desconocida sin la desinfección adecuada previa o posterior al sistema.

Para reducir el riesgo asociado con un voltaje peligroso:

- **No lo instale** cerca de alambres eléctricos o cañerías que pudieran estar en el lugar de perforación cuando se selecciona el lugar para montar el soporte del filtro.

PRECAUCIÓN

Para reducir el riesgo asociado con el daño a la propiedad debido a pérdidas de agua:

- **Lea y observe** las Instrucciones de uso antes de la instalación y uso de este sistema.
- La instalación y Uso DEBE cumplir con los códigos de plomería existentes locales y estatales.
- **Proteja al filtro contra el congelamiento.** Drene el filtro cuando la temperatura ambiente cae por debajo de 40°F (4,4°C);
- **No lo instale** si la presión del agua excede los 125 psi (862 kPa). Si la presión del agua excede los 125 psi, debe instalar una válvula que limite la presión. Consulte a un profesional de la plomería si no está seguro sobre cómo verificar la presión del agua.
- **No lo instale** donde pudieran ocurrir situaciones de golpes de ariete. Si existen situaciones de golpe de ariete debe instalar un supresor de golpes de ariete. Consulte a un profesional de la plomería si no está seguro sobre cómo comprobar si existe dicha situación.
- Para uso con **AGUA** fría solamente. (40-100°F (4.4-37.8°C))
- El cartucho desechable del filtro debe cambiarse cada seis meses o según el ciclo de servicio especificado.
- **No use** un soplete ni otras fuentes de altas temperaturas cerca del filtro o accesorios de plástico.
- **No lo instale** cerca de cañerías de agua que pudieran estar en el lugar de perforación cuando se selecciona el lugar para montar el soporte.
- Instale el filtro en una posición tal que se prevenga la posibilidad de golpearlo con otros artículos usados en el lugar de la instalación (canastas de desechos, etc.).
- En los accesorios de plástico, nunca use selladores ni compuestos lubricantes para tuberías. Use **SOLAMENTE** la cinta para el sellado de la rosca.
- Asegúrese que todas las tuberías y accesorios estén aseguradas y sin pérdidas.
- **Cierre el suministro de combustible al calentador de agua** luego de cortar el agua.

NOTIFICACIÓN IMPORTANTE

- No observar las instrucciones podría cancelar la garantía.
- Deje un espacio libre mínimo de 19.5 cm (7 1/2") debajo del filtro para facilitar el cambio del cartucho.
- Instálelo con los puertos de entrada y salida como se indican. Asegúrese de no invertir las conexiones.
- No doble la tubería de cobre.

PARA COMENZAR

Su nuevo filtro de agua potable Aqua-Pure® AP200 eliminará gustos y olores a cloro y sedimento del agua potable. El filtro se instala debajo del fregadero en la cañería de agua fría. El procedimiento de instalación cubierto en este manual requiere la eliminación de una sección del tubo de agua fría. Los accesorios de compresión y la tubería de cobre blando pueden comprarse localmente para completar la instalación.

Piezas y Materiales Incluidos:

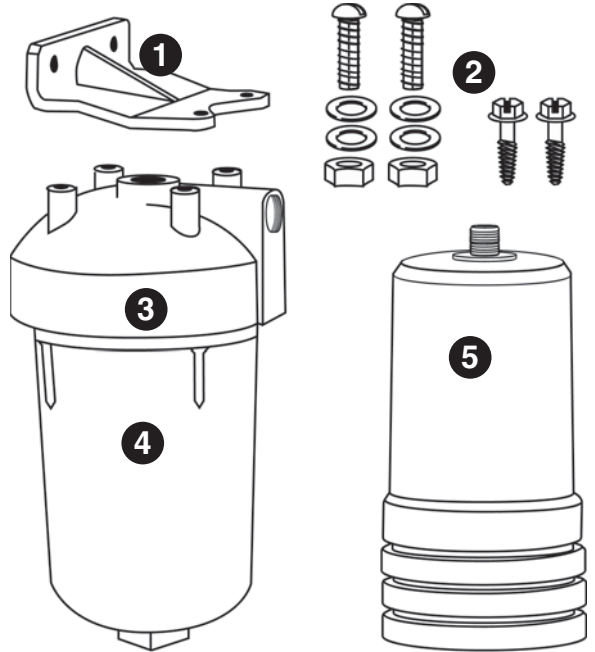
1. Soporte de Montaje
2. Dos tornillos de montaje, Cuatro arandelas, Dos tuercas y Dos tornillos auto perforantes
3. Cabezal del sistema
4. Sumidero
5. Cartucho de AP217

Herramientas y Piezas Necesarias

(no se incluyen):

- Dos conexiones macho con rosca de 3/8 de pulgada
- Accesorios de compresión
- Tubería de cobre blando de 3/8 de pulgada
- Taladro eléctrico (se recomienda uno inalámbrico)
- Llave ajustable
- Destornillador con cabeza Phillips
- Cuchillo o cortador de tubería
- Cintas PTFE
- Lubricante de silicón

Vacíe el contenido del paquete e identifique todas las piezas que se muestran en el diagrama. Lea todas las instrucciones detenidamente antes de tratar de comenzar la instalación. La válvula de paso existente permanece en su lugar y sigue funcionando como el corte de agua fría.



IMPORTANTE: INSTRUCCIONES PARA LA INSTALACIÓN

1. Ponga el filtro sujetándolo en contra del costado de la pared del mueble debajo del fregadero. Deje por lo menos un espacio de 7 pulgadas y medio debajo del filtro para instalar el cartucho. Determine un lugar deseable para la instalación del filtro y conexión de entrada. Sujete el soporte de montaje a los accesorios de montaje del cabezal del filtro con los tornillos auto perforantes. (Figura 1)
2. Saque el cajón (si es necesario) del mueble y perforo dos agujeros de 7/32 de pulgada de diámetro a través de la pared del mueble. Sujete el filtro a la pared con las tuercas y los pernos suministrados. Use arandelas en ambos costados de la pared. Montarlo en la pared lateral del mueble brindará al filtro un soporte sólido y rígido. (Figura 2)

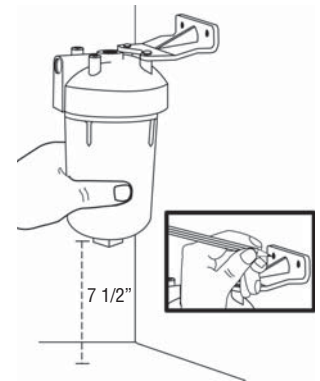


Figura 1

⚠️ ADVERTENCIA

Para reducir el riesgo asociado con un voltaje peligroso:

- **No lo instale** cerca de alambres eléctricos o cañerías que pudieran estar en el lugar de perforación cuando se selecciona el lugar para montar el soporte del filtro.

PRECAUCIÓN

Para reducir el riesgo asociado con el daño a la propiedad debido a pérdidas de agua:

- Para uso con **AGUA** fría solamente. (40-100°F (4.4-37.8°C))
- Instale el filtro en una posición tal que se prevenga la posibilidad de golpearlo con otros artículos usados en el lugar de la instalación (canastas de desechos, etc.).
- **No lo instale** cerca de cañerías de agua que pudieran estar en el lugar de perforación cuando se selecciona el lugar para montar el soporte.

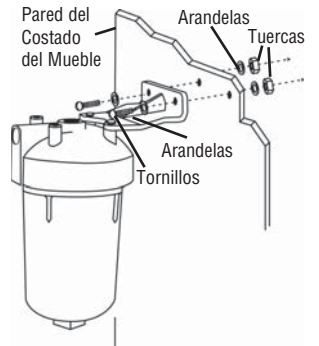


Figura 2

NOTIFICACIÓN IMPORTANTE

- Deje un espacio libre mínimo de 19.5 cm (7 1/2") debajo del filtro para facilitar el cambio del cartucho.

INSTRUCCIONES PARA LA INSTALACIÓN (CONTINUACIÓN)

3. Envuelva un pedazo de cinta de PTFE de 3 pulgadas (7,62 cm) de largo hacia la derecha alrededor de las roscas macho de los accesorios. Envuélvalo apretadamente para que entre en las roscas del accesorio y se superponga por lo menos 1/2 pulgada. (Figura 3)

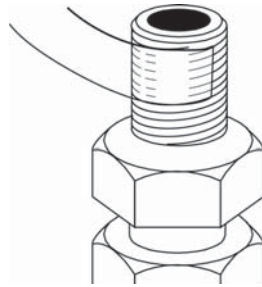


Figura 3

4. Enrosque un accesorio en la salida del filtro (arriba) y el otro accesorio en la entrada del filtro (costado). Apriete ambos accesorios con una llave. No lo apriete demasiado. (Figura 4)



Figura 4

5. Mida hacia abajo desde la línea central de la entrada del filtro cerca de 3 pulgadas y marque el tubo. Desde esta marca, mida 8 pulgadas hacia arriba y marque el tubo. Esta es la sección del tubo que debe sacar. De ser necesario, debido a la falta de espacio, se podrá cortar más tubo. (Figura 5)

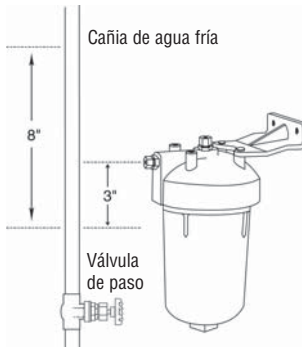


Figura 5

6. Corte el tubo de agua fría. Ponga un recipiente debajo del tubo para recoger el agua que pudiera caer. (Figura 6)



Figura 6

PRECAUCIÓN

- Para uso con **AGUA** fría solamente. (40-100°F (4.4-37.8°C))

7. Se requieren dos accesorios de compresión para los extremos del tubo. Verifique el tamaño del tubo. Use accesorios de compresión de 5/8 x 3/8 de pulgada, 3/8 x 3/8 de pulgada ó 1/2 pulgada x 3/8 de pulgada según sea necesario. Deslice la tuerca y el regatón sobre la tubería del agua como se indica y ajuste los accesorios en su lugar. (Figura 7)

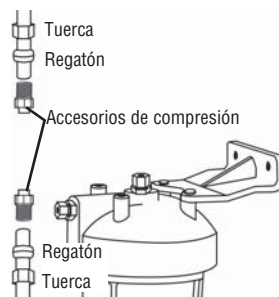


Figura 7

8. Corte dos pedazos de tubería de cobre blando de 3/8 de pulgada y dóblelos como se indica. Doble la tubería para crear curvas suaves en lugar de cerradas. (Figura 8)

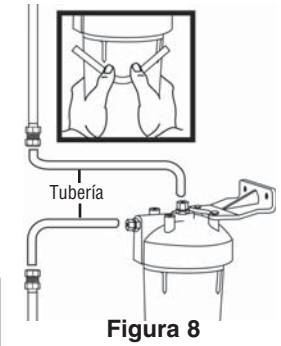


Figura 8

NOTIFICACIÓN IMPORTANTE

- No doble la tubería de cobre.

9. Conecte ambos pedazos de tubería al filtro y tubo de agua como se indica con los accesorios de compresión. No apriete las tuercas demasiado. (Figura 9)

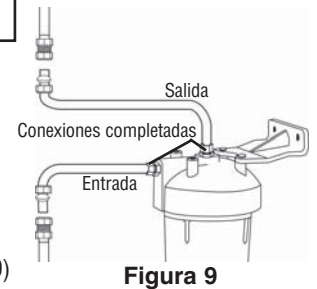


Figura 9

10. Saque el armazón agarrándolo con las dos manos y haciéndolo girar a la izquierda. Se podrá usar una llave en la tuerca cuadrada en el fondo del armazón si fuera necesario. (Figura 10)

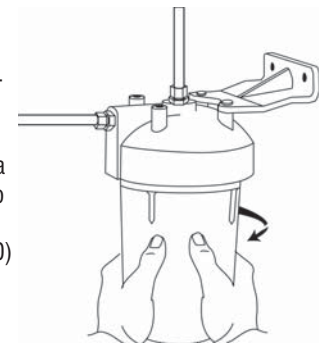


Figura 10

11. Instale el cartucho enroscándolo al cabezal unas 5 ó 6 vueltas. No lo apriete demasiado. Lubrique la junta tórica con una película delgada de lubricante con base de silicona y póngalo en la ranura del armazón. Enrosque el armazón al cabezal de nuevo, apretándolo con la mano. Usar la llave para apretar el armazón podría dañarlo y resultar en pérdida de agua. (Figura 11)

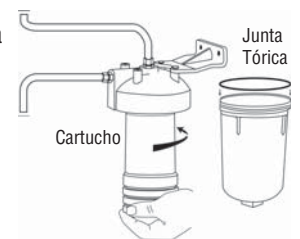


Figura 11

12. Abra el grifo de agua fría para que salga el aire atrapado. Abra la válvula de paso para permitir que entre agua al filtro. Si ocurriera alguna pérdida, cierre la válvula y abra el grifo para aliviar la presión y luego ajuste suavemente el accesorio donde está la pérdida. Descargue 10 galones a través del sistema, antes de utilizarlo (aproximadamente entre 5 y 7.5 minutos).

DIRECTIVES DE REMPLACEMENT DE LA CARTOUCHE FILTRANTE

PRECAUCIÓN

Para reducir el riesgo asociado con el daño a la propiedad debido a pérdidas de agua:

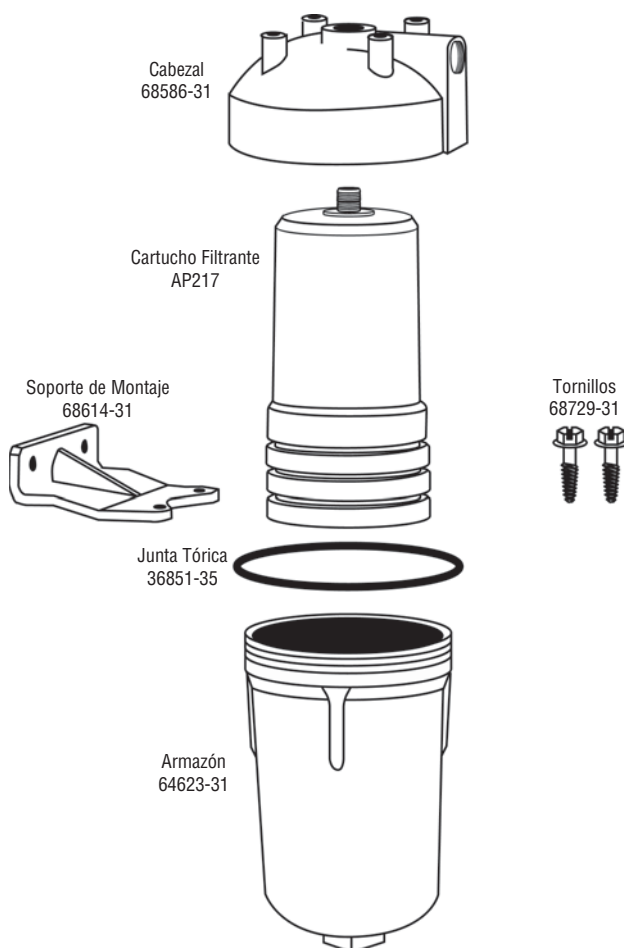
- El cartucho desechable del filtro debe cambiarse cada seis meses o según el ciclo de servicio especificado.

Cambie el cartucho por lo menos cada 6 meses o cuando haya una reducción significativa en el flujo de agua del grifo o cuando vuelvan gustos u olores objetables. Tenga siempre cartuchos de repuesto a mano.

1. Cierre la válvula de paso.
2. Abra el grifo para aliviar la presión.
3. Desenrosque el armazón hacia la izquierda desde el cabezal del filtro. Tenga un recipiente pequeño a mano para recoger los derrames. Desenrosque el cartucho usado hacia la izquierda y deséchelo.
4. Enrosque el nuevo cartucho y apriételo con la mano unas 5 ó 6 vueltas. No lo apriete demasiado.
5. Saque la junta tórica desde arriba del armazón y lubríquela con una delgada película de lubricante con base de silicona y vuelva a ponerla en la ranura del armazón. Si la junta tórica está estirada o dañada, cámbiela por una nueva.
6. Enrosque el armazón al cabezal del filtro y apriételo con la mano.
7. Abra la válvula de paso y descargue 10 galones a través del sistema, antes de utilizarlo (aproximadamente entre 5 y 7.5 minutos). El agua podrá salir algo turbia pero se aclarará rápidamente.

NOTA: Si ocurre una pérdida en el armazón, cierre la válvula de paso y abra el grifo para aliviar la presión. Saque el armazón y verifique que la junta tórica está en el lugar correcto y sin daños. Instale una nueva junta si fuera necesario para detener las pérdidas.

PIEZAS DE RECAMBIO



GARANTÍA LIMITADA

Garantía Limitada de Cinco Años

3M Purification Inc. no será responsable por pérdidas o daños derivados del uso de los Productos, ya sea en forma directa, indirecta, especial, incidental, o consecuenal, independientemente de la teoría legal que se aplique, incluyendo garantía, contrato, negligencia o responsabilidad estricta. Algunos estados no permiten la exclusión o limitación de daños incidentales o consecuenales, por lo que la limitación anterior puede no aplicarle a usted.

Garantía limitada: 3M Purification Inc. garantiza que este Producto estará libre de defectos tanto en material como en manufactura por cinco (5) año(s) a partir de la fecha de envío. El cartucho del filtro o la membrana del filtro está garantizado como libre de defectos en material y manufactura por un (1) año. Esta garantía no cubre fallas resultantes del abuso, mal uso, alteración o daño causado por 3M Purification Inc. o la falla en seguir las instrucciones de instalación y uso. No se ofrece garantía alguna respecto a la vida de servicio de cualquier cartucho o membrana de filtro ya que ésta depende de la aplicación. 3M PURIFICATION INC. NO OTORGA OTRAS GARANTÍAS NI CONDICIONES, EXPRESAS O IMPLÍCITAS, DE MANERA ENUNCIATIVA, MAS NO LIMITATIVA, CUALQUIER GARANTÍA O CONDICIÓN IMPLÍCITA DE COMERCIALIZACIÓN O CAPACIDAD PARA UN FIN EN PARTICULAR O CUALQUIER GARANTÍA O CONDICIÓN IMPLÍCITA DERIVADA DE NEGOCIACIONES, COSTUMBRES O PRÁCTICAS DE COMERCIO. Si el Producto no cumple con esta Garantía limitada durante el periodo de garantía, 3M Purification Inc. sustituirá el Producto o le reembolsará el precio de compra del Producto. **Esta garantía no cubre mano de obra. El recurso que se indica en este párrafo es el único recurso que tiene el Cliente y la obligación exclusiva de 3M Purification Inc.**


CONSIGNES DE SÉCURITÉ

Avant d'installer et d'utiliser les systèmes d'eau potable AP200, s'assurer de lire, comprendre et suivre toutes les consignes de sécurité que renferme ce mode d'emploi. Conserver ce mode d'emploi pour consultation future.

Utilisation du produit:

Ce système d'eau potable AP200 est destiné à filtrer l'eau potable à la maison; il n'a pas été évalué pour d'autres utilisations. Ce système est généralement placé sous un évier, et devrait être installé par un installateur qualifié en respectant ces directives d'installation.

EXPLICATION DES CONSÉQUENCES LIÉES AUX MOTS INDICATEURS

 MISE EN GARDE	Indique une situation potentiellement dangereuse qui, si elle n'est pas évitée, pourrait entraîner la mort, des blessures graves et des dégâts matériels.
AVERTISSEMENT	Indique une situation potentiellement dangereuse qui, si elle n'est pas évitée, pourrait occasionner des dégâts matériels.

MISE EN GARDE

Pour réduire les risques associés à l'ingestion de contaminants:

- **Ne pas utiliser** avec de l'eau qui n'est pas sûre au point de vue microbiologique ou de qualité incertaine sans assurer une désinfection adéquate avant ou après le système.

Pour réduire les risques d'électrocution:

- **Ne pas installer** près de câbles électriques ou de conduites d'eau susceptibles d'être endommagés par la perceuse au moment de fixer le support du filtre.

AVERTISSEMENT

Afin de réduire les risques de dommages matériels associés aux fuites d'eau:

- **Lire et suivre** le mode d'emploi avant l'installation et l'utilisation de ce système.
- L'installation et l'utilisation **DOIT** être conforme aux codes d'État et de plomberie en vigueur.
- **Protéger le filtre du gel.** Vidanger le filtre si la température ambiante tombe sous les 4,4°C (40°F).
- **Ne pas** installer sur une conduite d'eau dont la pression est supérieure à 862 kPa (125 psi). Si la pression est supérieure à 862 kPa (125 psi), il est nécessaire d'installer une soupape de limitation de pression. En cas de doute sur la manière de vérifier la pression de l'eau, communiquer avec un plombier.
- **Ne pas** installer où des coups de bélier peuvent se produire. S'il se produit des coups de bélier, il est nécessaire d'installer un dispositif antibélier. En cas de doute sur la manière de vérifier cette situation, communiquer avec un plombier.
- À utiliser uniquement sur une conduite d'eau **FROIDE**. (40-100°F (4.4-37.8°C)).
- Il faut remplacer la cartouche filtrante jetable au moins tous les six mois ou selon le cycle de vie indiqué.
- **Ne pas** utiliser de torche ni d'autres appareils dégageant beaucoup de chaleur près du filtre ou des raccords en plastique.
- **Ne pas** installer près de conduites d'eau susceptibles d'être endommagées par la perceuse au moment de fixer le support.
- Installer le filtre dans une position le protégeant contre les risques de contact avec d'autres objets utilisés dans la zone d'installation (poubelle, etc.).
- **Ne pas** utiliser de garniture d'étanchéité ou d'enduit d'enrobage avec les raccords en plastique. Utiliser uniquement du ruban d'étanchéité pour filets.
- **Assurez-vous** que tous les tuyaux et raccords sont solides et exempts de fuites.
- **Couper l'alimentation en combustible du chauffe-eau** après avoir coupé l'eau.

REMARQUES IMPORTANTES

- Ne pas se conformer à ces directives pourrait annuler la garantie.
- Laisser un espace libre d'au moins 19,5 cm sous le filtre pour faciliter le remplacement de la cartouche.
- Installer avec les orifices d'entrée et de sortie aux endroits indiqués sur l'étiquette. S'assurer de ne pas intervertir les raccords.
- Ne pas pincer le tuyau de cuivre.

DÉMARRAGE

Votre nouveau filtre à eau potable Aqua-Pure® AP200 réduira la présence de goût et d'odeur de chlore, ainsi que de sédiments dans votre eau potable. Ce filtre s'installe sur le tuyau d'alimentation en eau froide, sous l'évier. Les directives d'installation contenues dans ce manuel impliquent le retrait d'une section du tuyau d'alimentation en eau froide. On doit acheter localement le tuyau en cuivre mou et les raccords nécessaires pour compléter l'installation.

Pièces et Matériel Inclus

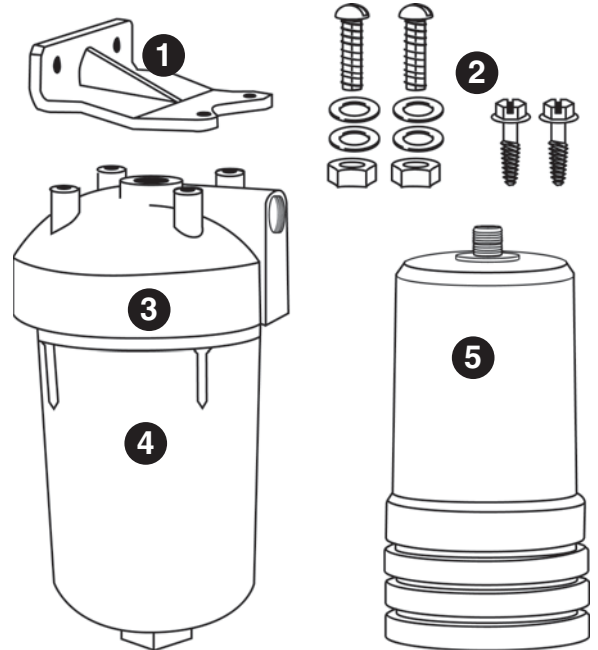
1. Support de Fixation
2. Deux vis de fixation, Quatre rondelles, Deux écrous et Deux vis autotaraudeuses
3. Tête du système
4. Réservoir collecteur
5. Cartouche AP217

Outils et Pièces Nécessaires

(non compris):

- Deux (2) raccords filetés mâles de 3/8 po
- Raccords à compression
- Tuyau en cuivre mou de 3/8 po
- Perceuse (sans fil recommandée)
- Clé anglaise réglable
- Tournevis cruciforme (Phillips)
- Couteau à lame de rasoir ou coupe-tuyau
- Ruban PTFE
- Lubrifiant à la silicone

Vider le contenu de l'emballage et repérer toutes les pièces représentées dans le schéma. Lire avec soin toutes les directives avant de commencer l'installation. Le robinet d'arrêt déjà en place demeure et sert toujours à couper l'eau.



IMPORTANT: DIRECTIVES D'INSTALLATION

1. Positionner le filtre en le tenant contre le côté de l'armoire sous l'évier. Laisser un espace libre d'au moins 19 cm (7½ po) sous le filtre pour permettre d'installer la cartouche filtrante. Déterminer l'endroit où seront installés le filtre et le raccordement à l'arrivée d'eau. Fixer le support de fixation aux endroits prévus à cette fin sur la tête du filtre à l'aide des vis autotaraudeuses. (Figure 1)
2. Retirer le tiroir de l'armoire (au besoin) et percer deux trous de 5,6 mm (7/32 po) de diamètre dans la paroi de l'armoire. Fixer le filtre au mur à l'aide des boulons et écrous fournis. Utiliser des rondelles des deux côtés du mur. Fixer le filtre au panneau latéral de l'armoire lui assurera un support solide et rigide. (Figure 2)

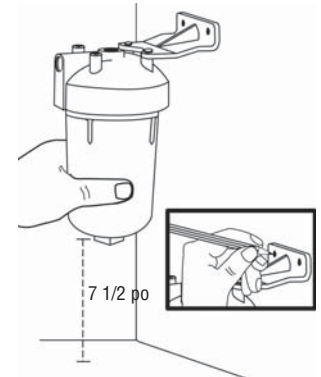


Figure 1

⚠ MISE EN GARDE

Pour réduire les risques d'électrocution:

- **Ne pas installer** près de câbles électriques ou de conduites d'eau susceptibles d'être endommagés par la perceuse au moment de fixer le support du filtre.

AVERTISSEMENT

Afin de réduire les risques de dommages matériels associés aux fuites d'eau:

- À utiliser uniquement sur une conduite d'eau **FROIDE**. (40-100°F (4.4-37.8°C)).
- Installer le filtre dans une position le protégeant contre les risques de contact avec d'autres objets utilisés dans la zone d'installation (poubelle, etc.).
- **Ne pas** installer près de conduites d'eau susceptibles d'être endommagées par la perceuse au moment de fixer le support.

REMARQUES IMPORTANTES

- Laisser un espace libre d'au moins 19,5 cm sous le filtre pour faciliter le remplacement de la cartouche.

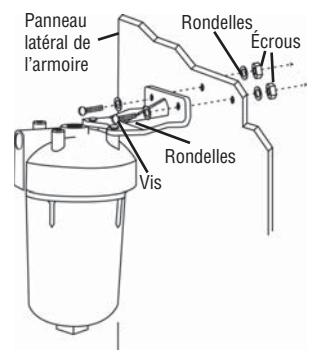


Figure 2

DIRECTIVES D'INSTALLATION (SUITE)

3. Enrouler une longueur de ruban de PTFE de 7,62 cm (3 po) de gauche à droite autour du filetage mâle des raccords. Bien resserrer afin qu'il épouse le filetage du raccordement et recouvre environ 1,3 cm (1/2 po). (Figure 3)

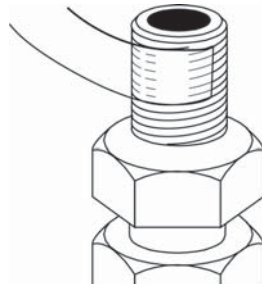


Figure 3

4. Visser un raccordement dans la sortie du filtre (sommet) et l'autre dans l'entrée du filtre (côté). Resserrer les deux raccords à l'aide d'une clé. Ne pas trop serrer. (Figure 4)

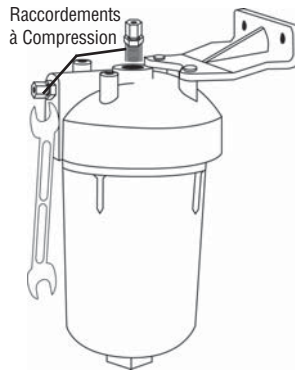


Figure 4

5. Mesurer environ 7,6 cm (3 po) vers le bas à partir du centre de l'entrée du filtre et faire une marque sur le tube. À partir de cette marque, mesure 20,3 cm (8 po) vers le haut, et faire une marque. Cela indique la portion du tuyau à retirer. Si nécessaire en raison d'un manque d'espace de travail, on peut couper une plus grande longueur de tuyau. (Figure 5)

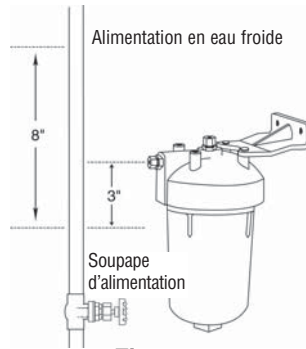


Figure 5

6. Couper le tuyau d'eau froide. Placer un récipient sous le tuyau pour recueillir l'eau qui pourrait s'écouler. (Figure 6)

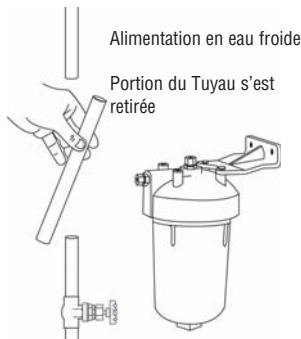


Figure 6

AVERTISSEMENT

- À utiliser uniquement sur une conduite d'eau **FROIDE**. (40-100°F (4.4-37.8°C)).

7. Deux raccords à compression doivent être placés aux extrémités du tuyau. Vérifier la taille du tuyau. Utiliser des adaptateurs de raccordement à compression de 5/8 po x 3/8 po, 3/8 po x 3/8 po ou 1/2 po x 3/8 po au besoin. Faire glisser l'écrou et la bague d'extrémité sur le tuyau d'eau tel qu'illustré et fixer les raccords en place. (Figure 7)

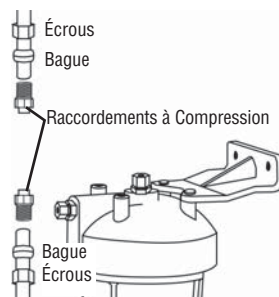


Figure 7

8. Couper deux longueurs de tuyau de cuivre mou de 3/8 po et plier pour donner la forme illustrée. Plier le tube de manière à former des courbes douces plutôt que des angles aigus. (Figure 8)

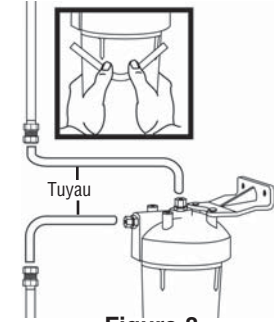


Figure 8

REMARQUES IMPORTANTES

- Ne pas pincer le tuyau de cuivre.

9. Raccorder les deux bouts du tuyau au filtre et au tuyau d'eau à l'aide des raccords à compression. Ne pas trop serrer les écrous. (Figure 9)

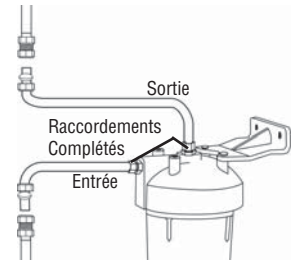


Figure 9

10. Retirer le boîtier en le tenant à deux mains et en le tournant vers la gauche. On peut utiliser une clé pour tenir la cheville carrée au bas du boîtier, si nécessaire. (Figure 10)

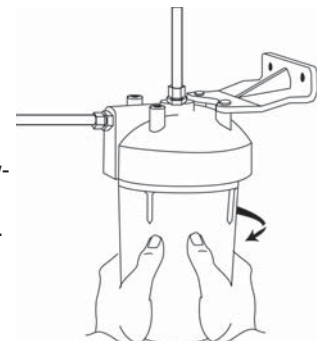


Figure 10

11. Installer la cartouche filtrante en la vissant sur la tête, environ 5 à 6 tours. Ne pas trop serrer. Lubrifier le joint torique à l'aide d'une mince couche de lubrifiant à base de silicone et remettre en place dans la rainure du boîtier. Revisser le boîtier sur la tête et bien resserrer à la main. L'utilisation d'une clé pour resserrer le boîtier peut l'endommager et causer des fuites. (Figure 11)

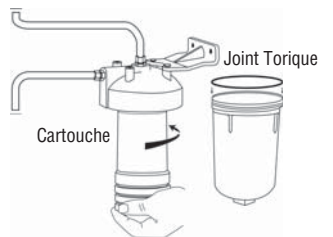


Figure 11

12. Ouvrir le robinet d'eau froide pour expulser l'air. Ouvrir la soupape d'arrêt pour permettre à l'eau de pénétrer dans le filtre. En cas de fuite, refermer la soupape d'alimentation et ouvrir le robinet pour laisser échapper la pression avant de resserrer doucement le raccordement d'où provient la fuite. Laisser 38 litres (10 gal. É.-U.) d'eau couler à travers le système avant utilisation (environ 5 à 7,5).

DIRECTIVES DE REMPLACEMENT DE LA CARTOUCHE FILTRANTE

AVERTISSEMENT

Afin de réduire les risques de dommages matériels associés aux fuites d'eau:

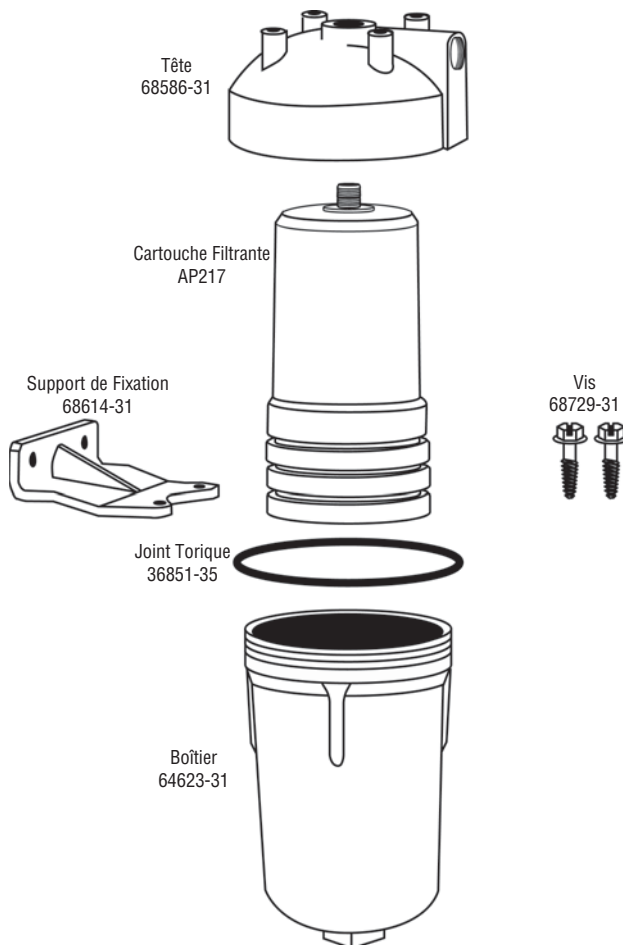
- Il faut remplacer la cartouche filtrante jetable au moins tous les six mois ou selon le cycle de vie indiqué.

Remplacer la cartouche au moins tous les six mois ou lorsque le débit d'eau est nettement moins important ou lorsque l'eau qui s'écoule dégage un goût moins agréable ou que les odeurs réapparaissent. Conserver toujours des cartouches de rechange en réserve.

1. Fermer la soupape d'alimentation.
2. Ouvrir le robinet pour dépressuriser le système.
3. Dévisser le boîtier de la tête du filtre en le tournant vers la gauche. Avoir un petit récipient sous la main pour recueillir tout écoulement. Dévisser la cartouche usagée en la tournant vers la gauche et la mettre au rebut.
4. Visser la nouvelle cartouche et resserrer à la main de 5 à 6 tours. Ne pas trop serrer.
5. Retirer le joint torique du sommet du boîtier et lubrifier à l'aide d'une mince couche de lubrifiant à base de silicone et remettre en place dans la rainure du boîtier. Remplacer le joint torique s'il est étiré ou endommagé.
6. Revisser le boîtier et serrer à la main.
7. Ouvrir la soupape d'arrêt et laisser 38 litres (10 gal. É.-U.) d'eau couler à travers le système avant utilisation (environ 5 à 7,5). Il est possible que l'eau soit brouillée, mais elle deviendra claire rapidement.

REMARQUE : En cas de fuite au niveau du boîtier, refermer la soupape d'alimentation et ouvrir le robinet pour laisser échapper la pression. Retirer le boîtier et vérifier si le joint torique est bien placé et s'il est en bon état. Installer un nouveau joint si nécessaire pour empêcher les fuites.

PIÈCES DE REMPLACEMENT



GARANTIE LIMITÉE

Garantie Limitée de Cinq Ans

3M Purification, inc. n'est pas responsable de toute perte ou tout dommage direct, indirect, particulier, accessoire ou accidentel suite à l'utilisation de ces Produits, peu importe l'affirmation de théorie juridique, y compris la violation de garantie, la responsabilité contractuelle, la négligence ou la responsabilité stricte. Certaines provinces interdisent l'exclusion ou la limitation de dommages accessoires ou indirects et la limitation ci-dessus pourrait ne pas s'appliquer à vous.

Garantie limitée : 3M Purification, inc. Garantit que ce Produit est exempt de défauts de matériaux et de main d'oeuvre pendant cinq (5) année(s) à compter de la date d'expédition. La cartouche ou membrane filtrante est garantie contre les défauts de matériaux et de fabrication pendant un (1) an. Cette garantie ne couvre pas les défauts occasionnés par une utilisation abusive ou le mésusage, l'altération ou le dommage non occasionné par 3M Purification, inc. ou le défaut de respecter les instructions d'installation et d'utilisation. Parce que l'application peut varier, aucune garantie de durée de vie n'est offerte pour aucune cartouche ou membrane filtrante. 3M PURIFICATION, INC. N'OFFRE AUCUNE AUTRES GARANTIE OU CLAUSE EXPLICITES OU IMPLICITES, Y COMPRIS, MAIS SANS S'Y LIMITER, TOUTE GARANTIE OU CLAUSE IMPLICITE DE QUALITÉ MARCHANDE OU D'ADAPTATION À UN USAGE PARTICULIER, OU TOUTE GARANTIE OU CLAUSE IMPLICITE DÉCOULANT DE LA CONDUITE DES AFFAIRES, DES PRATIQUES COURANTES ET DES USAGES DU COMMERCE. Si une défectuosité du Produit survient pendant la période couverte par la garantie limitée, 3M Purification, inc. remplacera le produit ou remboursera le prix d'achat du Produit. Cette garantie ne couvre pas la main d'oeuvre. **Le recours énoncé dans ce paragraphe est le seul offert au client et l'obligation exclusive de 3M Purification, Inc.**

NOTES:



3M Purification Inc.
400 Research Parkway
Meriden, CT 06450 USA
Toll Free: 1-800-222-7880
Worldwide: 203-237-5541
Fax: 203-238-8701
www.aquapure.com • www.3mpurification.com

3M is a trademark of 3M Company.
Aqua-Pure is a trademark of 3M Company used under license.
© 2010 3M Company. All rights reserved.