



# T&S BRASS AND BRONZE WORKS, INC.

2 Saddleback Cove / P.O. Box 1088  
Travelers Rest, SC 29690



REG. #A2601  
ISO #9001

Model No.

**B-3952-01**

Item No.

Travelers Rest, SC: 800-476-4103 Simi Valley, CA: 800-423-0150 Fax: 864-834-3518 www.tsbrass.com

This Space for Architect/Engineer Approval

Job Name \_\_\_\_\_ Date \_\_\_\_\_

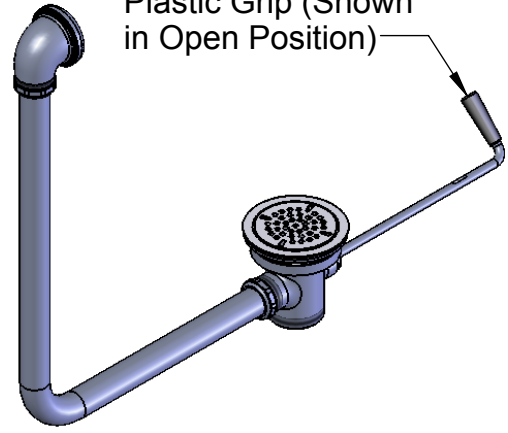
Model Specified \_\_\_\_\_ Quantity \_\_\_\_\_

Customer/Wholesaler \_\_\_\_\_

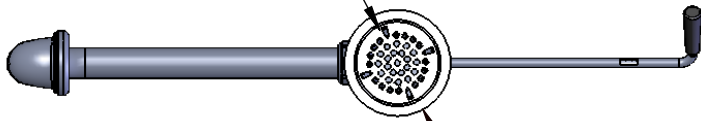
Contractor \_\_\_\_\_

Architect/Engineer \_\_\_\_\_

Twist Handle w/  
Heat Resistant  
Plastic Grip (Shown  
in Open Position)



Removable  
Snap-in Strainer



Ø4 7/16"  
[113mm]

Ø2 11/16"  
[68mm]

Ø1 1/4" [32mm] O.D.  
Overflow Tube

12 1/4" ± 1/4"  
[312mm]

19 3/8"  
[492mm]

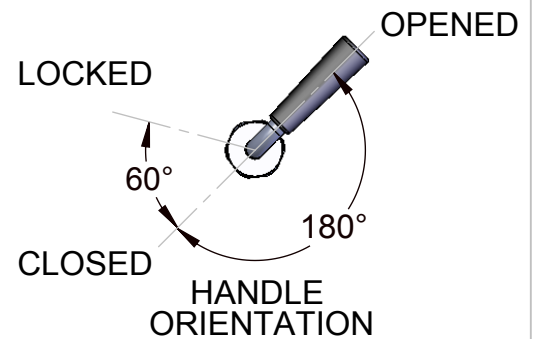
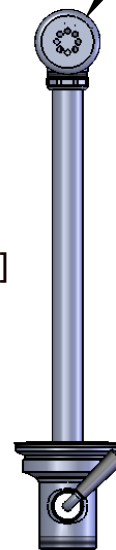
4 1/2"  
[114mm]

2 5/8"  
[67mm]

15 3/8"  
[391mm]

2" NPT Male Thread,  
1-1/2" NPT Female Thread

Ø2" [51mm] Opening Required



Product Specifications:

Rotary Waste Valve w/ Twist Handle, 3 1/2" Sink Opening, 2" Male NPT / 1-1/2" Female NPT Outlet & Overflow Tube w/ Head Asm.

Drawn DHL	Checked JRM	Approved JHB
Scale: 1:8	Date: 3/19/07	



**T&S BRASS AND BRONZE WORKS, INC.**

2 Saddleback Cove / P.O. Box 1088  
Travelers Rest, SC 29690



REG. #A2601  
ISO #9001

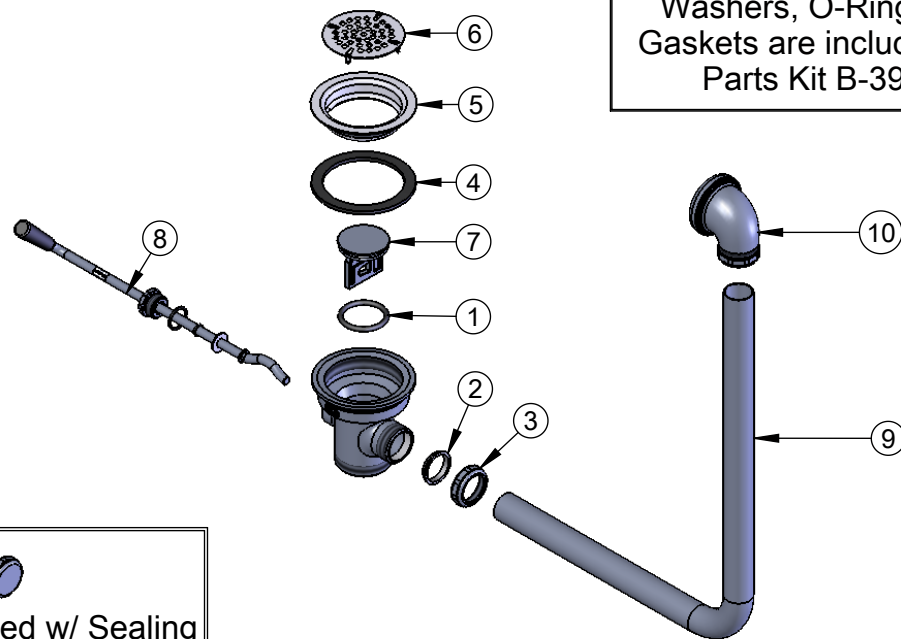
Model No.

**B-3952-01**

Item No.

Travelers Rest, SC: 800-476-4103 Simi Valley, CA: 800-423-0150 Fax: 864-834-3518 www.tsbrass.com

ITEM	SALE NO.	DESCRIPTION
1	010389-45	O-Ring, Plunger
2	010390-45	Ferrule, Coupling Nut
3	010391-45	Nut, Coupling For Twist Drain
4	010382-45	Gasket, 3 1/2" Face Flange
5	010384-45	Flange, 3 1/2" Face
6	010386-45	Strainer, 3 1/2" Snap-in Removable
7	010388-45	Plunger, Twist Drain
8	010393-45	Rod Assembly, Twist
9	011355-45	Tube, Overflow Elbow
10	011356-45	Head Assembly, Overflow Tube



Also Furnished w/ Sealing Cap When Overflow Tube Coupling Nut is Not Used.  
PN# 012640-45

Product Specifications:

Rotary Waste Valve w/ Twist Handle, 3 1/2" Sink Opening, 2" Male NPT / 1-1/2" Female NPT Outlet & Overflow Tube w/ Head Asm.

Drawn DHL	Checked JRM	Approved JHB
Scale: 1:8		Date: 3/19/07