

# Anti-Scale System with Hydroblend Scale Stick

## Installation and User Guide



### The ScaleStick SS-10 w/ HydroBlend™

**Cartridge** prevents limescale build-up while providing corrosion protection for water fed equipment including coffee and espresso machines, dishwashers, tankless water heaters, ice machines, reverse osmosis systems, distillers, misting systems, instant-hot water dispensers. Fits in a Standard 10" Housings.

### Features

**HydroBlend™.** The SS-10 features the Hydroblend™ compound, which is a unique blend that inhibits mineral scale deposits and provides corrosion protection in water-fed equipment. HydroBlend is unaffected by high temperatures unlike standard scale control additives like polyphosphates. The SS-10's patented design dispenses a controlled amount of HydroBlend™ for long-term protection and greater effectiveness of other standard treatments.



**Operation Recommendations.** It is possible for pre-existing scale in your equipment to come loose and clog downstream equipment. Please remove any loose scale before installing the ScaleStick SS-10. Deliming your equipment prior to use is recommended, but it is not required. It is best practice to inspect the ScaleStick cartridge every 6 months. The SS-10 should be replaced before the HydroBlend™ is completely dissolved.

**NSF Certified.** This filter has been certified by NSF International to meet NSF/ANSI Standard 42 for material requirements only.

### Kit Includes:

Number	Description	Qty
1	Scale Stick 10	1
2	NP 10" Standard Housing w/PR 3/4 FPT Blk / Clear	1
3	Mounting Bracket for STD housings	1
4	Male adapters 3/4 CTS x 3/4 NPT	2
5	Housing Wrench	1
6	Screws to mount cap on the bracket	4
7	Teflon Tape	1

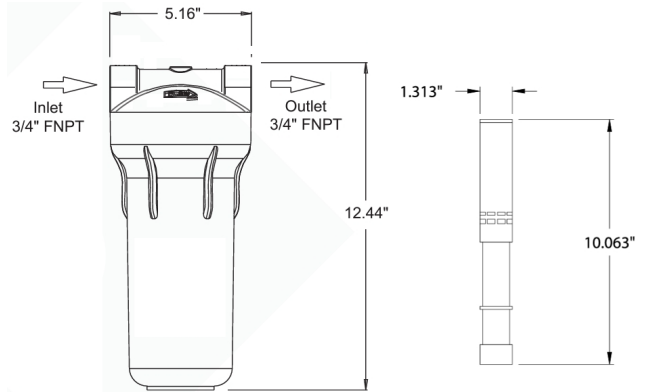
# Anti-Scale System with Hydroblend Scale Stick

## Installation and User Guides



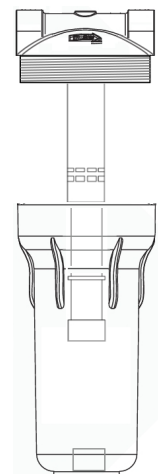
### Installation Precautions:

- Install on cold water line only. Maximum temperature for the housing and ScaleStick is 100°F
- Do not install where the unit could freeze
- Maximum pressure is 90 psi
- Scale Stick is good for flow rates up to 6 gpm



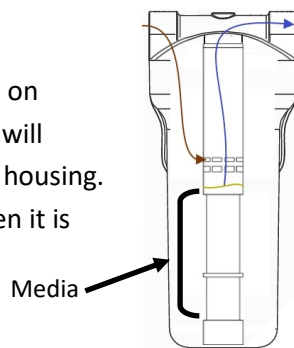
### Installation Steps

1. Locate a spot where the filter housing will be accessible and replacing the cartridge will be easily accomplished. Make sure you will have 6-10" of vertical clearance below the housing cap.
2. Assemble the mounting bracket to the housing cap so the flow direction of the cap matches how your plumbing flows.
3. Mount the bracket with the cap now attached to a flat wall surface so that the housing will screw onto the cap vertically from below.
4. Install the male adapters into the inlet and outlet ports of the cap using a few wraps of Teflon tape on the threads. Be careful to not over tighten.
5. Turn the water off and make plumbing connections. Included adapters will work with Pex, CPVC or Copper. If threading copper directly to cap, be sure and solder parts before threading into the plastic cap.
6. Install the ScaleStick by inserting the top of the stick in the cap
7. Screw housing sump up on the cap. The housing sump only needs to be hand tight, do not use the wrench to tighten.
8. Slowly turn water back on and check for leaks.
9. The ScaleStick does not need to be flushed



### Replacement Cycle:

Frequency of replacement will vary based on water usage. The media in the ScaleStick will slowly dissolve as water flow through the housing. Watch the level of media and replace when it is almost depleted.



Push the ScaleStick's o-ring end onto the center port in the cap



Push it on until it contacts the cap