



T&S BRASS AND BRONZE WORKS, INC.

2 Saddleback Cove / P.O. Box 1088
Travelers Rest, SC 29690

Model No.

B-1111

Item No.

Travelers Rest, SC: 800-476-4103 • Simi Valley, CA: 800-423-0150 • Fax: 864-834-3518 • www.tsbrass.com

This Space for Architect/Engineer Approval

Job Name _____ Date _____

Model Specified _____ Quantity _____

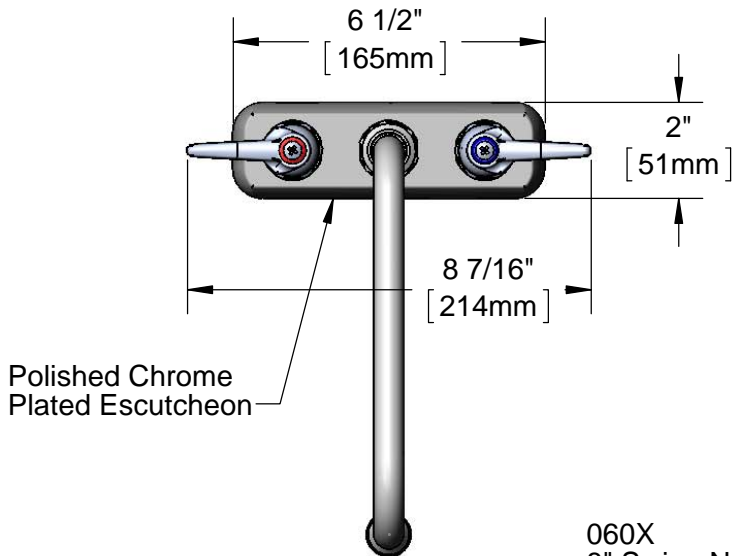
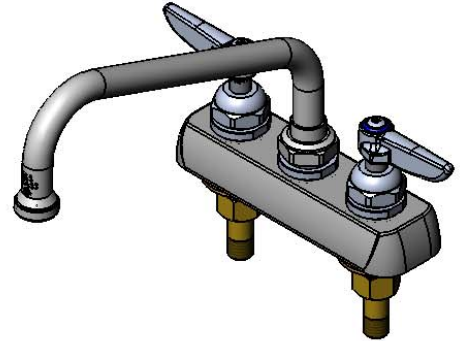
Customer/Wholesaler _____

Contractor _____

Architect/Engineer _____



ADA Compliant



Polished Chrome Plated Escutcheon

Lever Handles w/ Color Coded Indexes

060X 8" Swing Nozzle w/ Stream Regulator Outlet

Swivel Joint

1" [25mm]

Mounting Surface

1" [25mm]

4" [102mm]

1/2" NPT Male Shank Inlets

1/4" [6mm] Maximum Thickness

(2) 150A Optional Tailpiece & Nut for 1/4" NPT Connection (Included)

Rough-In Requirement:
(2) Ø 1" [25mm] Mounting Holes

Product Specifications:
4" Workboard Faucet w/ 1/2" NPT Male Shank Inlets, Lever Handles & 8" Swing Nozzle w/ B-PT Stream Regulator Outlet

Drawn
KJG

Checked
JRM

Approved
JHB

Scale:
1:4

Date:
05/30/12

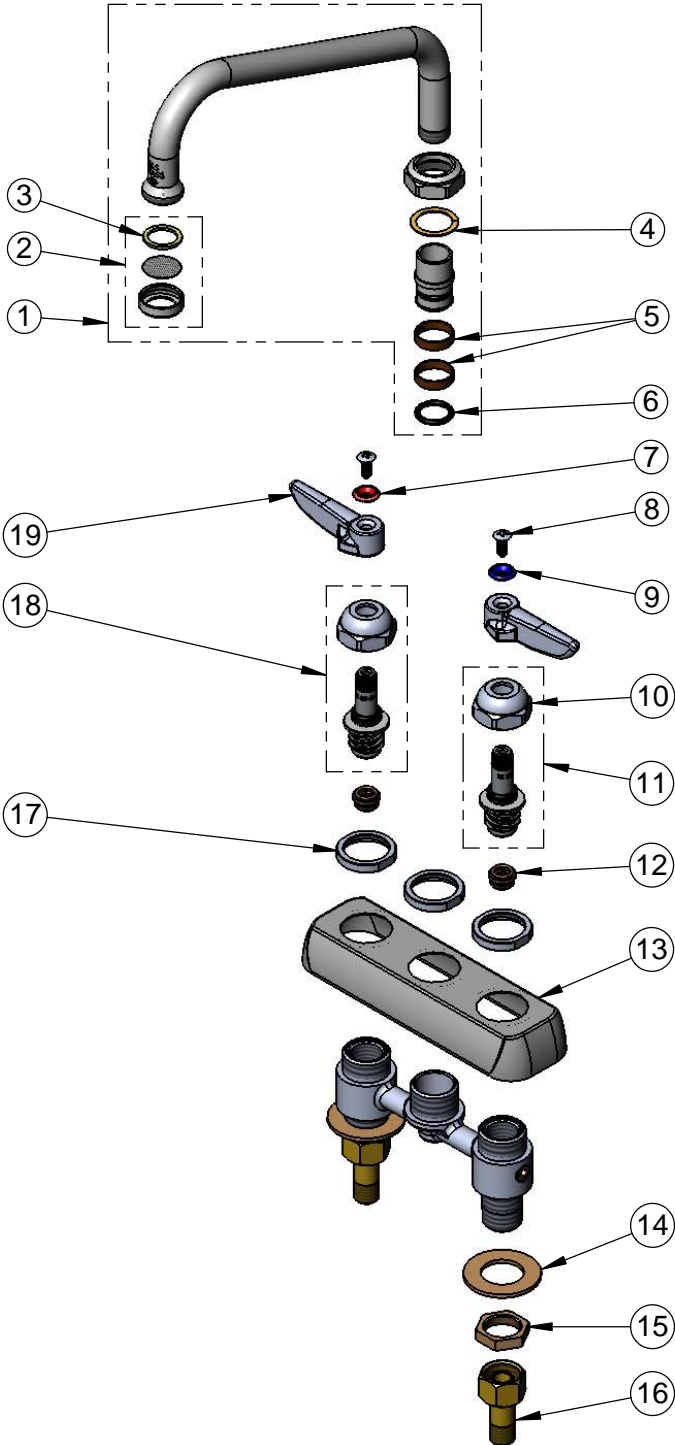


T&S BRASS AND BRONZE WORKS, INC.
 2 Saddleback Cove / P.O. Box 1088
 Travelers Rest, SC 29690

Model No.
B-1111

Item No.

Travelers Rest, SC: 800-476-4103 • Simi Valley, CA: 800-423-0150 • Fax: 864-834-3518 • www.tsbrass.com



ITEM NO.	SALES NO.	DESCRIPTION
1	060X	8" Swing Nozzle w/ B-PT Stream Regulator Outlet
2	B-PT	Stream Regulator Outlet
3	001048-45	Nozzle Tip Washer
4	009538-45	Swivel Washer
5	011429-45	Swivel Sleeves (2)
6	001074-45	O-Ring
7	001661-45	Red Index-HW
8	000922-45	Lever Handle Screw
9	001660-45	Blue Index-CW
10	009749-25	Bonnet Nut
11	009754-25	B-1100 Spindle Assembly, LTC
12	000763-20	Seat
13	001258-40	Escutcheon
14	000999-45	Brass Lock Washer
15	002954-45	Shank Lock Nut
16	150A	Bag of (1) Nut & (1) Tailpiece
17	000712-25	Escutcheon Lock Nut
18	009753-25	B-1100 Spindle Assembly, RTC
19	001638-45	Lever Handle

Product Specifications:
 4" Workboard Faucet w/ 1/2" NPT Male Shank Inlets,
 Lever Handles & 8" Swing Nozzle w/ B-PT Stream Regulator
 Outlet

Drawn KJG	Checked JRM	Approved JHB
Scale: NTS		Date: 05/30/12