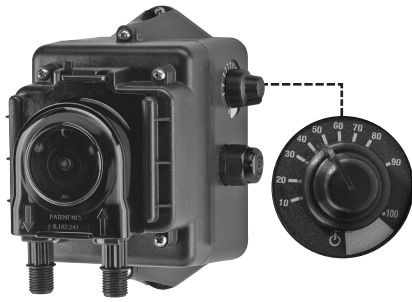
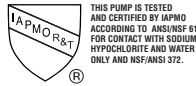


ECON LD SERIES SPECIFICATIONS

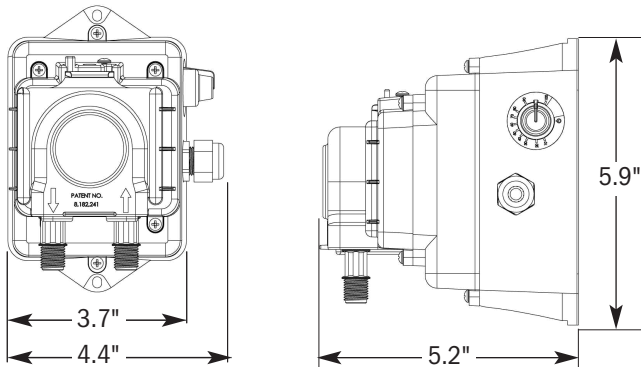
STENNER PUMPS®



Shipping Weight 4 lbs (1.6 kg)



Listings vary by model



SPECIFICATIONS

- Output Control** Potentiometer, 50:1 turndown
- Reproducibility** ±2%
- Maximum Working Pressure** 80 psi (5.5 bar)
- Maximum Operating Temperature** 104°F (40°C)
- Maximum Suction Lift** 25 ft (7.6 m) vertical lift, based on water
- Motor Type** 24VDC, brushless
- Shaft RPM (average maximum)** 17
- Duty Cycle** Continuous
- Maximum Viscosity** 50 Centipoise
- Motor Voltage** 120V 60Hz (0.25A), 230V 60Hz (0.17A), 230V 50Hz (10W), 24VDC (0.5A)
- Power Cord Type** 120V 60Hz, 230V 60Hz: SJTOW, 230V 50Hz: H05RN-F, 24VDC pigtail
- Power Cord Plug End** 120V 60Hz NEMA 5-15P, 230V 60Hz NEMA 6-15P, 230V 50Hz CEE7/7, 24VDC pigtail
- Power Cord Length** 6 ft (1.8 m) or 24VDC Pigtail 1 ft (30.5 cm)
- Classification** Indoor & outdoor

MATERIALS OF CONSTRUCTION

- All Housings** Polycarbonate
- Pump Tube & Check Valve Duckbill** Santoprene® (FDA approved)
- Pump Head Rollers** Polyethylene
- Suction/Discharge Tubing, Ferrules** Polyethylene (FDA approved)
- Tube and Injection Fittings** PVC or Polypropylene (both NSF listed)
- Connecting Nuts** PVC or Polypropylene (both NSF listed)
- Suction Line Strainer and Cap** PVC or Polypropylene (both NSF listed); ceramic weight
- All Fasteners** Stainless steel

ACCESSORIES

- 3** Connecting nuts 1/4"
- 3** Ferrules 1/4"
- 1** Duckbill check valve
- 1** Weighted suction line strainer 1/4"
- 1** 20' Roll suction/discharge tubing 1/4" white OR 6 mm White *Europe*
- 1** Additional pump tube
- 1** Manual

* Santoprene® is a registered trademark of Exxon Mobil Corporation.

FEATURES

- Manually adjustable flow rate output
- Enclosed housing
- Self-priming, does not lose prime or vapor lock
- Pumps off-gassing solutions and can run dry
- 3-point roller design assists with anti-siphon
- Tube replacement without tools
- Output reproducibility
- Tube lubrication not required

FLOW RATE OUTPUT CHART

80 psi (5.5 bar) maximum

Item Number Prefix	Pump Tube	Roller Assembly	Turndown Ratio	Ounces per Hour	Milliliters per Hour
E10LHM	M	White	50:1	0.04 to 2.4	1.3 to 70.0
E10LHF	F	White	50:1	0.11 to 8.1	3.2 to 240.0
E10LHG	G	Black	50:1	0.50 to 25.1	14.8 to 742.3
E10LHH	H	Black	50:1	1.01 to 50.7	29.7 to 1499.4
Approximate Maximum Output @ 50/60Hz					

NOTICE: The information within this chart is solely intended for use as a guide. The output data is an approximation based on pumping water under a controlled testing environment. Many variables can affect the output of the pump. Stenner Pump Company recommends that all metering pumps undergo field calibration by means of analytical testing to confirm their outputs.