

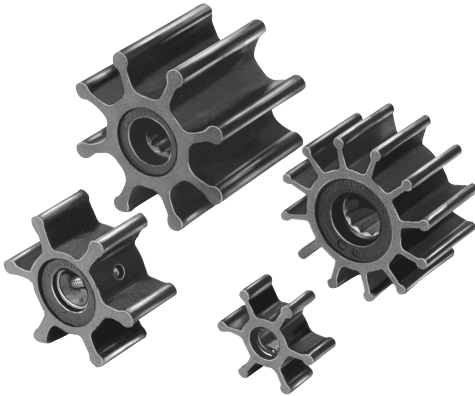
SPXFLOW

INSTRUCTION MANUAL

Impeller Identification Guide

IB-506 R03 (11/2019)

ORIGINAL INSTRUCTIONS/TRANSLATION OF ORIGINAL INSTRUCTIONS
READ AND UNDERSTAND THIS MANUAL PRIOR TO OPERATING OR
SERVICING THIS PRODUCT



› Johnson Pump®

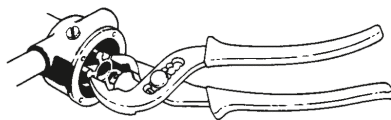
Impeller Identification Guide

Take good care of the cooling system -change to a new impeller every year

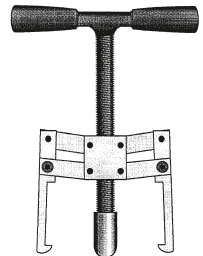
The impeller is a very important security device. Its task is to pump the water through the cooling system of the engine. But remember that the impeller should be replaced every year. And always make sure you get a SPX FLOW Johnson Pump original impeller. Then you'll know that it matches your pump exactly.

This is how to remove the old impeller

Remove the impeller with a slip joint plier or a SPX FLOW Johnson Pump Impuller.

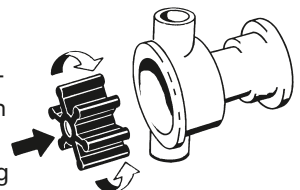


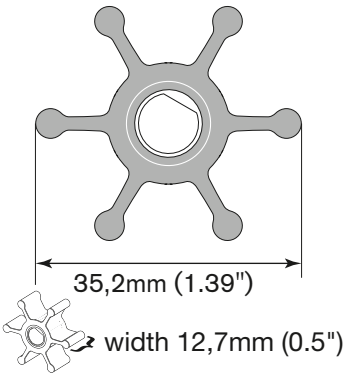
Order No.
09-950-9300 – Impuller



This is how to fit the new one

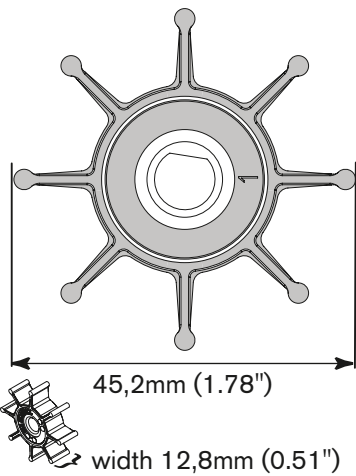
Lubricate the shaft and the inside of the pump body and endcover. Use soap or SPX FLOW Johnson Pump Lubricant 01-46968. By doing so you avoid dry friction when you start the engine. Mount the impeller by making a pushing and twisting movement in the rotating direction.





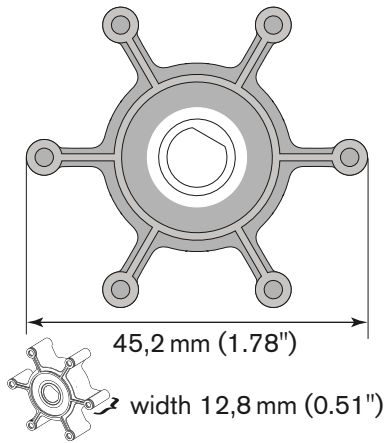
F2

Impeller article number
09-1077B-9
Nitrile (oil resistant)



F3

Impeller article number
09-843S-9
Nitrile (oil resistant)
F3B-19



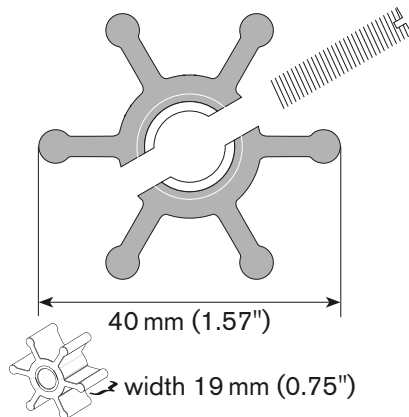
F3

Impeller article number

09-1052S-9

Nitrile (oil resistant)

TA3P10/F3P10



F35

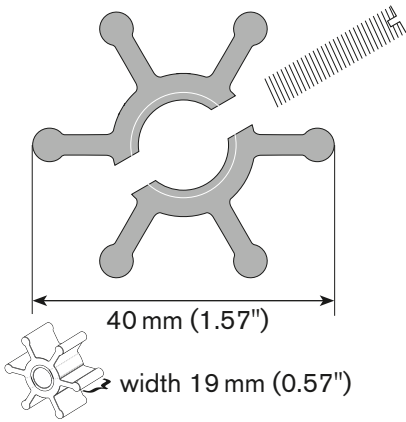
Impeller article number

09-806B-1

MC97 (for cooling)

replaces Jabsco 4528-0001

Europe & USA



F35

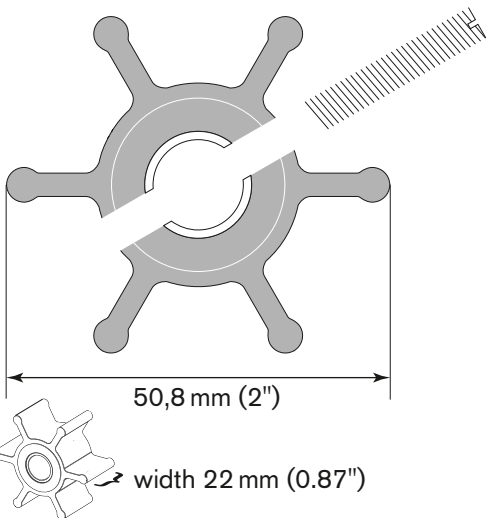
Impeller article number

09-808B-1

MC97 (for cooling)

replaces Jabsco 22405-0001

Europe & USA



F4

Impeller article number

09-810B-1

MC97 (for cooling)

replaces Jabsco 18653-0001

Europe & USA

Impeller article number

09-810B-9

Nitrile (oil resistant)

inner diameter 12 mm

F4

Impeller article number

09-1026B-1

MC97 (for cooling)

replaces Jabsco 673-0001

Europe & USA

Impeller article number

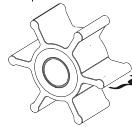
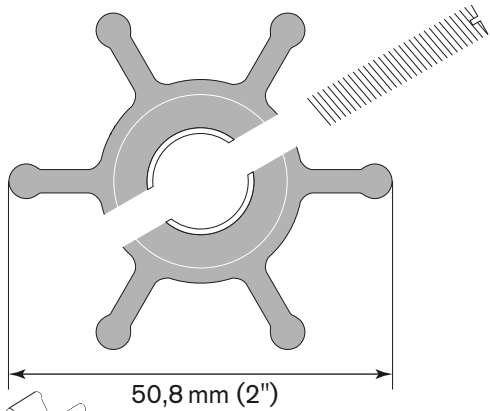
09-1026B-9

Nitrile (oil resistant)

replaces Jabsco 673-0003

Europe & USA

inner diameter 12,7 mm



width 22 mm (0.87")

F4

Impeller article number

09-824P-9

Nitrile (oil resistant)

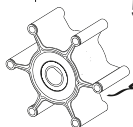
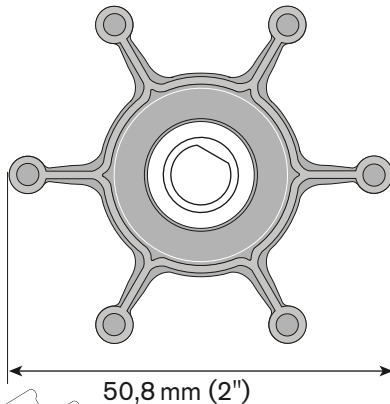
replaces Jabsco 6303-0003

Europe & USA

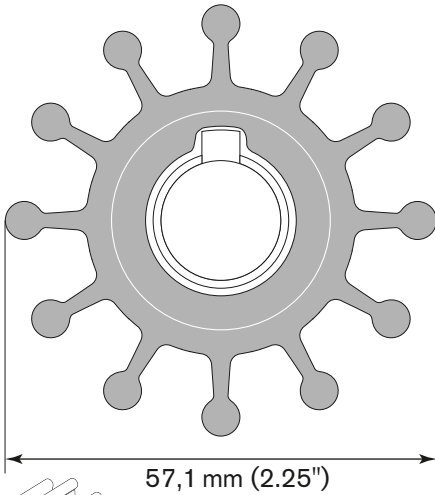
Impeller article number

09-824P-1

MC97 (Ultra Ballast)



width 22 mm (0.87")



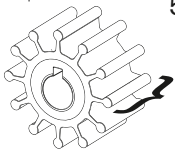
F5

Impeller article number

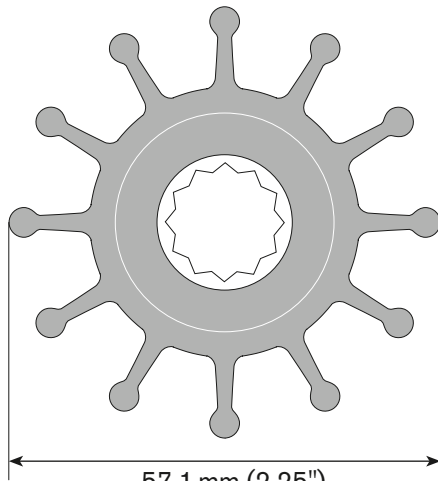
09-801B

Neoprene (for cooling)

replaces Jabsco 4568-0001



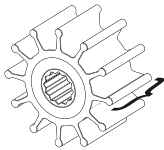
width 31,5 mm (1.24")



F5

57,1 mm (2.25")

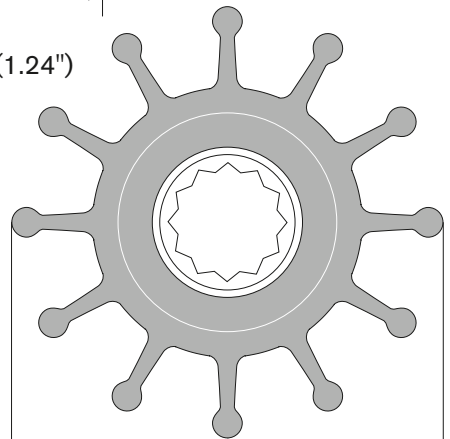
width 31,5 mm (1.24")



Impeller article number
09-1027B-1
MC97 (for cooling)
replaces Jabsco 1210-0001
Europe & USA

Impeller article number
09-1027B-9
Nitrile (oil resistant)
replaces Jabsco 1210-0003
Europe & USA

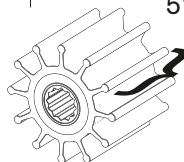
Impeller article number
09-1027B-10
MC97 (for cooling)



F6

57,1 mm (2.25")

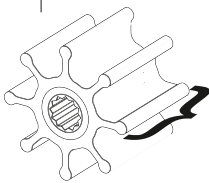
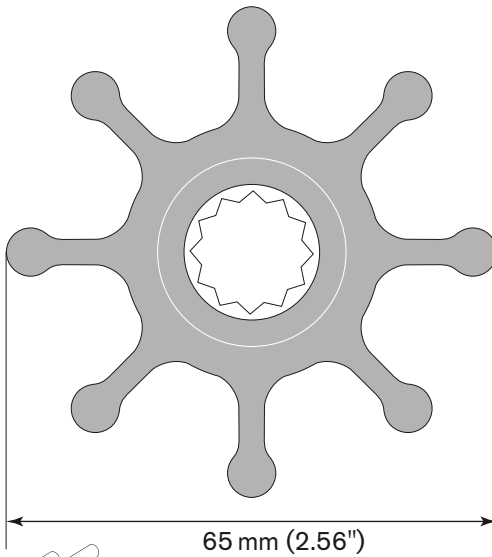
width 48,2 mm (1.9")



Impeller article number
09-812B-1

MC97 (for cooling)
replaces Jabsco 13554-0001 USA

F7



width 50,2 mm (1.98")

Impeller article number

09-1028BT-1

MC97 (for cooling)

replaces Jabsco 17937-0001

Europe & USA

Impeller article number

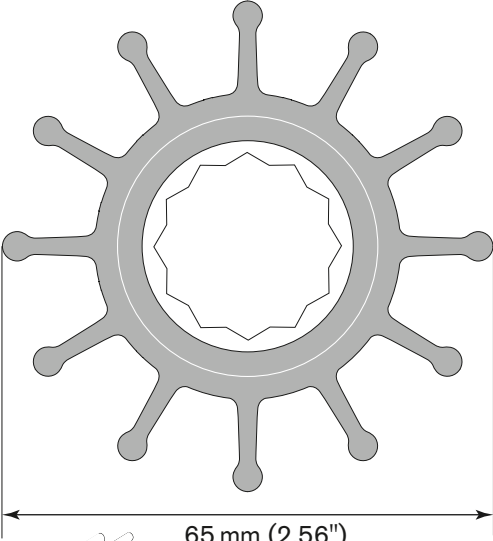
09-1028B-9

Nitrile (oil resistant)

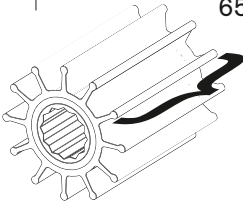
replaces Jabsco 17937-0003

Europe & USA

F75



65 mm (2.56")



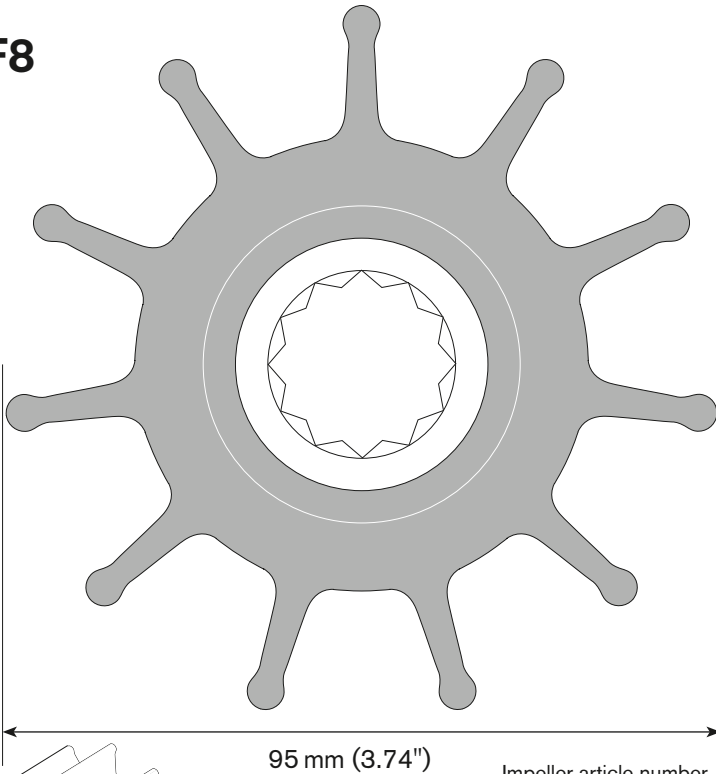
width 80 mm (3.15")

Impeller article number

09-821BT-1

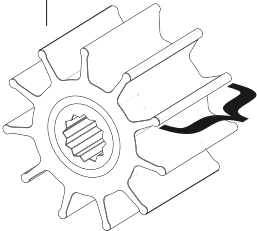
MC97 (for cooling)

F8



95 mm (3.74")

width 63 mm (2.48")



Impeller article number

09-819B

Neoprene (for cooling)

replaces Jabsco 836-0001 Europe

17935-0001 USA

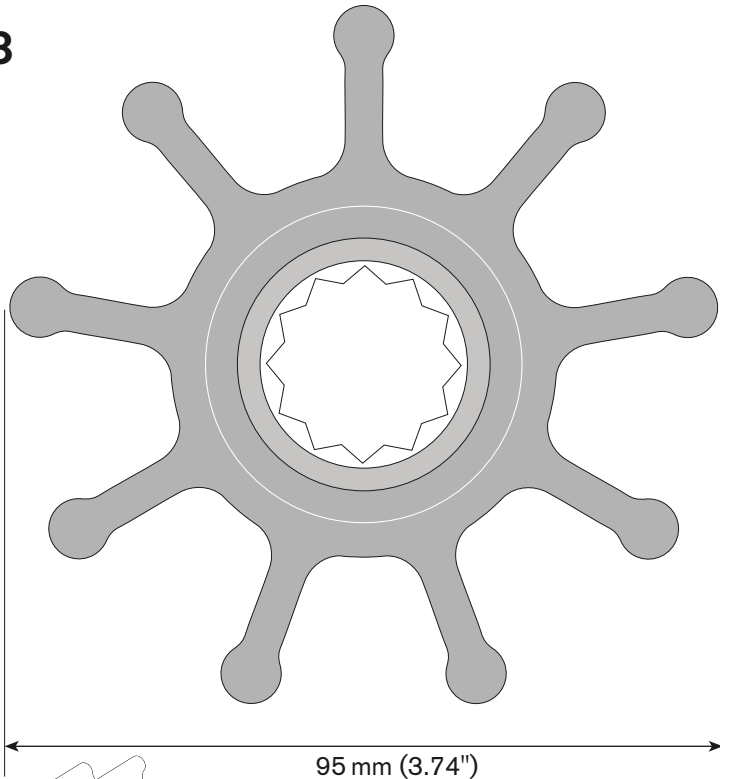
Impeller article number **09-819B-9**

Nitrile (oil resistant)

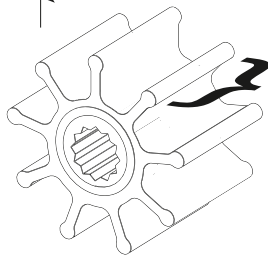
replaces Jabsco 836-0003 Europe

17935-0003 USA

F8



95 mm (3.74")



width 63 mm (2.48")

Impeller article number

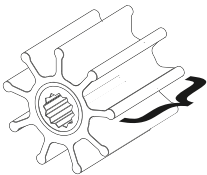
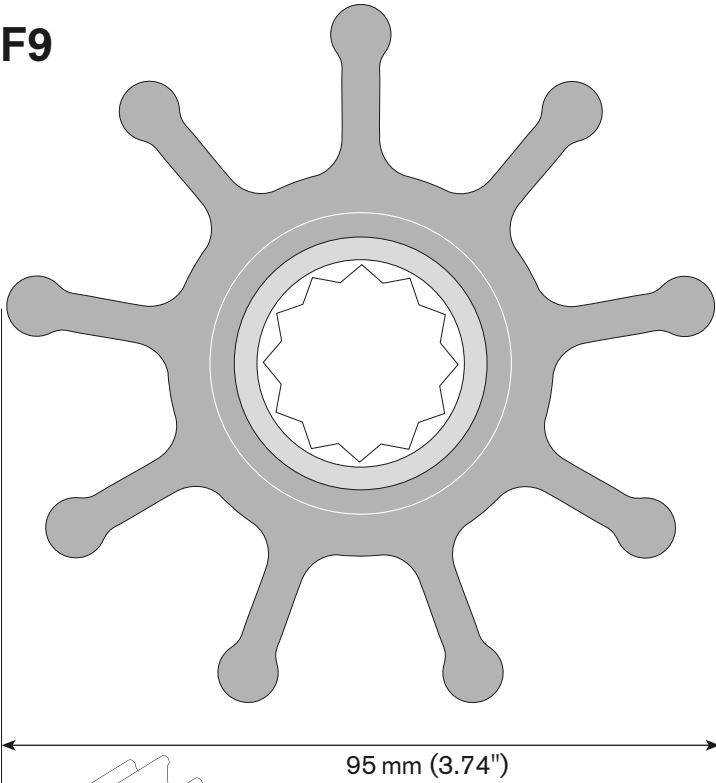
09-1029B

Neoprene (for cooling)

replaces Jabsco 836-0001 Europe

17935-001 USA

F9



width 88,5 mm (3.48")

Impeller article number

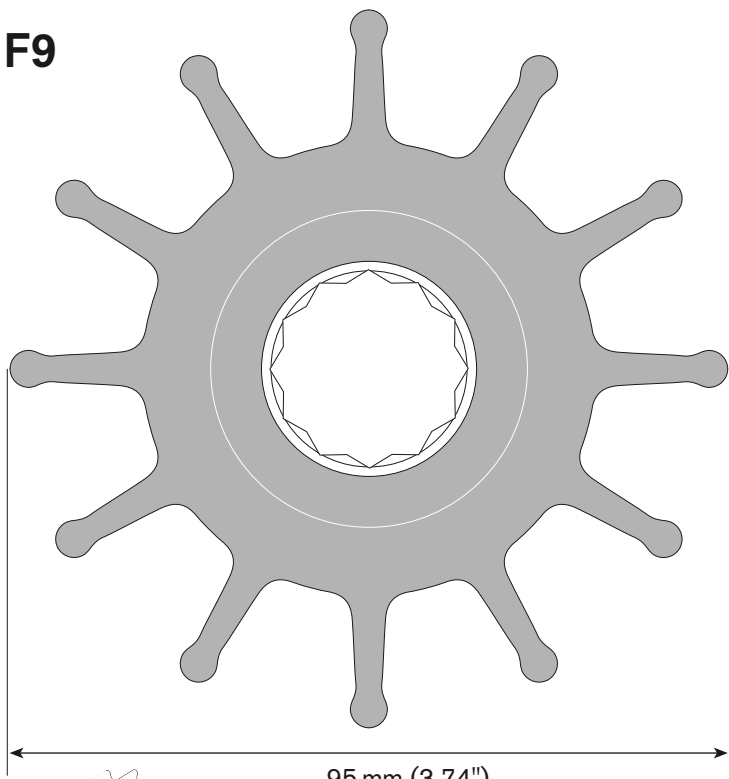
09-802B

Neoprene (for cooling)

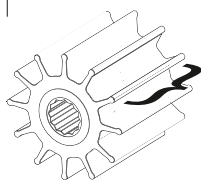
replaces Jabsco 6760-0001

Europe & USA

F9



95 mm (3.74")



width 88,5 mm (3.48")

Impeller article number

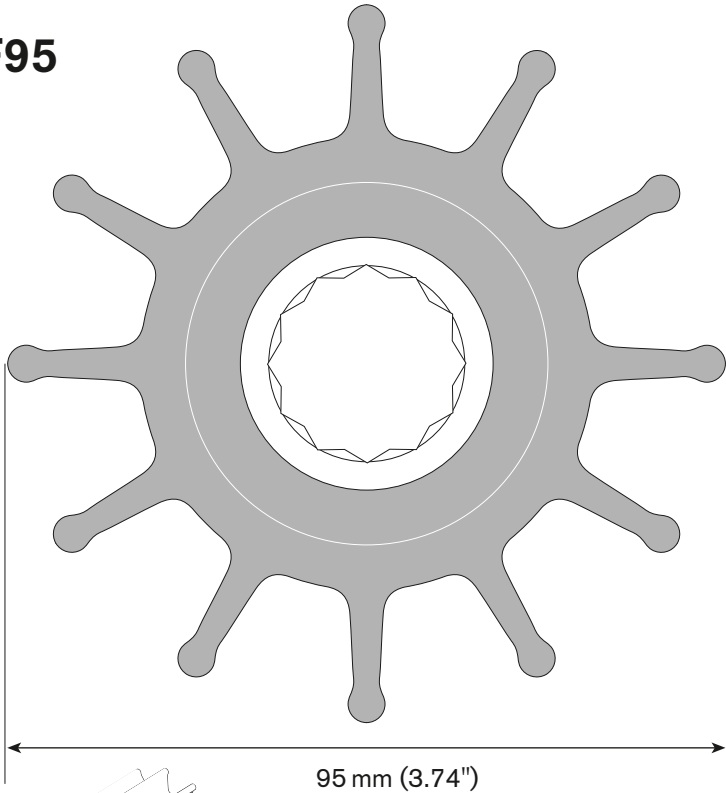
09-814B

Neoprene (for cooling)

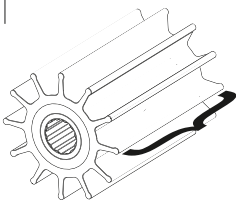
replaces Jabsco 21676-0001 Europe

17936-0001 USA

F95



95 mm (3.74")



width 130 mm (5.12")

Impeller article number

09-820B

Neoprene (for cooling)

SPXFLOW

Impeller Identification Guide

Customer Service & Support - Johnson Pump Marine



SE +46 19 21 83 10
johnson-pump.marine@spxflow.com

US +1 847 671-7867
jp-customerservice@spxflow.com

AUS +61 03 9589 9222
ft.aus.cs@spxflow.com

For more information about our worldwide locations, approvals, certifications, and local representatives, visit Johnson Pump - Marine at www.spxflow.com

SPX FLOW, Inc. reserves the right to incorporate our latest design and material changes without notice or obligation.

Design features, materials of construction and dimensional data, as described in this bulletin, are provided for your information only and should not be relied upon unless confirmed in writing. Please contact your local sales representative for product availability in your region. For more information visit www.spxflow.com.

The green "➤" and "✕" are trademarks of SPX FLOW, Inc.
