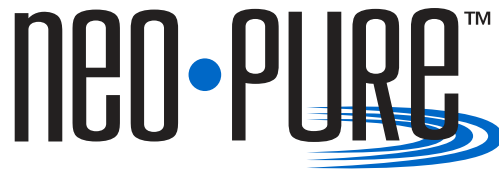


K-NPQ2

2-Stage Quick Change Water Cooler Filter Kit



*Residential / Commercial
Filtration Applications*

Standard Features

- Manufactured in USA
- NP-QCB01PB 1 micron (nominal) filter for sediment, chlorine taste and odor, cysts, and lead
- NP-QSED5 dedicated 5 micron (nominal) sediment prefilter
- Designed for water coolers using cold and/or room temperature water
- NP-QCB01PB cartridge is tested and certified to NSF Standard 42 and 53
- Kit includes: double filter mounting bracket with mounting screws, NP-QCB01PB filter, NP-QSED5 prefilter, 25 ft. x 1/4" tubing and C clamps, 1/4" inline shutoff ball valve, and cable ties to fasten head assembly to back of cooler. DOES NOT include a feed supply adapter.

To add a scale inhibitor, order the Neo-Pure K-NPQ2-S

Applications:

- Drinking Water Systems
- Water Cooler Filter Systems



Tested and certified to NSF Standard 42 and 53. Only applies to NP-QCB01PB filter cartridge. Does not apply to K-NPQ2 system.

K-NPQ2 Specifications

Filter Capacity

1250 gallons for lead, 2500 gallons for chlorine reduction

Flow Rate

0.5 gpm

Connection Type

1/4" quick connect

Operating Temperature

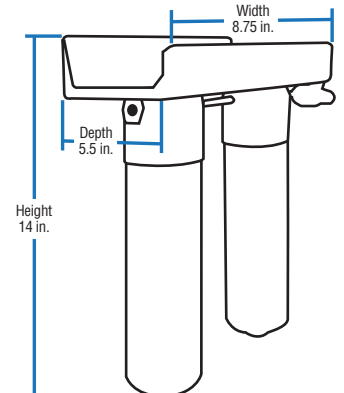
35-100°F

Operating Pressure

(Maximum)
125 psi

Height, Width, Depth

14"H x 8-3/4"W x 5-1/2"D



WARNING:

Do not use with water that is microbiologically unsafe or of unknown quality without adequate disinfection before or after the system.



NP-QCB01PB Specifications

Contaminants Reduced

Chlorine taste and odor, lead, and cysts

Filter Media

Coconut shell carbon block

Filter Capacity

1250 gallons for lead, 2500 gallons for chlorine reduction

Micron Rating (Nominal)

1 micron

Flow Rate

0.5 gpm

Certification

NSF Standard 42 and 53

Housing Material

Plastic

Dimensions

10"H x 2-1/2" diameter

Connection Type

1/4" quick connect

Operating Temperature

35-100°F

Operating Pressure (Maximum)

125 psi



NP-QSED5 Specifications

Contaminants Reduced

Sediment, dirt and rust

Filter Media

Spun bonded polypropylene

Filter Capacity

1250 gallons

Micron Rating (Nominal)

5 microns

Flow Rate

0.5 gpm

Certification

NSF Standard 42 and 53

Housing Material

Plastic

Dimensions

10"H x 2-1/2" diameter

Connection Type

1/4" quick connect

Operating Temperature

35-100°F

Operating Pressure (Maximum)

125 psi

DISTRIBUTED BY: